

- [54] GRILL PLATE FOR A COOKING UTENSIL
- [75] Inventor: Tetsuro Mizoguchi, Fort Lee, N.J.
- [73] Assignee: Sanyei Corporation, Tokyo, Japan
- [**] Term: 14 Years
- [21] Appl. No.: 704,418
- [22] Filed: Jul. 12, 1976

"Little Mac", by Hamilton Beach, Round and Square Grids.

Primary Examiner—Winifred E. Herrmann
Attorney, Agent, or Firm—Sidney G. Faber

[57] CLAIM

The ornamental design for a grill plate for a cooking utensil, as shown and described.

Related U.S. Application Data

- [63] Continuation-in-part of Ser. No. 677,568, Apr. 16, 1976.
- [51] Int. Cl. D7-02
- [52] U.S. Cl. D7/129; D7/88
- [58] Field of Search D7/85, 86, 87, 88, 89, D7/91, 92, 94, 95, 96, 97, 41, 136, 129; 99/372, 374, 380, 426; 219/524, 525

DESCRIPTION

FIG. 1 is a top plan view of a grill plate for a cooking utensil, showing my new design;
FIG. 2 is a bottom plan view thereof;
FIG. 3 is a cross-sectional view thereof, taken on line 3-3 of FIG. 1; and
FIG. 4 is a cross-sectional view thereof, taken on line 4-4 of FIG. 1.

The characteristic feature of the design comprises on one side of the grill plate an upstanding, relatively rectangularly shaped rib surrounding two circular shaped upstanding ribs, wherein the circular ribs intersect one another and each intersects three of the four sides of the rectangularly shaped rib.

Within each circular upstanding rib there are elongated, radially extending grooves, each of which intersect a respective one of the annular array of holes.

[56] References Cited
U.S. PATENT DOCUMENTS

D. 194,336	1/1963	Cornwell	D7/94
D. 231,069	4/1974	Boldt	D7/94
2,314,872	3/1943	Dickey	D7/88 X
4,011,431	3/1977	Levin	219/524

OTHER PUBLICATIONS

Insert From Home Furnishings Daily, 7-14-75, Sec. 2,

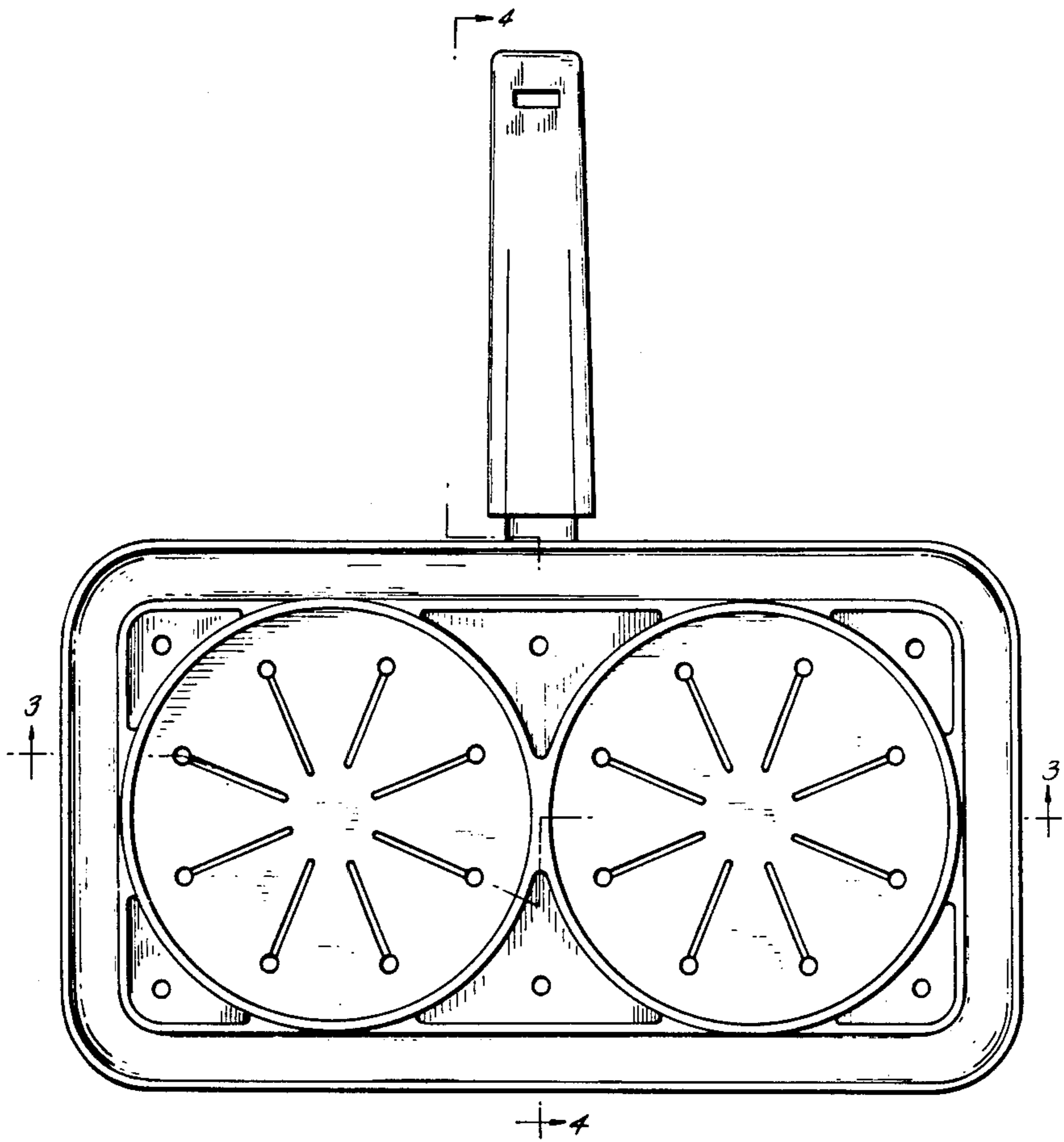


FIG. 1.

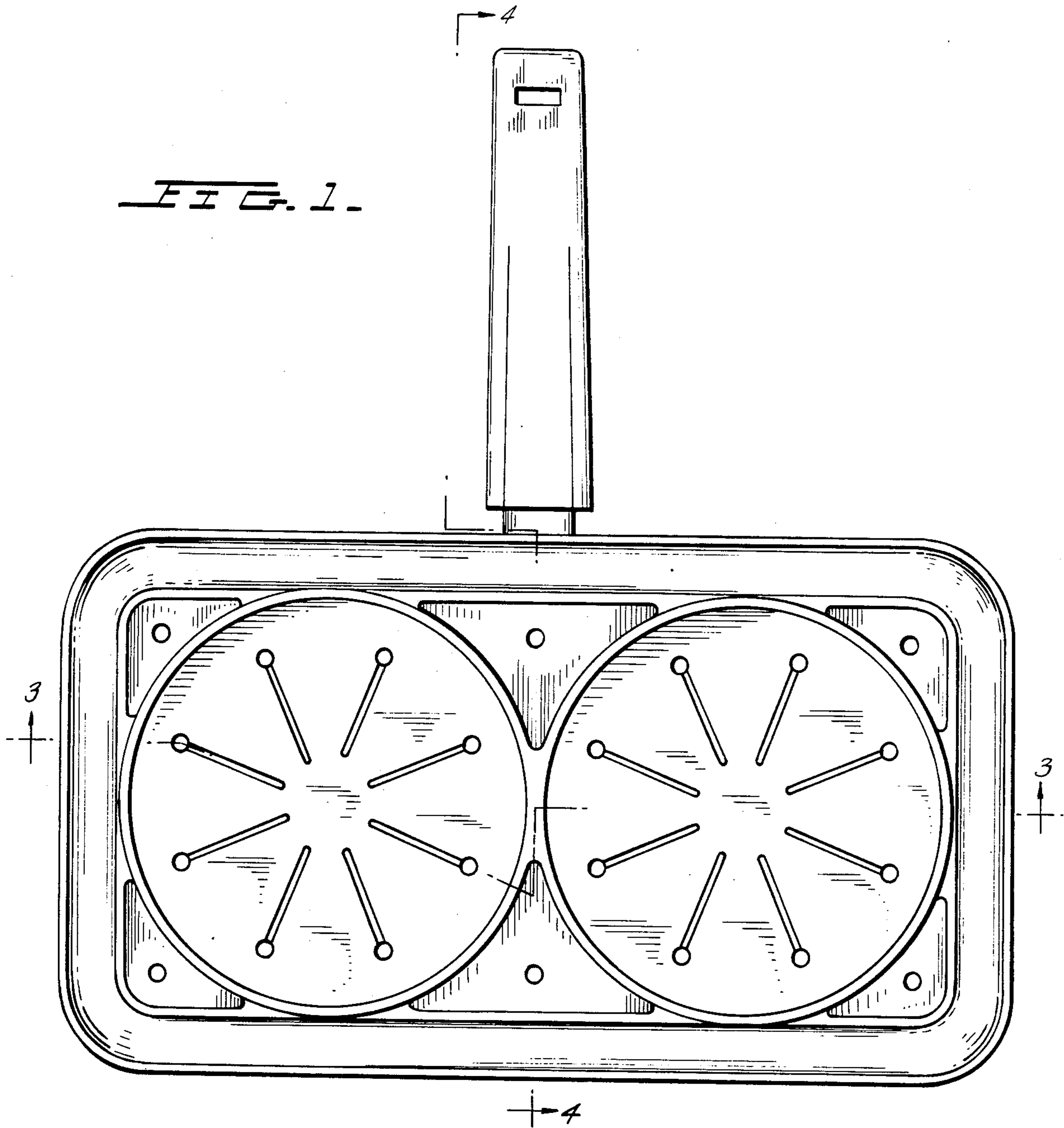


FIG. 3.

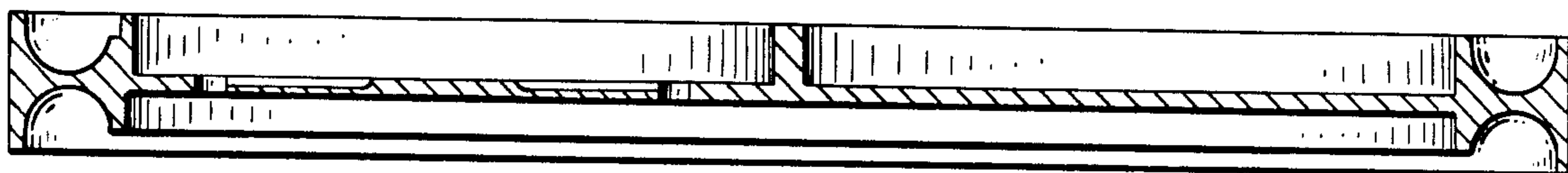


FIG. 2.

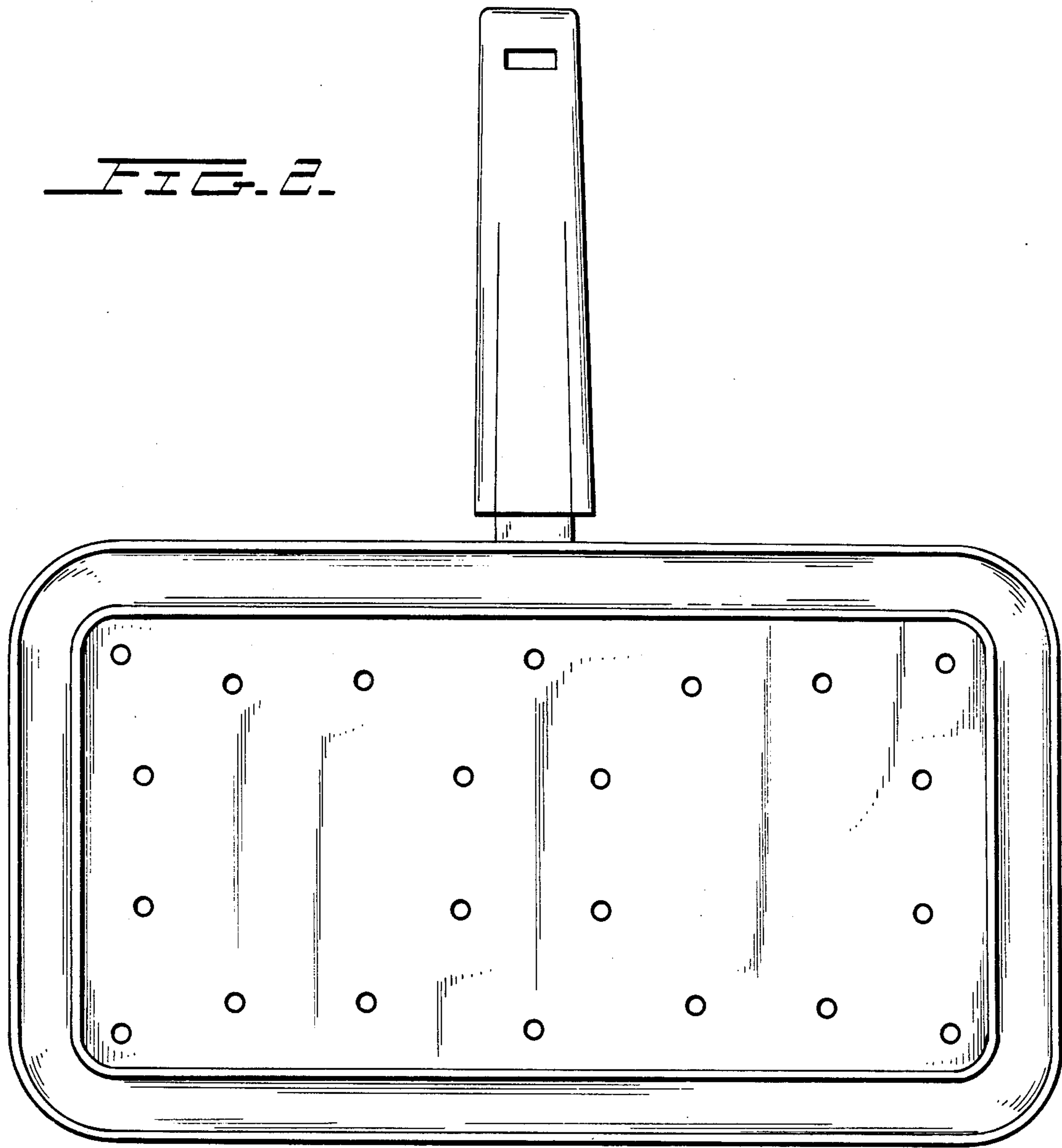


FIG. 4.

