

[54] CHAIR SHELL

[75] Inventor: Ronald Henry Day, London,
England

[73] Assignee: Hille International Limited, Watford,
England

[**] Term: 14 Years

[21] Appl. No.: 621,345

[22] Filed: Oct. 10, 1975

[30] Foreign Application Priority Data

Jun. 6, 1975 [GB] United Kingdom 971367/75

[51] Int. Cl. D6—06

[52] U.S. Cl. D6/197; D6/66;
D6/76

[58] Field of Search D6/66, 67, 48, 48.1,
D6/65, 70, 197

[56] References Cited

U.S. PATENT DOCUMENTS

D. 178,880	10/1956	Hauser	D6/66
D. 199,304	10/1964	Rhoades	D6/66 X
D. 200,638	3/1965	Midyette, Jr.	D6/66
D. 239,234	3/1976	Gamble et al.	D6/47

OTHER PUBLICATIONS

Design Cat., Oct. 1958, p. 33, Seat Shell in Panel No. 22.

Primary Examiner—Bruce W. Dunkins

Attorney, Agent, or Firm—Harry G. Shapiro

[57] CLAIM

The ornamental design for a chair shell, as shown.

DESCRIPTION

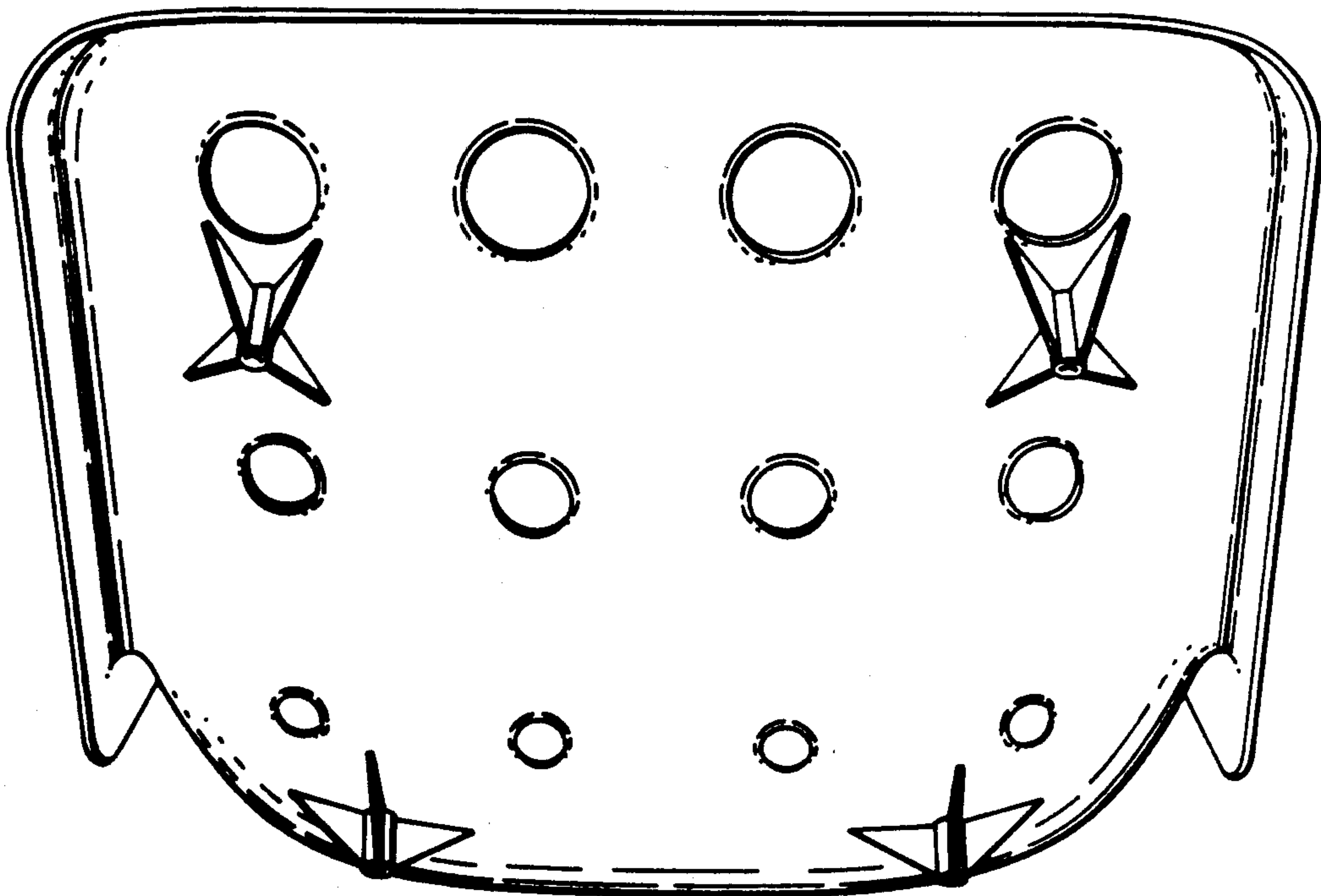
FIG. 1 is a side perspective view of a chair shell showing my design;

FIG. 2 is a front perspective view from above;

FIG. 3 is a plan view;

FIG. 4 is a rear view; and

FIG. 5 is an underneath perspective view.



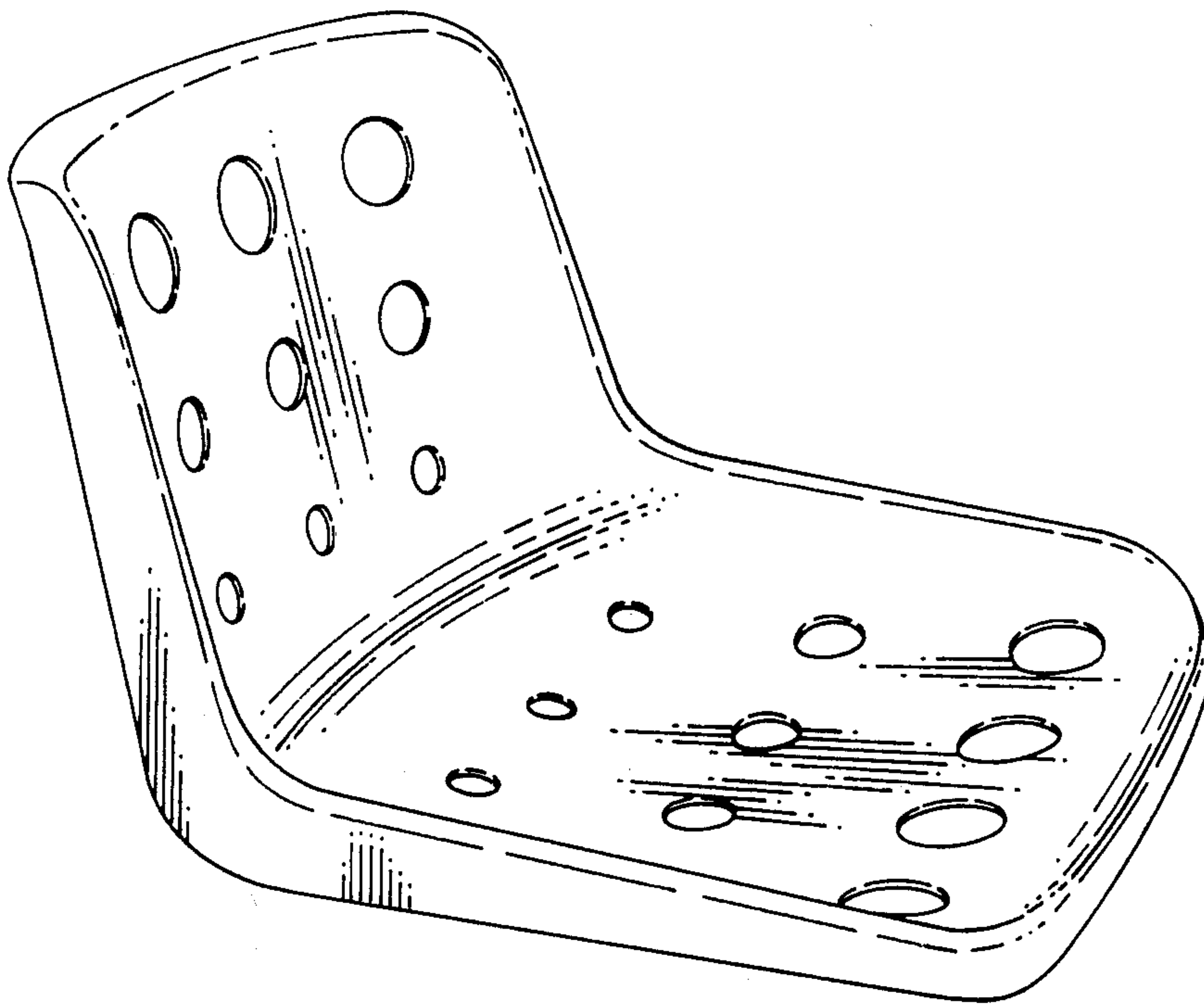


Fig. 1.

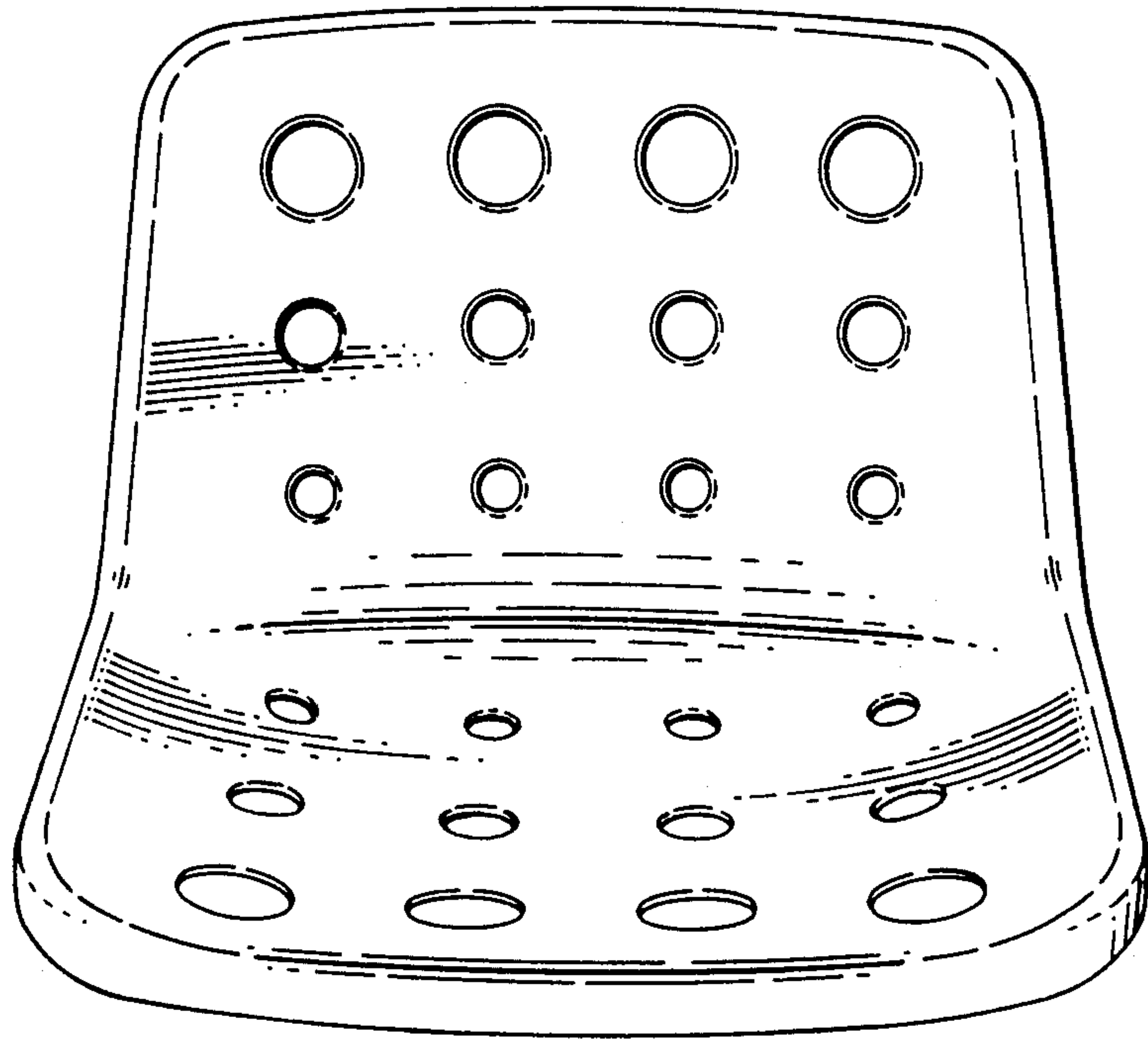


Fig. 2.

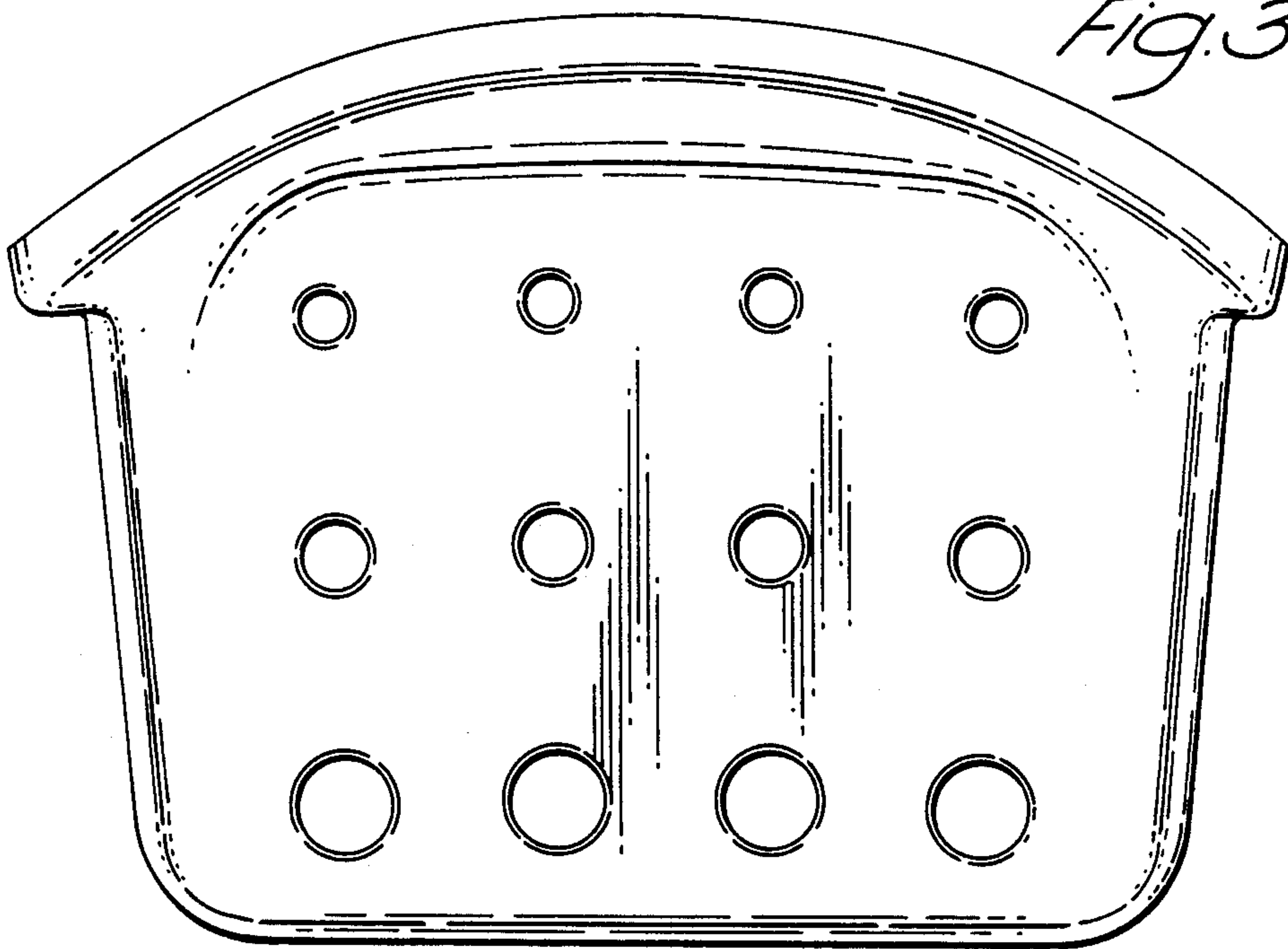


Fig. 3.

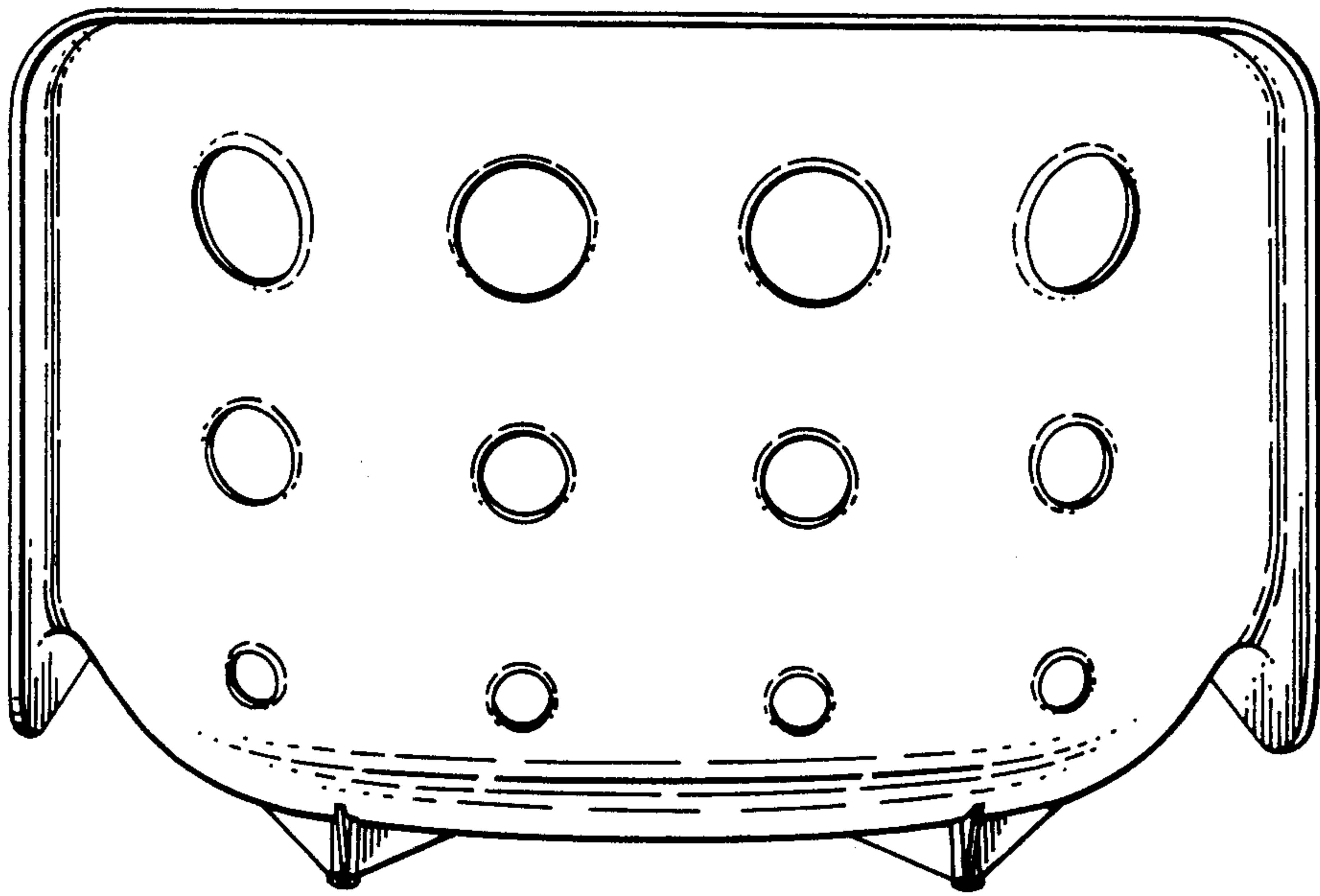


FIG. 4.

FIG. 5.

