

[54] DISPLAY RACK

[76] Inventor: John C. Kailey, 9261 Elben Pl., Sun Valley, Calif. 91352

[**] Term: 14 Years

[21] Appl. No.: 712,531

[22] Filed: Aug. 9, 1976

[51] Int. Cl. D20-02; D6-04

[52] U.S. Cl. D6/188; D6/85;
D6/114

[58] Field of Search D6/20, 25, 28, 29, 85,
D6/114, 116, 127-130, 140, 146, 132, 136, 152,
158, 167, 172, 175, 186, 188, 189; 211/13, 32,
14, 45, 49 R, 49 S, 87, 88, 105.1, 106, 123, 129,
131, 163, 169, 181, 182

[56] References Cited

U.S. PATENT DOCUMENTS

D. 152,688	2/1949	Hammond	D6/85
D. 212,291	9/1968	Hamilton et al.	D6/85
3,036,750	5/1962	Lombardi	211/181
4,002,241	1/1977	Parrilla	211/14

Primary Examiner—Wallace R. Burke

Assistant Examiner—B. J. Bullock

Attorney, Agent, or Firm—Robert T. Merrick

[57] CLAIM

The ornamental design for a display rack, as shown and described.

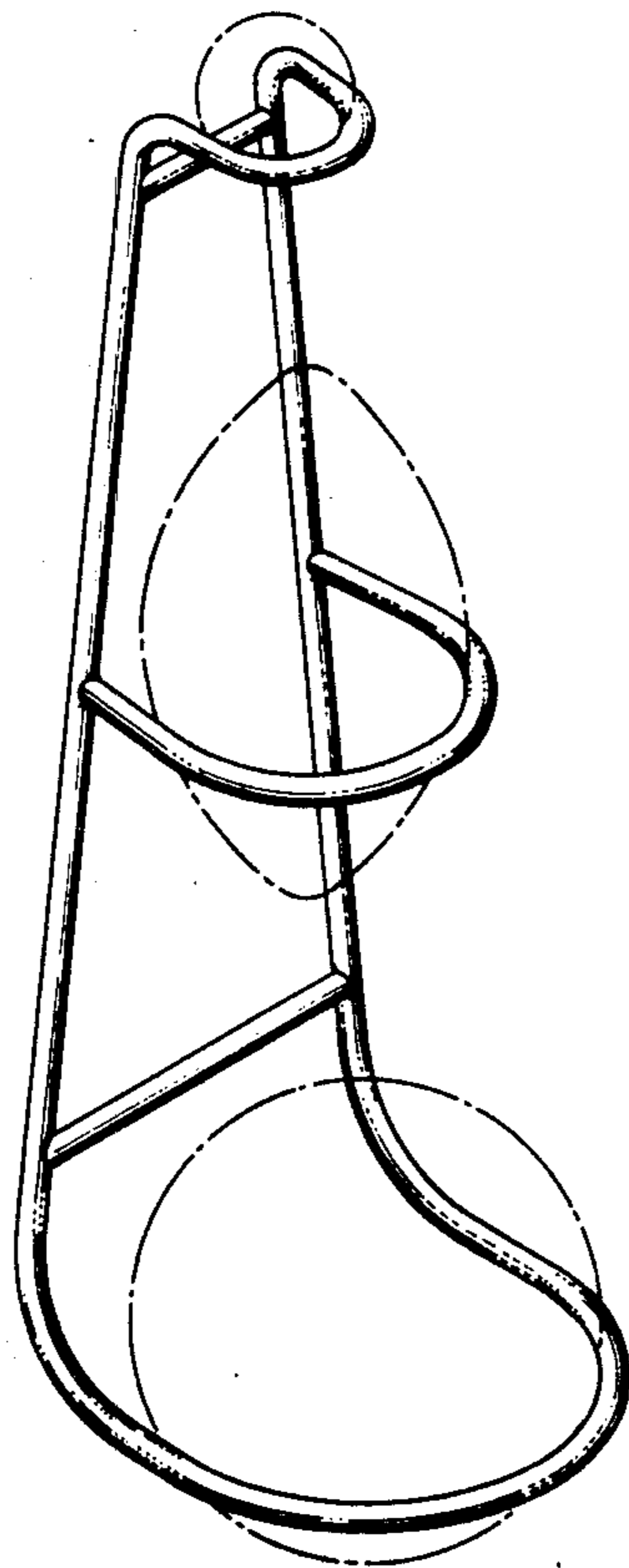
DESCRIPTION

FIG. 1 is a perspective view of the display rack showing my new design, the balls being shown in broken lines for illustrative purposes only;

FIG. 2 is a top plan view thereof;

FIG. 3 is a front elevational view thereof; and

FIG. 4 is a side elevational view taken from the right of FIG. 3.



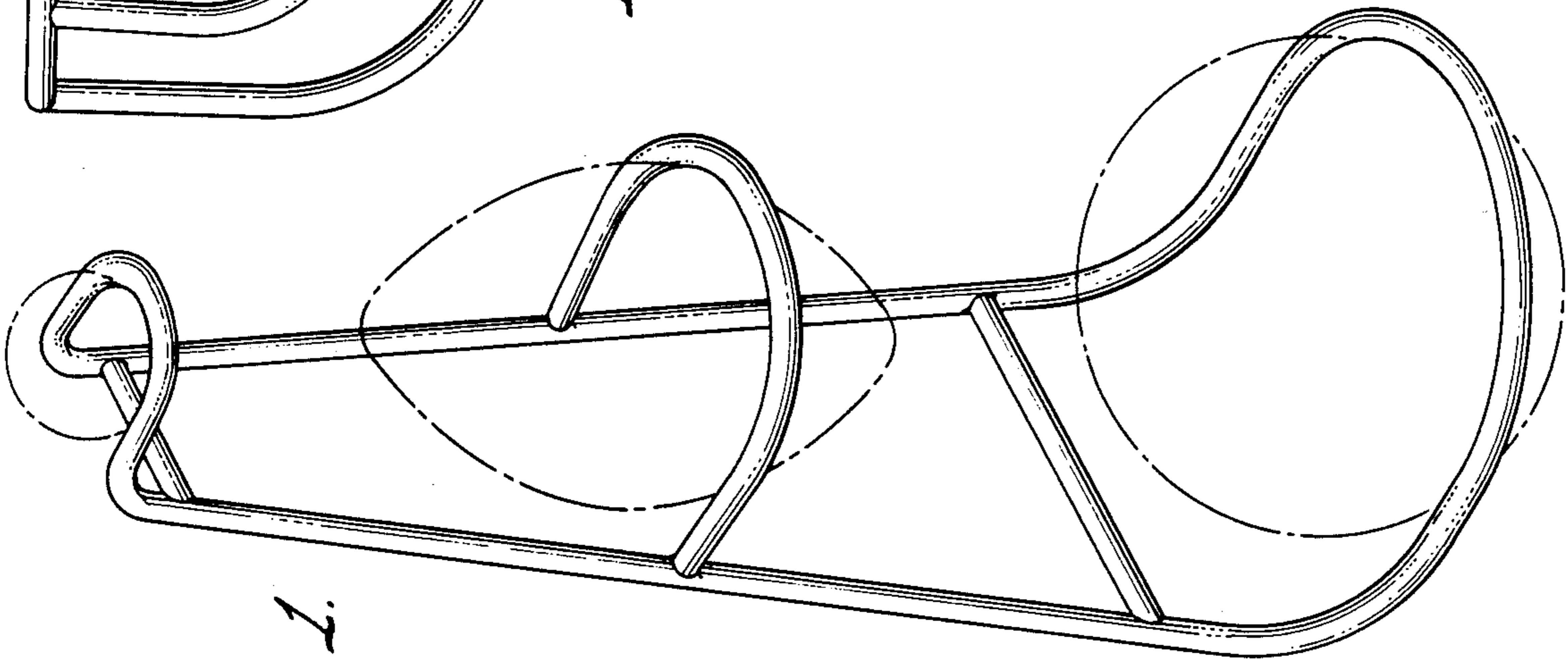


FIG. 1.

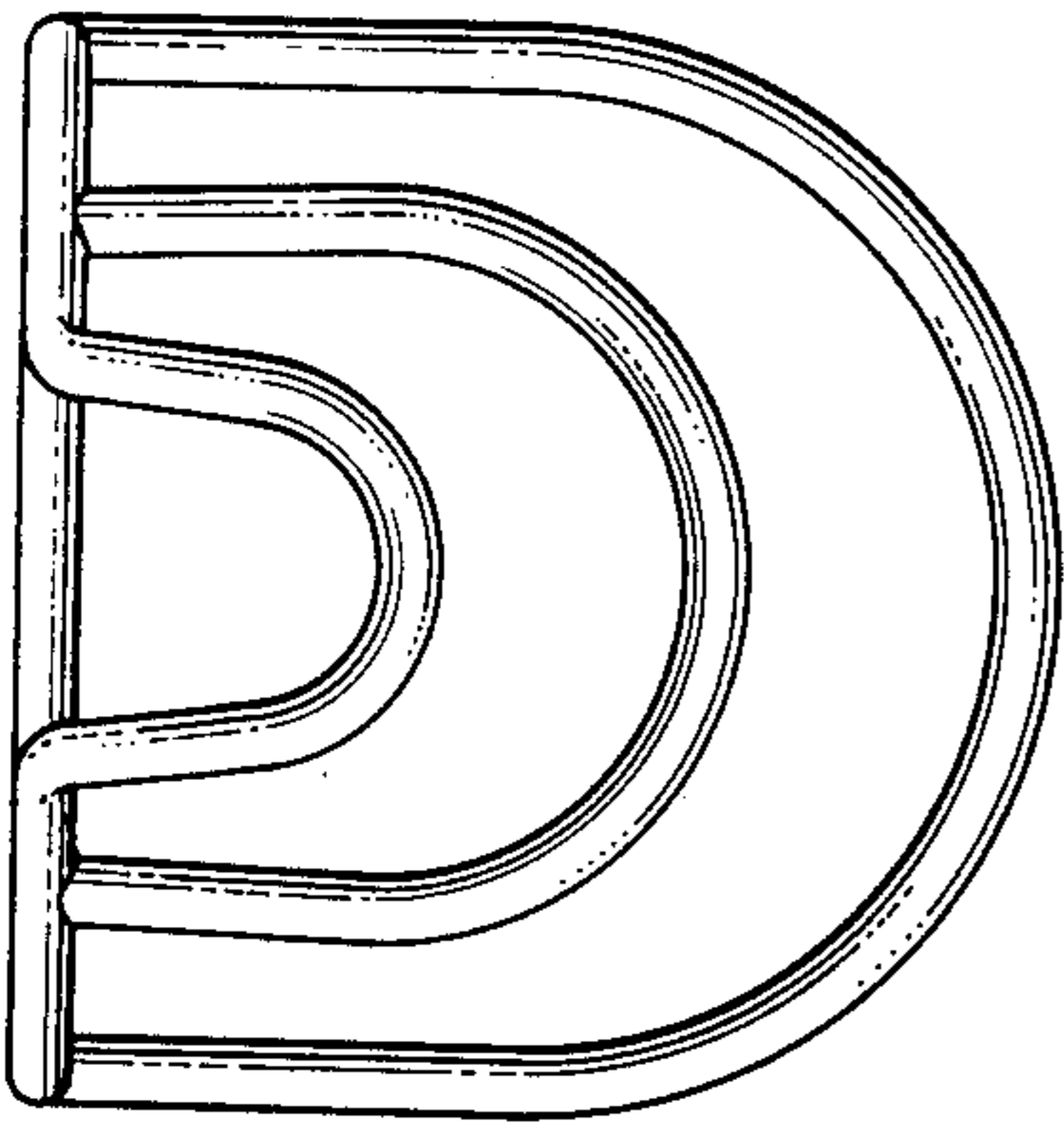


FIG. 2.

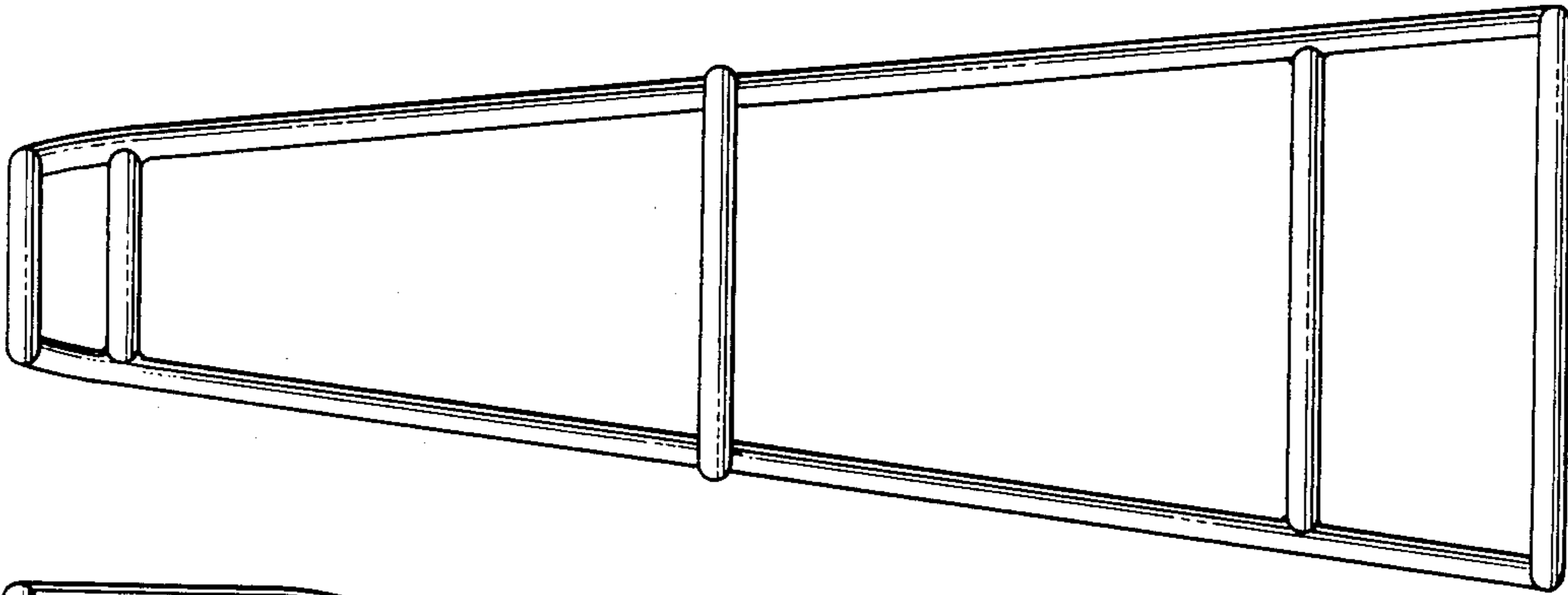


FIG. 3.

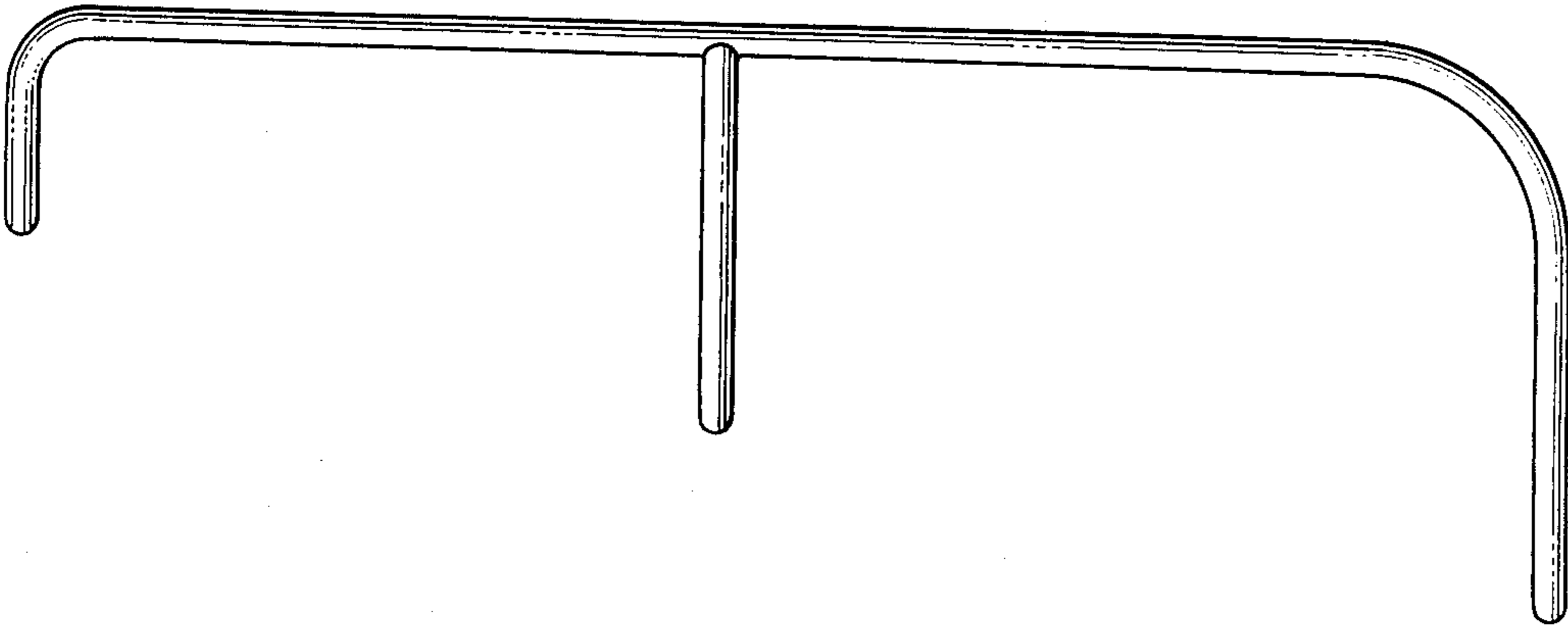


FIG. 4.