

- [54] WALL MOUNTED MODULAR TRAY
- [75] Inventor: John A. Bridges, Nashville, Tenn.
- [73] Assignee: Aladdin Industries, Incorporated, Chicago, Ill.
- [**] Term: 14 Years
- [21] Appl. No.: 760,091
- [22] Filed: Jan. 17, 1977
- [51] Int. Cl. D6—04; D20—02
- [52] U.S. Cl. D6/136; D6/188
- [58] Field of Search D6/85, 114, 125, 127, D6/130-132, 136, 167, 172, 189, 191, 188; 211/87, 90, 153; D19/92

[56] References Cited

U.S. PATENT DOCUMENTS

- | | | | |
|------------|---------|----------------|--------|
| D. 30,012 | 1/1899 | Roberts | D6/189 |
| D. 136,660 | 11/1943 | Kiser | D19/92 |
| D. 222,817 | 1/1972 | Kenmotsu | D6/188 |
| D. 228,598 | 10/1973 | Mattheis | D6/132 |

D. 244,658 6/1977 Turner D19/92

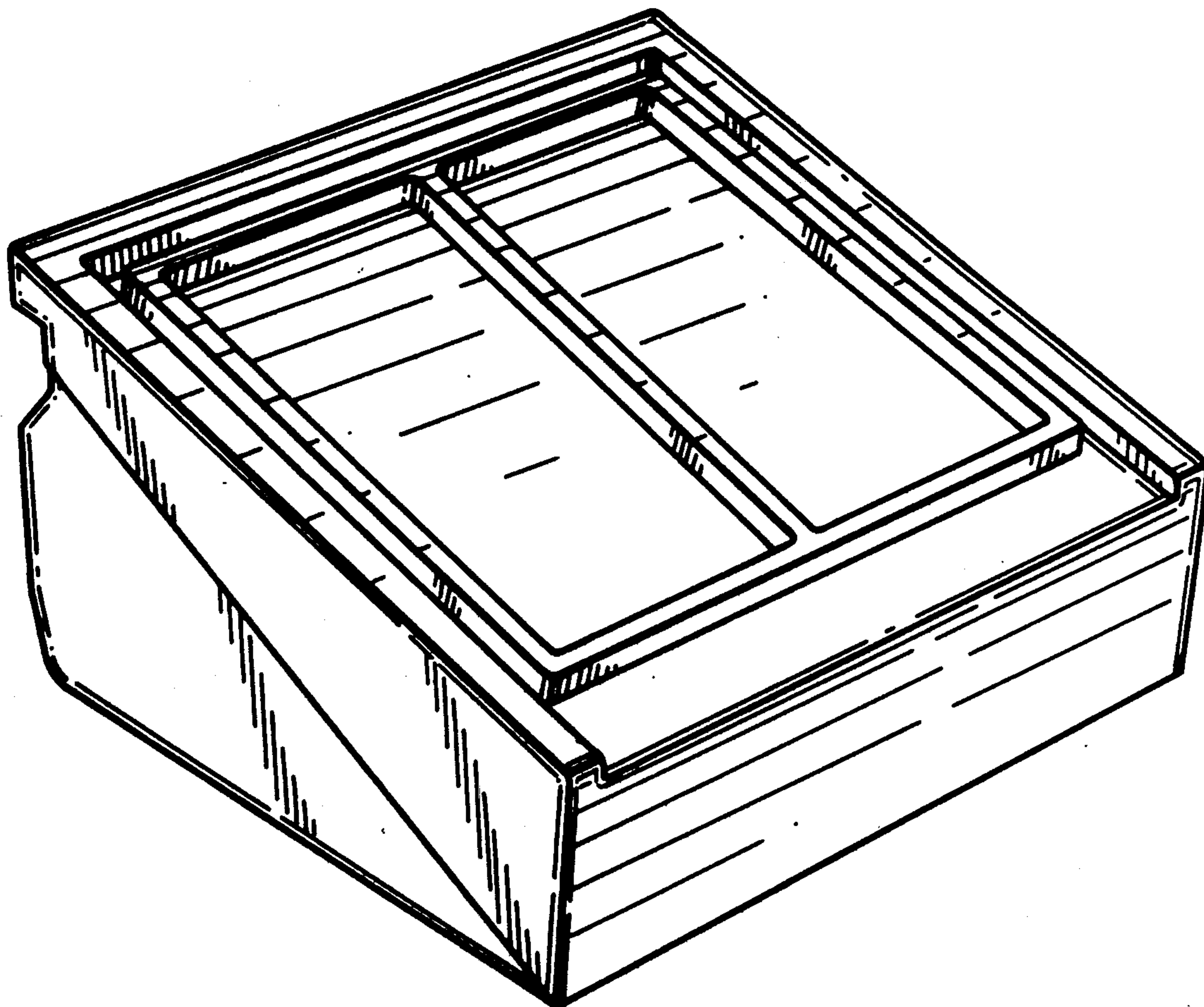
Primary Examiner—Wallace R. Burke
Assistant Examiner—B. J. Bullock
Attorney, Agent, or Firm—Dugald S. McDougall

[57] CLAIM

The ornamental design for a wall mounted modular tray, as shown and described.

DESCRIPTION

FIG. 1 is a perspective view of a wall mounted modular tray showing my new design;
 FIG. 2 is a top plan view of FIG. 1;
 FIG. 3 is a side elevational view of FIG. 1;
 FIG. 4 is a rear elevational view of FIG. 1;
 FIG. 5 is a front elevational view of FIG. 1;
 FIG. 6 is a bottom plan view of FIG. 1;
 FIG. 7 is a sectional view taken on line 7—7 of FIG. 5; and
 FIG. 8 is a perspective view of a second embodiment of the design of FIG. 1, the only difference residing in the width of the tray.



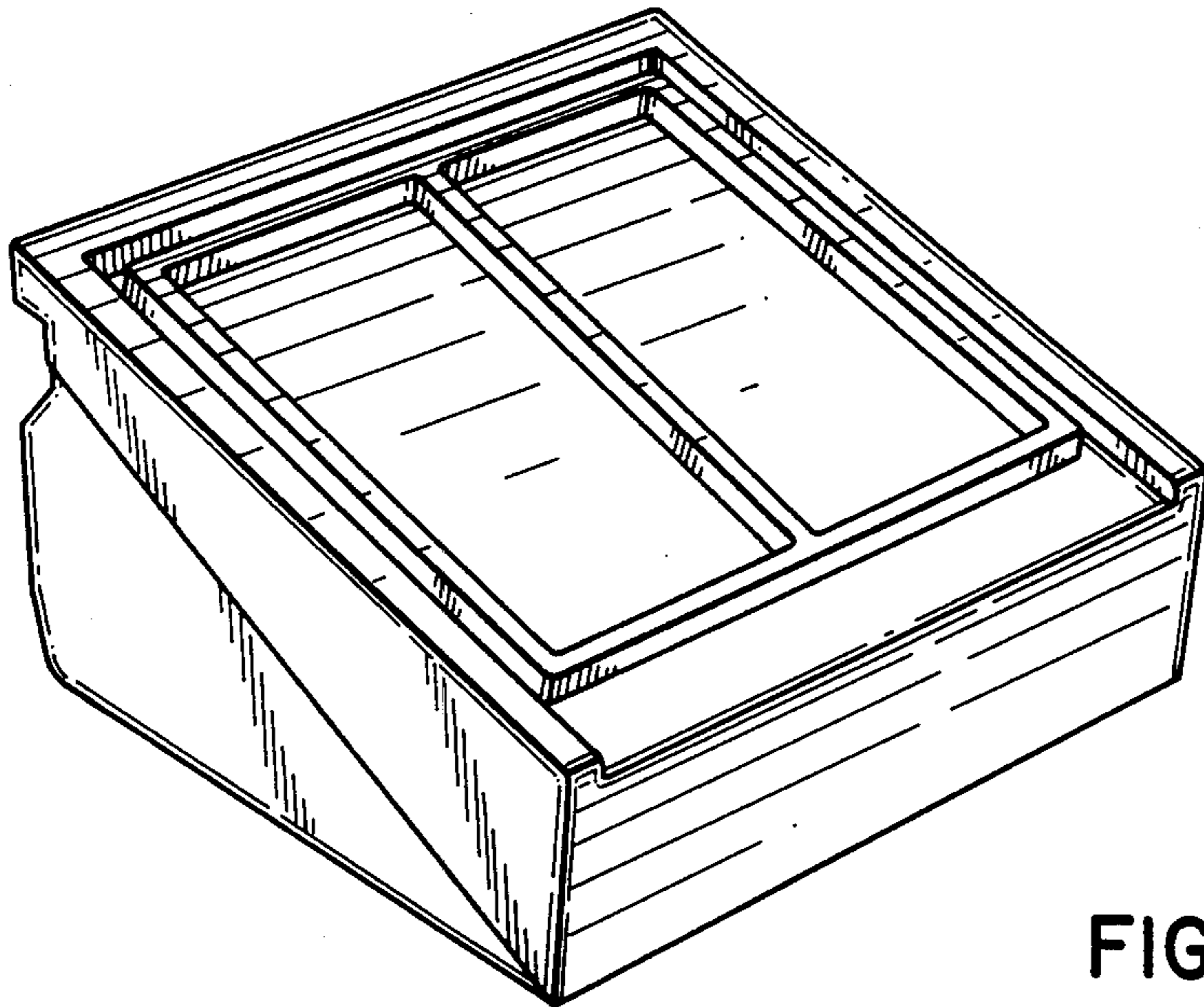


FIG. 1

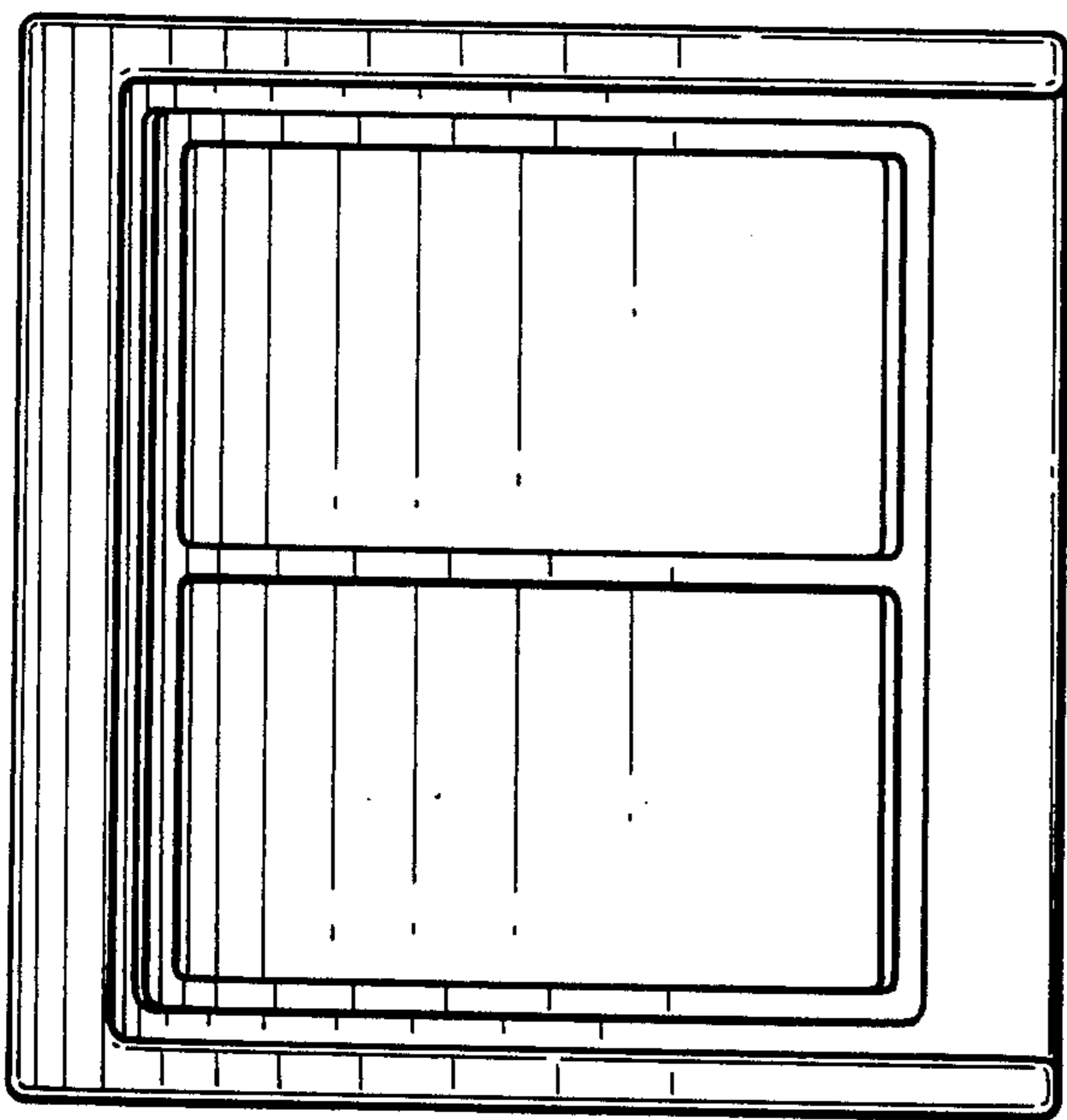


FIG. 2

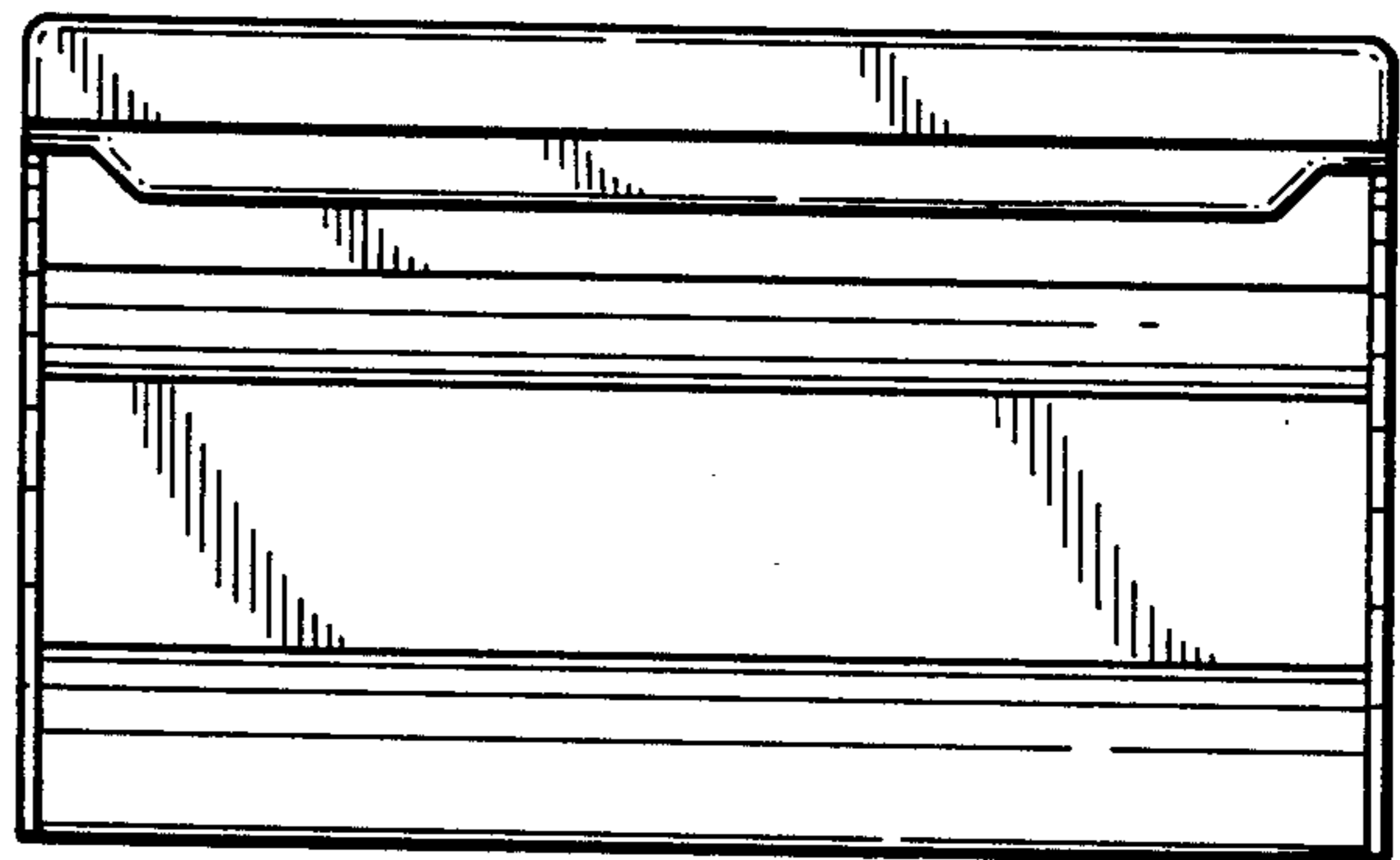


FIG. 4

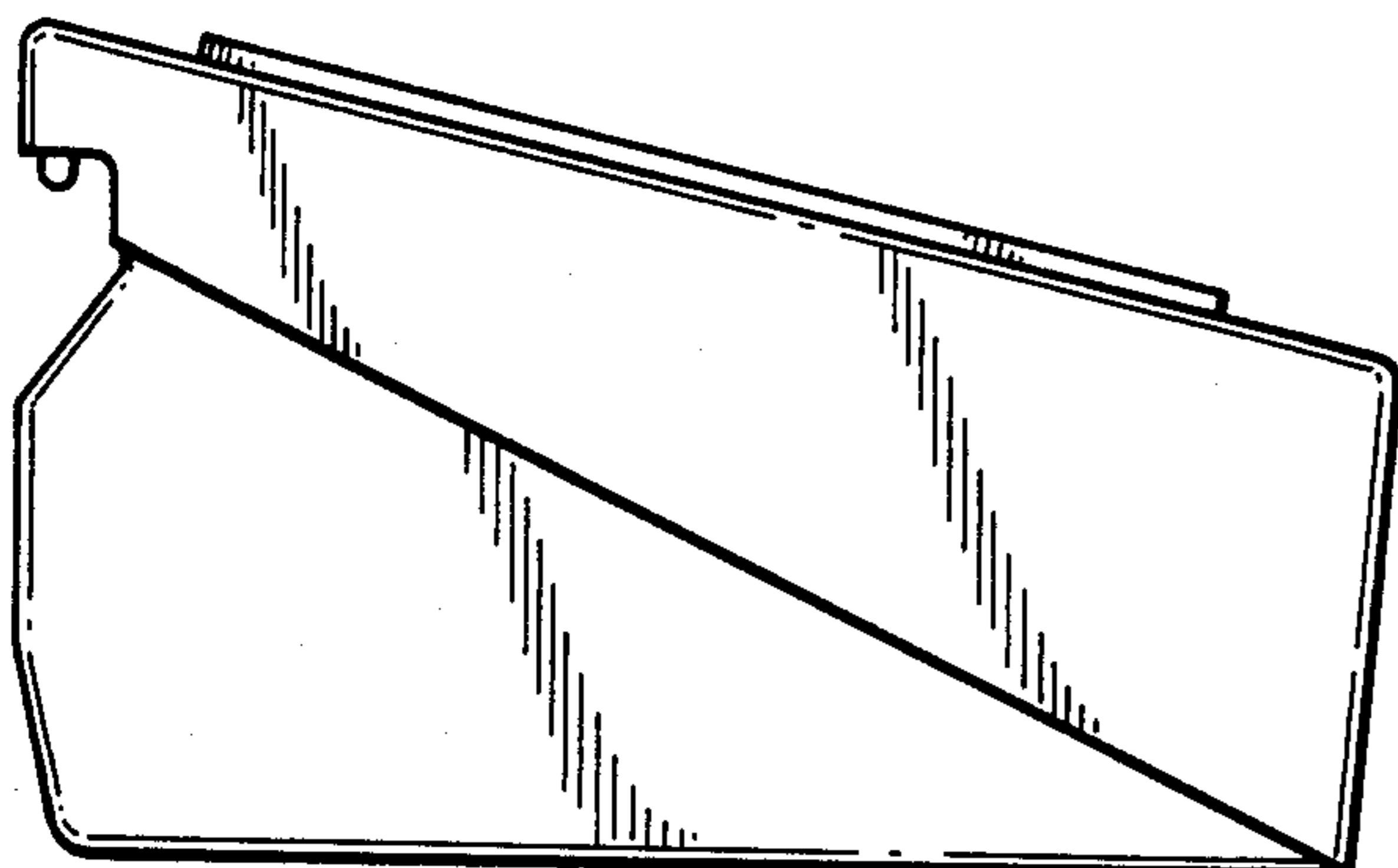


FIG. 3

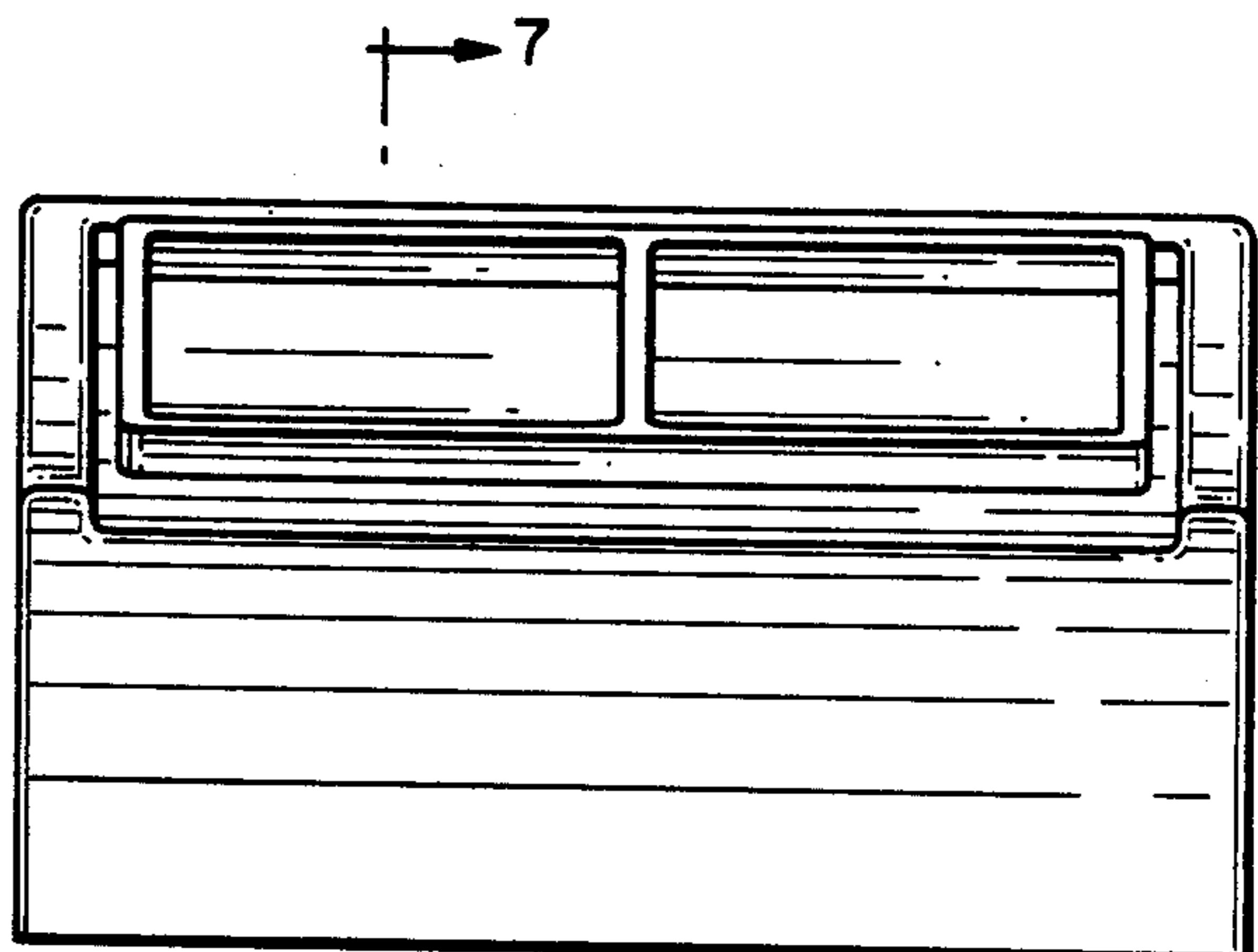


FIG. 5

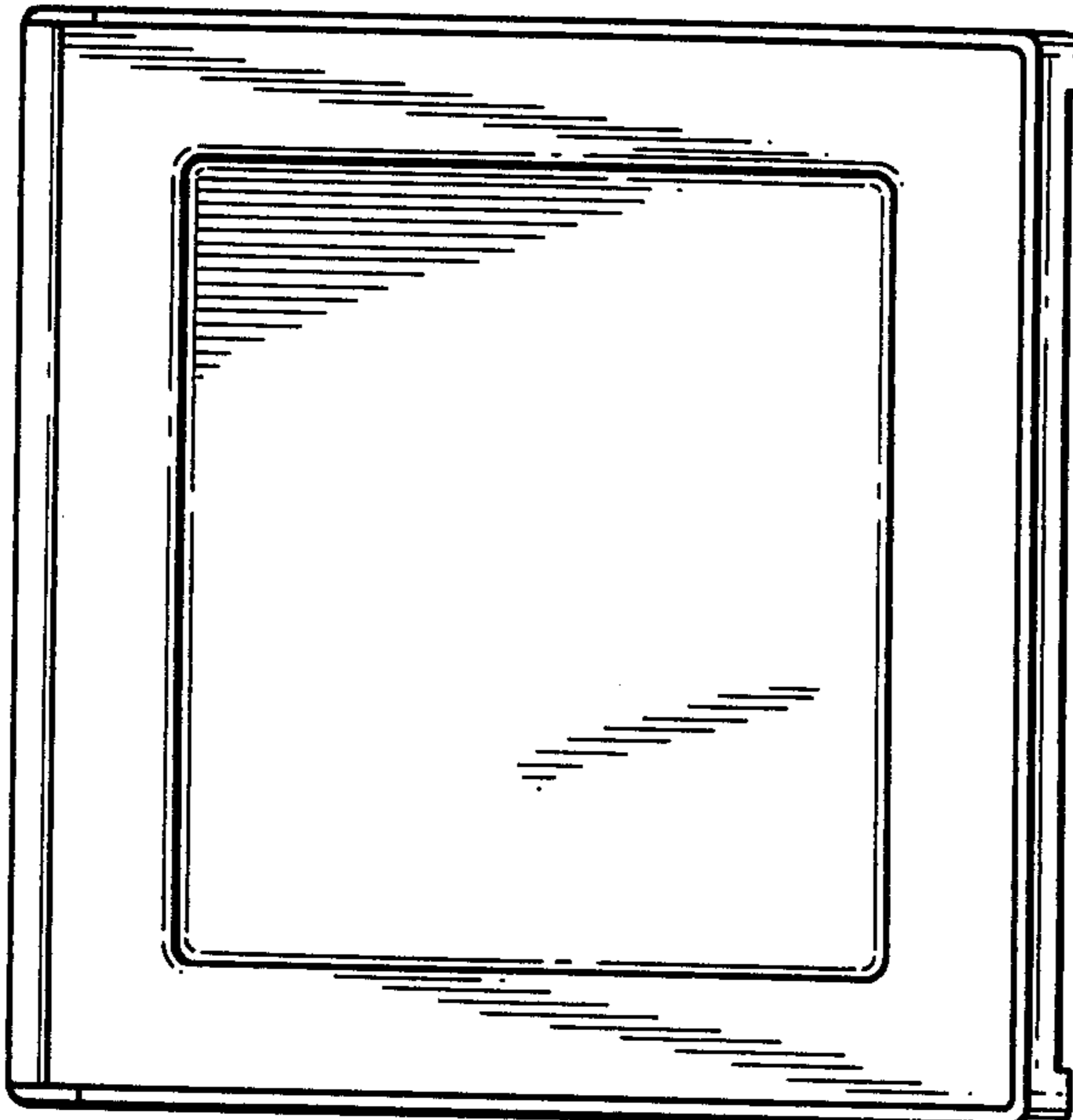


FIG. 6

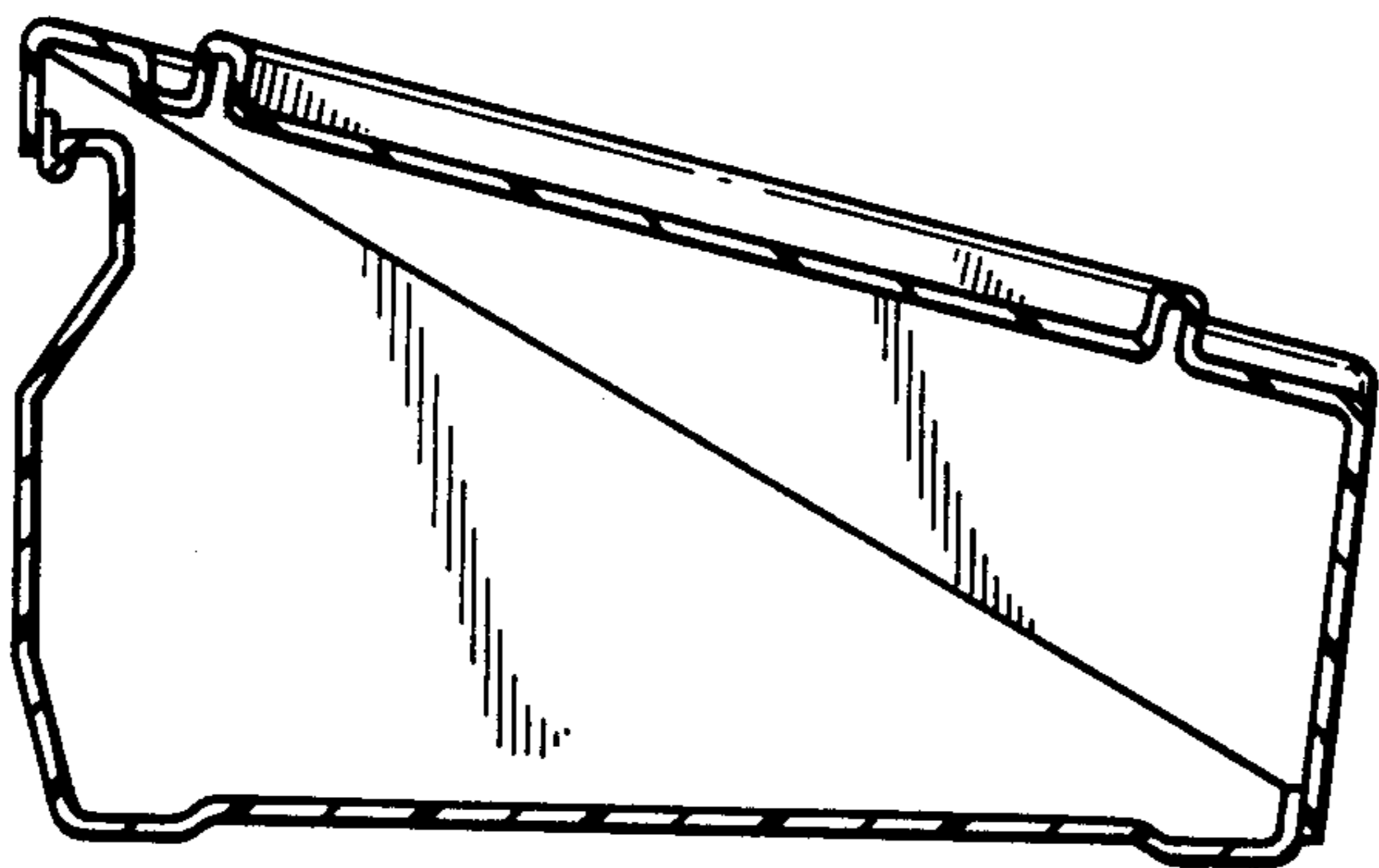


FIG. 7

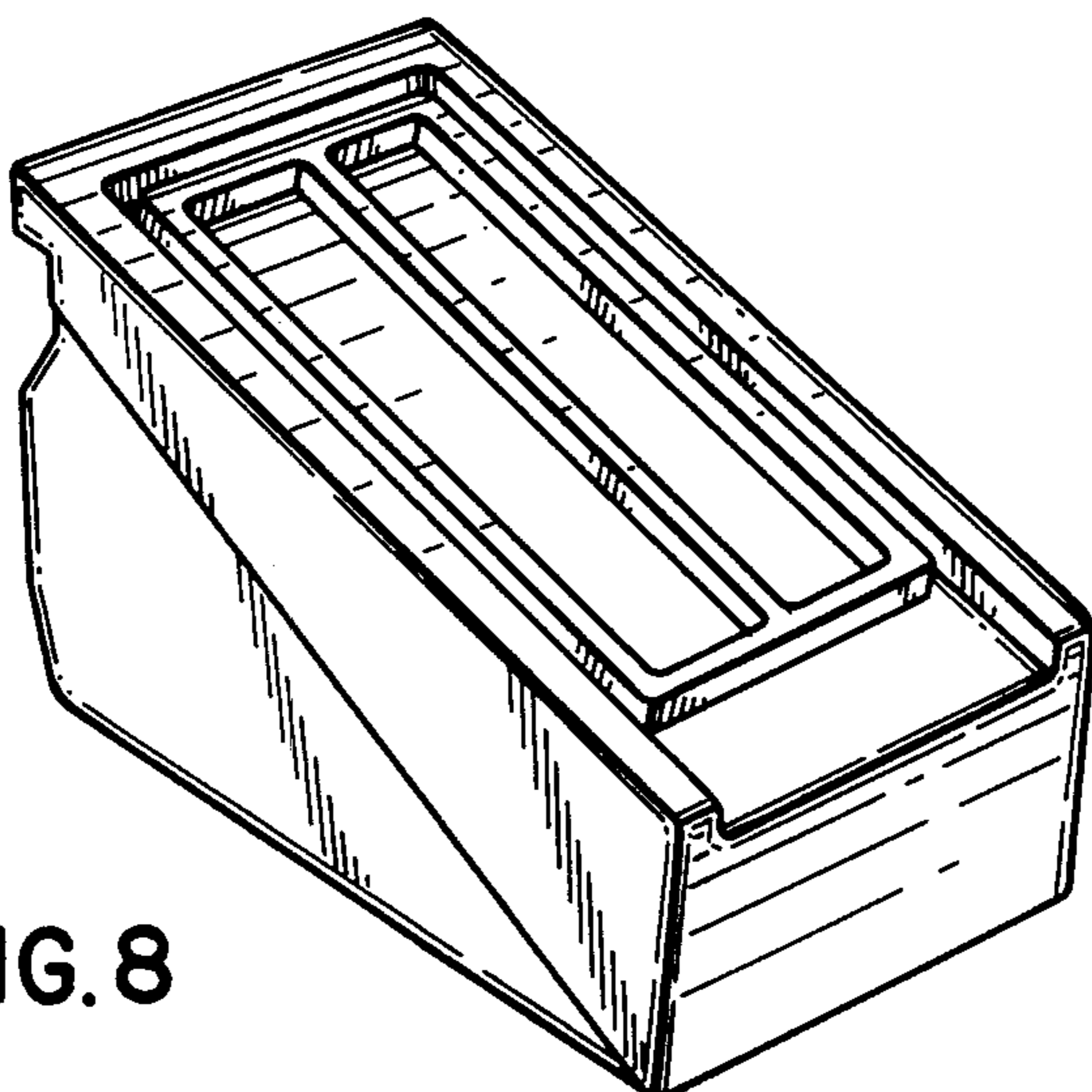


FIG. 8