

[54] CUT TREE HOLDER

[76] Inventor: James M. Budd, 518 N. 7th St.,  
Osage, Iowa 50461

[\*\*] Term: 14 Years

[21] Appl. No.: 674,499

[22] Filed: Apr. 7, 1976

[51] Int. Cl. .... D6-99

[52] U.S. Cl. .... D6/105

[58] Field of Search ..... D8/1; D11/143, 152,  
D11/155, 156, 164; D6/105, 113, 137; 47/59,  
60, 66, 67, 71, 85, 86, 40.5, 44, 47, 26; 248/524;  
D30/16, 99

[56] References Cited

U.S. PATENT DOCUMENTS

2,904,291 9/1959 Harbes et al. .... D6/105

3,227,405	1/1966	Layton .....	D6/105
3,353,773	11/1967	Budd .....	47/40.5
3,480,241	11/1969	Moyer .....	47/40.5
3,622,036	11/1971	Bongaerts .....	D30/16

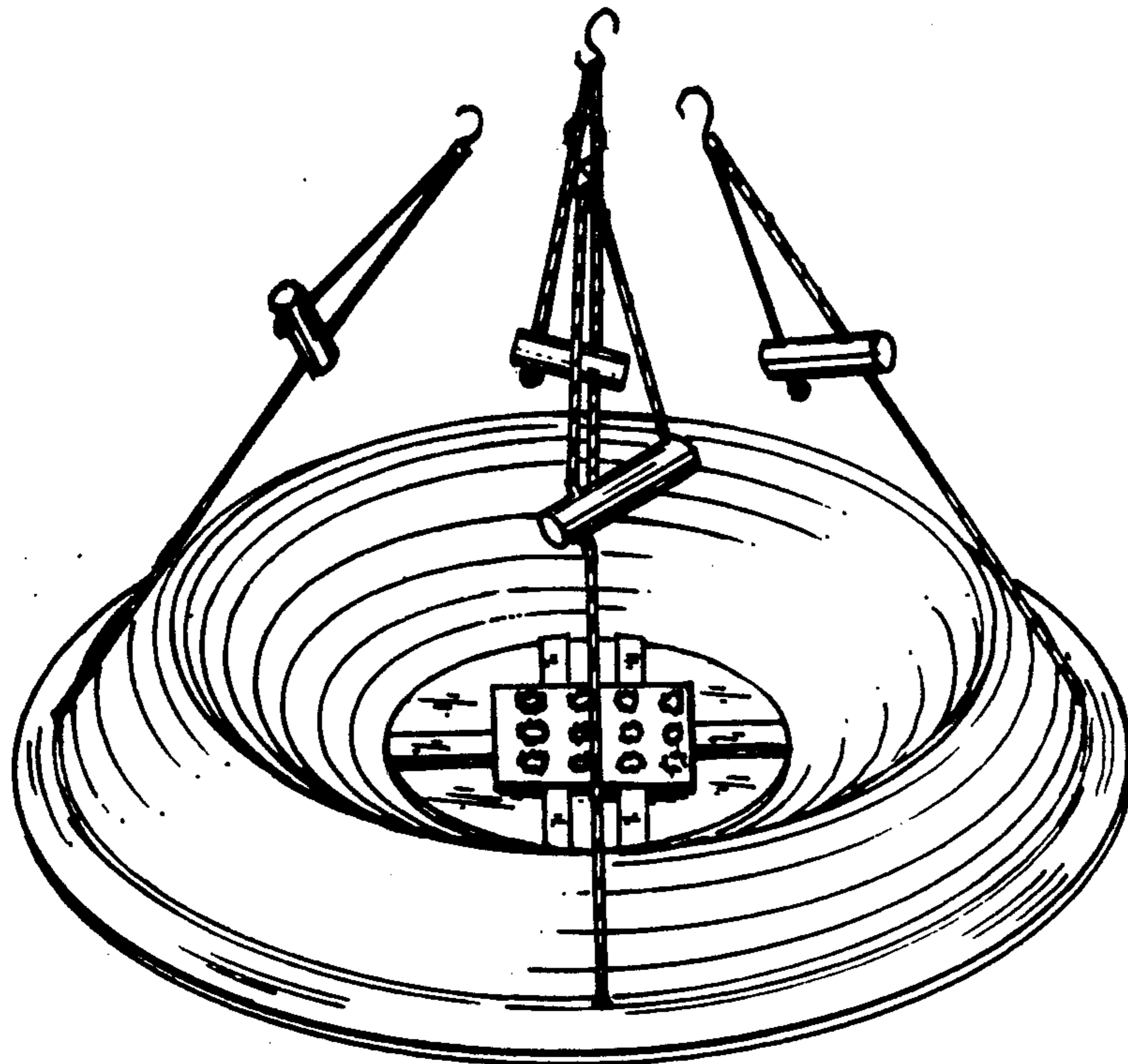
Primary Examiner—Wallace R. Burke  
Assistant Examiner—B. J. Bullock  
Attorney, Agent, or Firm—H. Robert Henderson

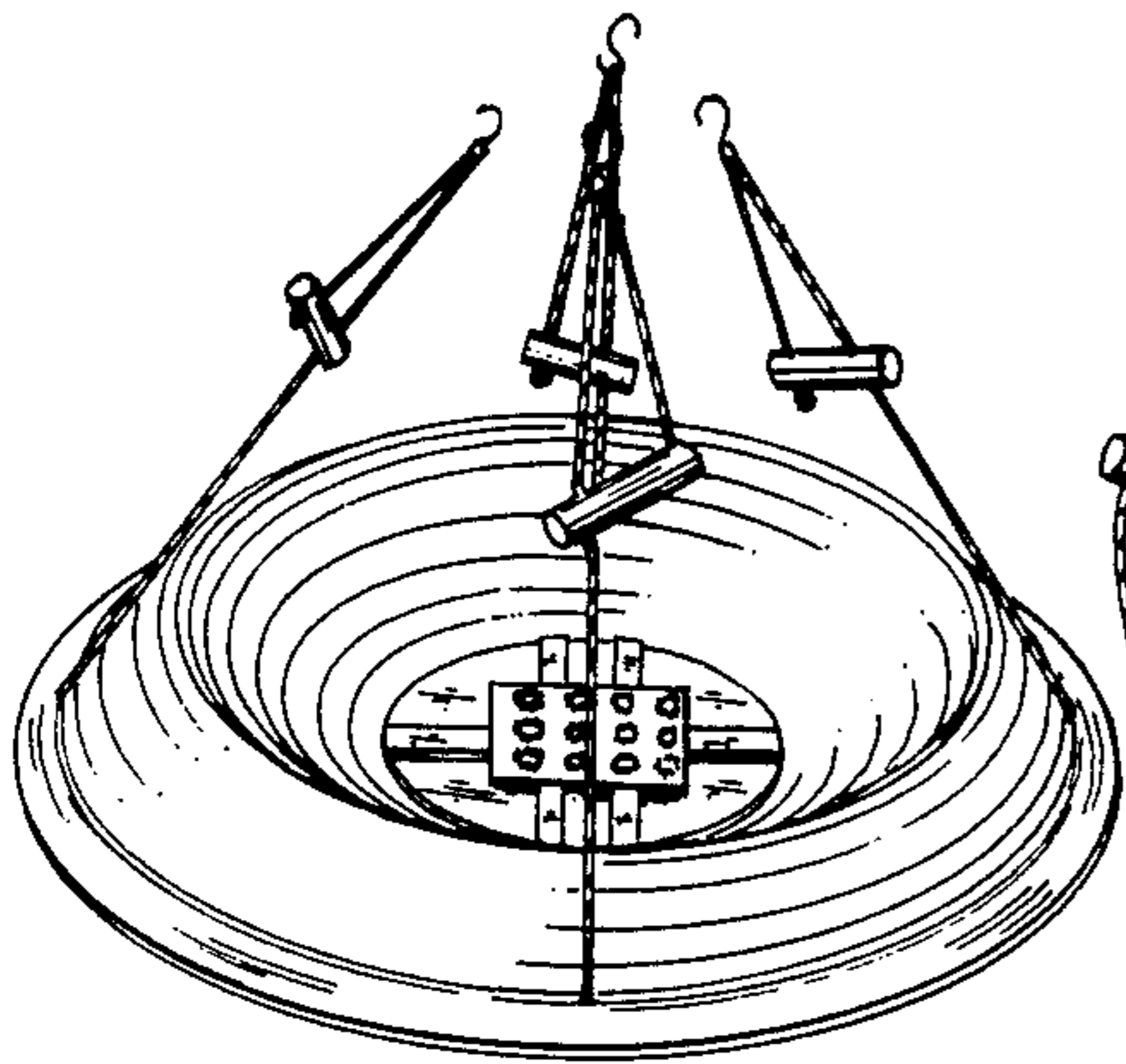
[57] CLAIM

The ornamental design of a cut tree holder, substantially as shown.

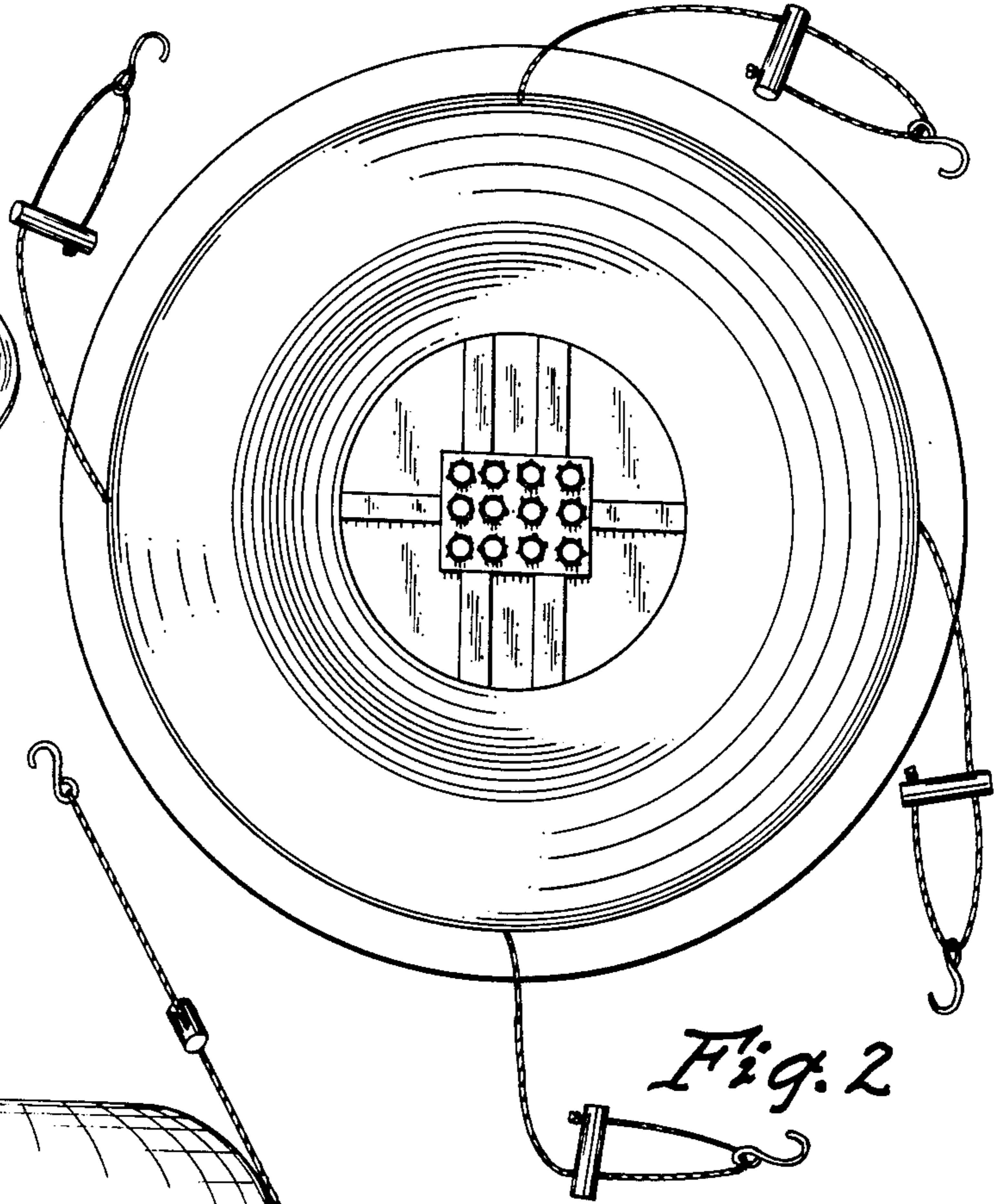
DESCRIPTION

FIG. 1 is a reduced perspective view of a cut tree holder showing my new design;  
FIG. 2 is a top plan view with the guy elements in relaxed position;  
FIG. 3 is a side elevational view, the opposite side being the same in appearance as the side shown; and  
FIG. 4 is a bottom plan view.

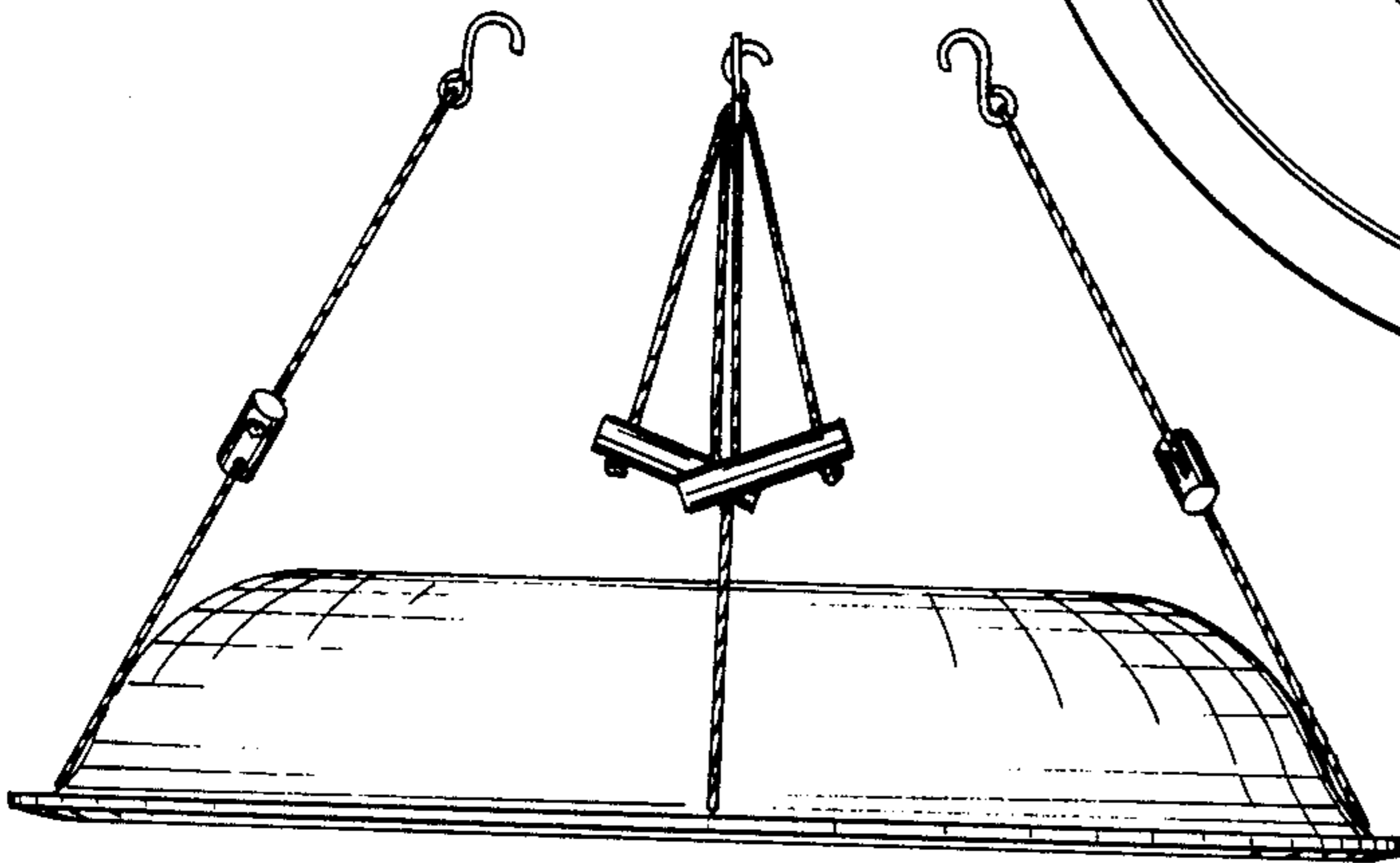




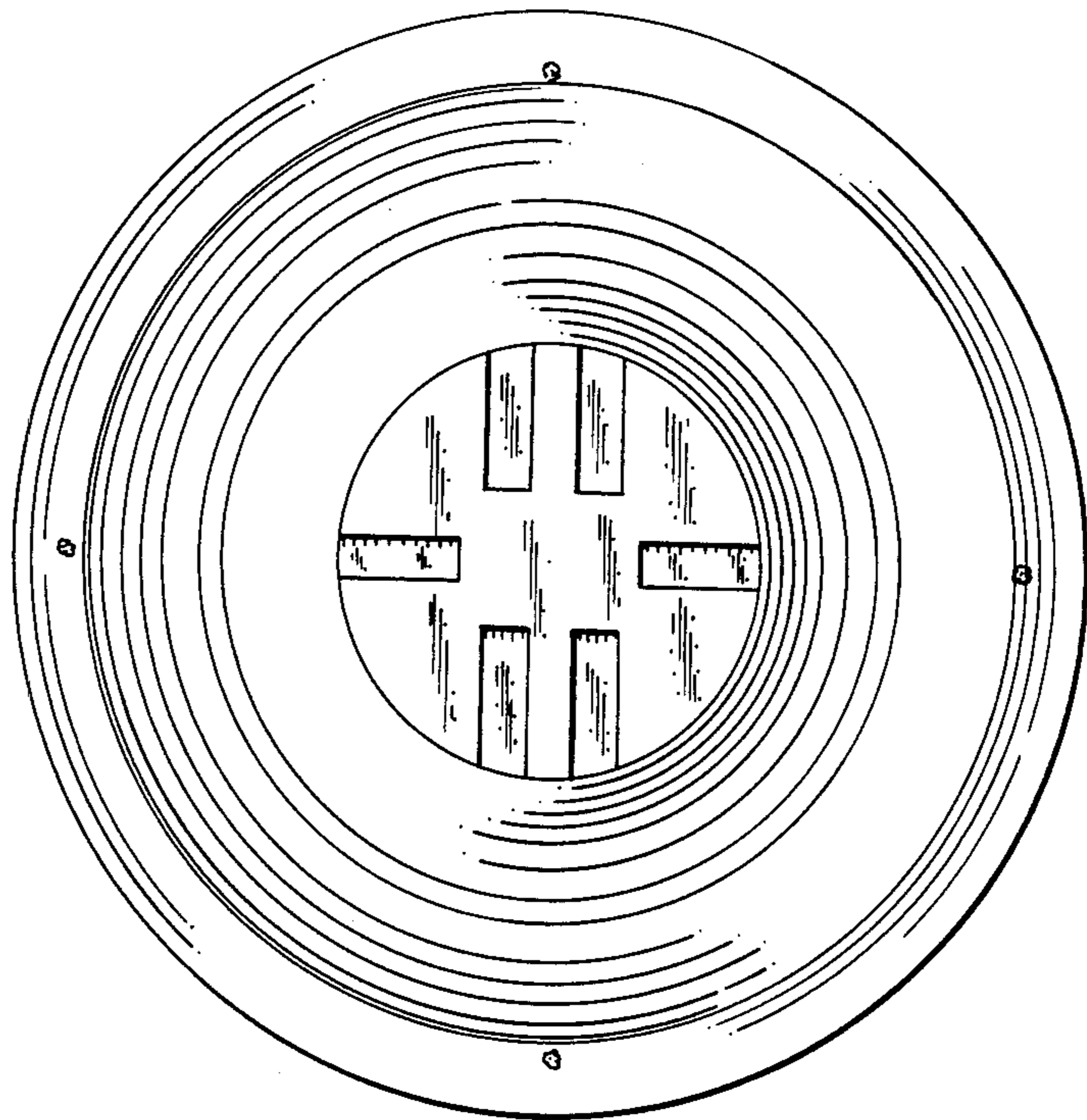
*Fig. 1*



*Fig. 2*



*Fig. 3*



*Fig. 4*