

[54] ADULT'S CHAIR

[75] Inventor: R. Duane Iselin, Flourtown, Pa.

[73] Assignee: Mobi Corporation, Philadelphia, Pa.

[\*\*] Term: 14 Years

[21] Appl. No.: 680,683

[22] Filed: Apr. 27, 1976

[51] Int. Cl. .... D6-01

[52] U.S. Cl. .... D6/66; D6/71

[58] Field of Search ..... D6/20, 26, 30, 31, 47, D6/39, 37, 66, 67, 72, 73, 75, 197; 297/463, 456, DIG. 1, DIG. 2

[56] References Cited

PUBLICATIONS

"New Horizons Collections" Cat. for 1973 by Norwalk, p. 88, Chair No. 104.

Domus Catalog, Aug. 1970, p. 37, Chair at right center.

Primary Examiner—Bruce W. Dunkins  
Attorney, Agent, or Firm—Charles H. Howson, Jr.

[57] CLAIM

The ornamental design for an adult's chair, substantially as shown and described.

DESCRIPTION

FIG. 1 is a perspective view of an adult's chair embodying my new design;

FIG. 2 is a front elevational view thereof;

FIG. 3 is a side elevational view thereof, the other side being identical;

FIG. 4 is an inverted plan view thereof; and

FIG. 5 is a rear elevational view thereof.

The essential features of my invention reside in the smooth, seamless, monolithic configuration of the chair, in combination with the triangulated back rest portion and the specifically configured concave portion intermediate the back and seat, all as illustrated best in FIGS. 1 and 3.

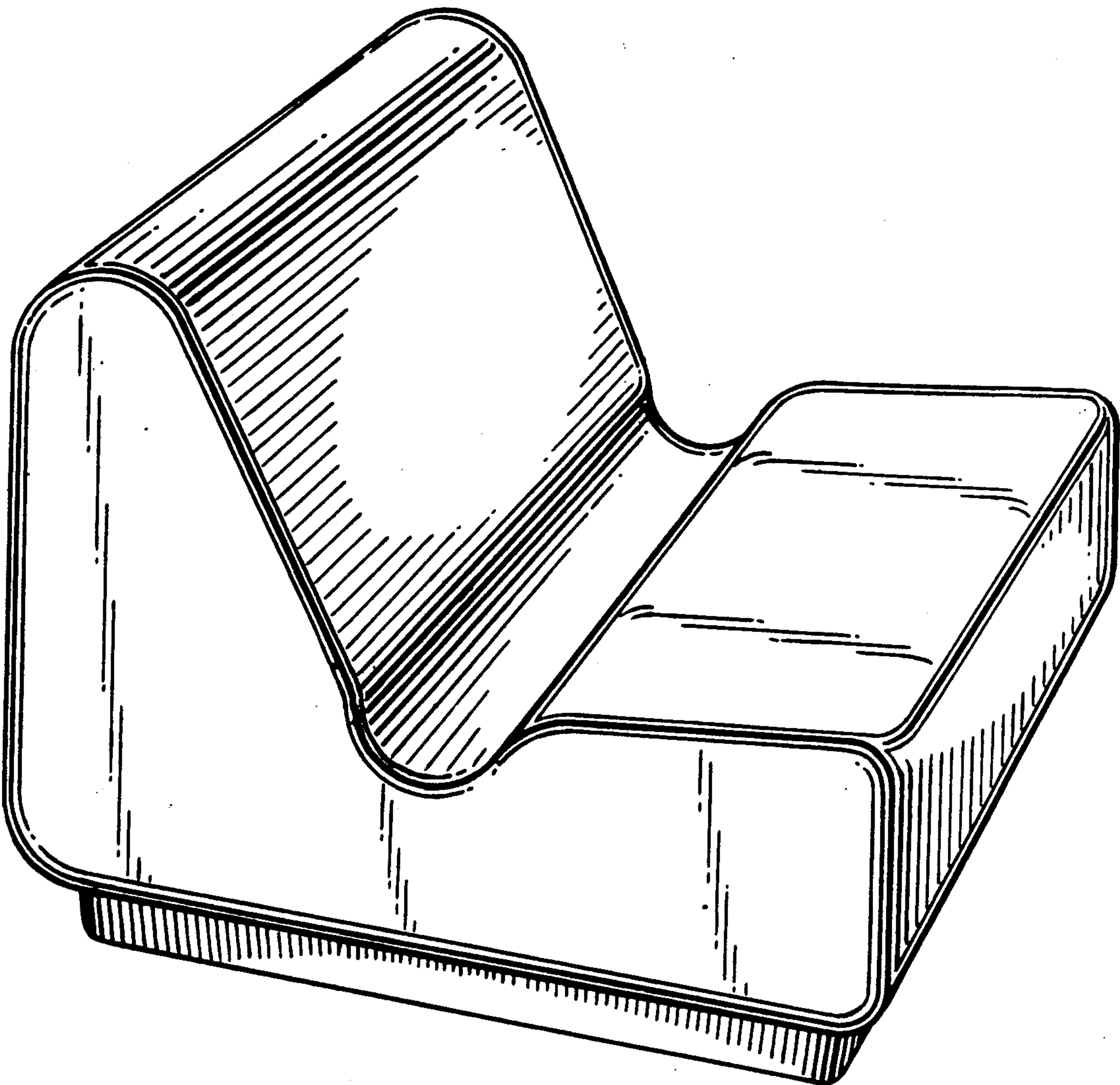


FIG. 1.

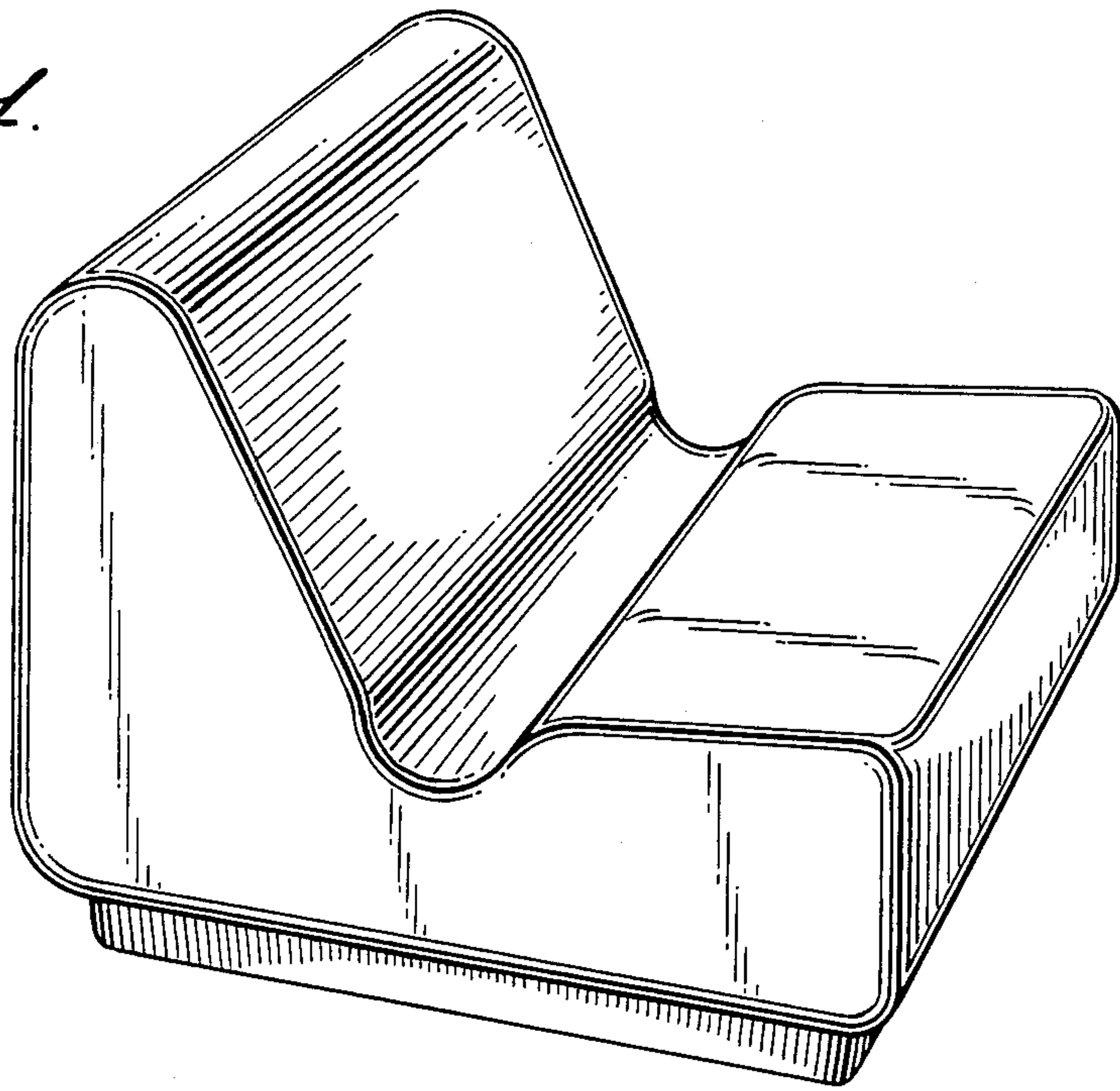


FIG. 3.

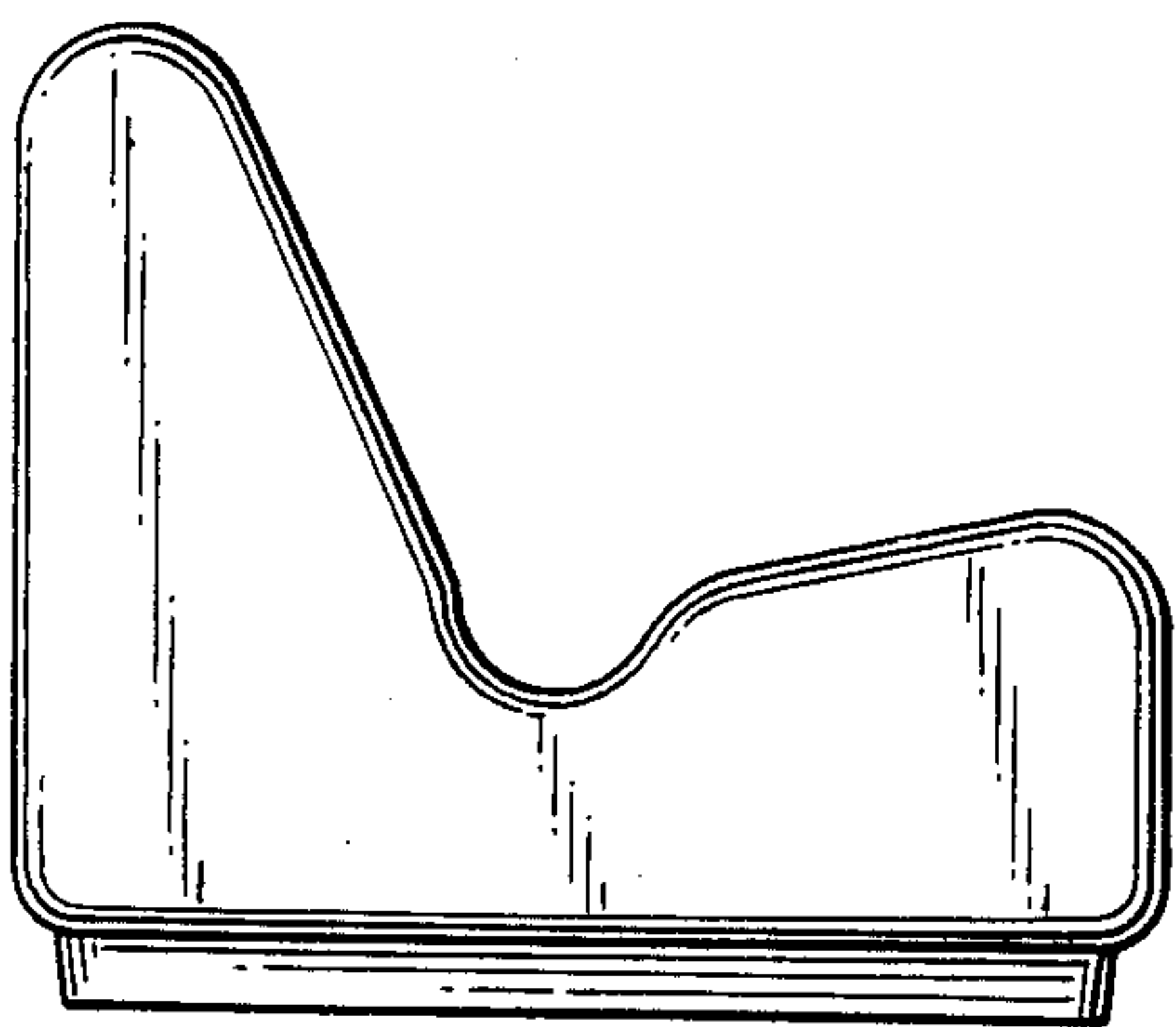


FIG. 2.

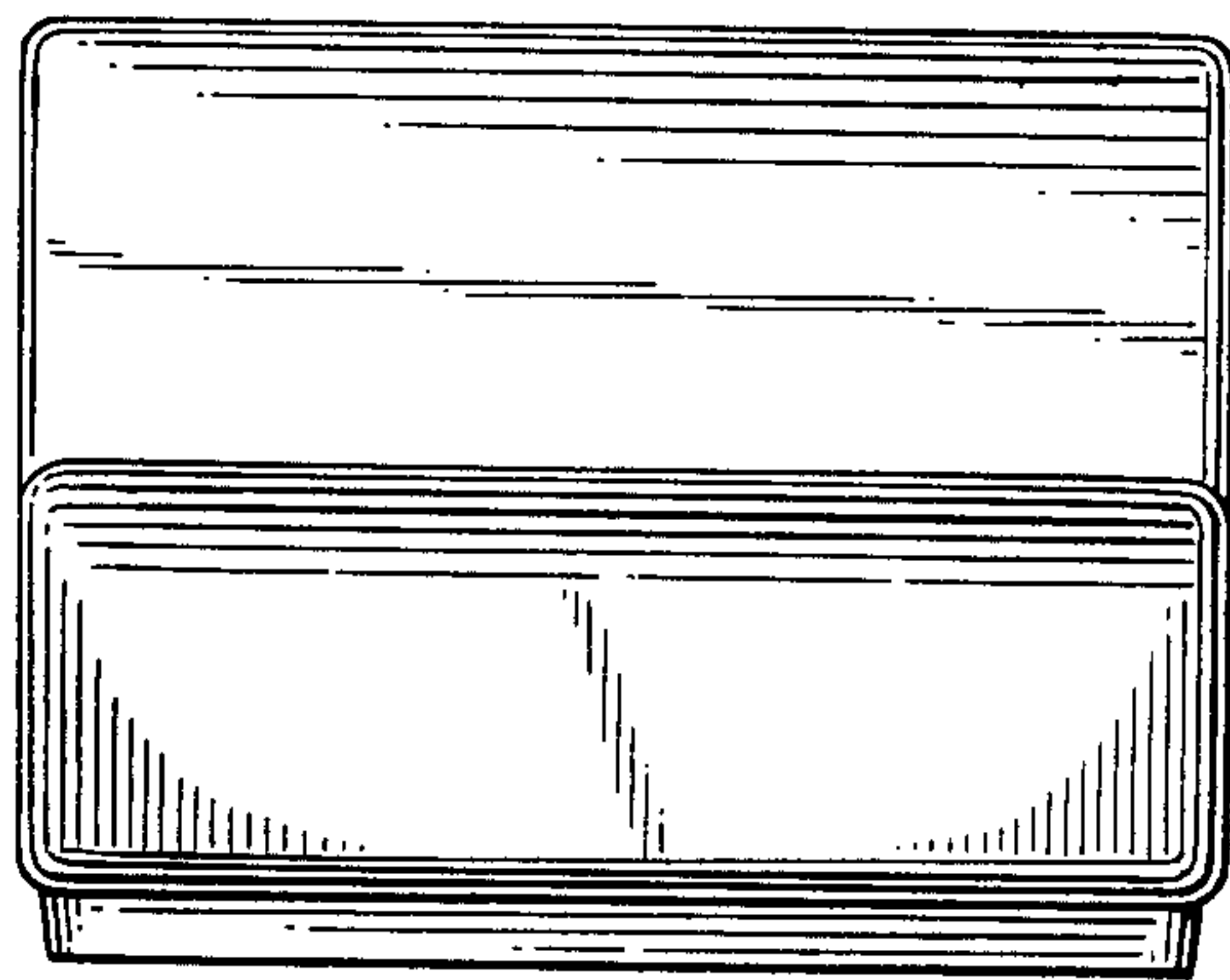


FIG. 5.

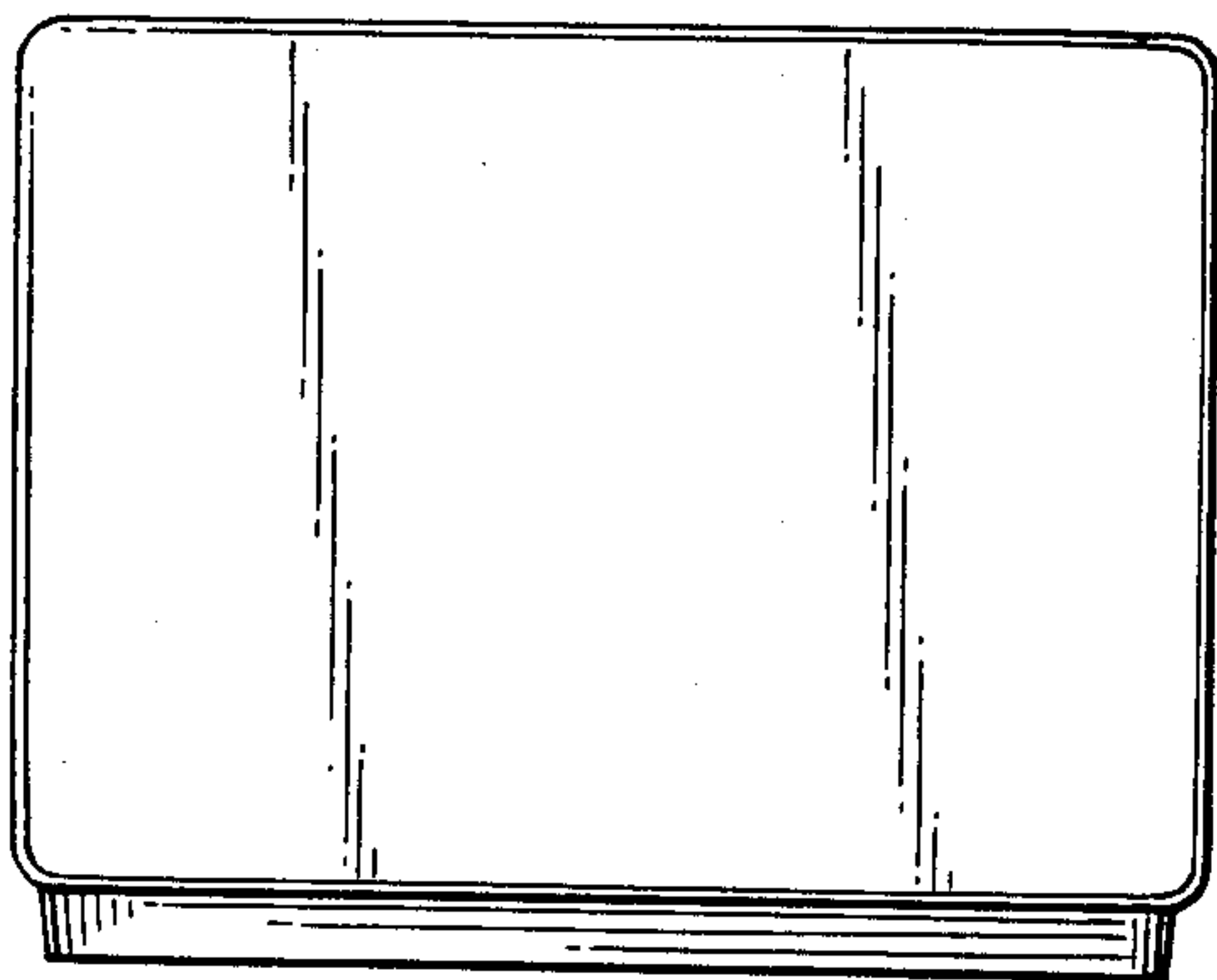


FIG. 4.

