

[54] PORTABLE HIGH CHAIR

[76] Inventor: Donald Gilbert Adams, R.R. 1, Box 557, High Ridge, Mo. 63049

[**] Term: 14 Years

[21] Appl. No.: 707,609

[22] Filed: Jul. 22, 1976

[51] Int. Cl. D6-01

[52] U.S. Cl. D6/9

[58] Field of Search D6/9; 297/153, 46, 47

[56] References Cited

U.S. PATENT DOCUMENTS

- D. 166,908 6/1952 Ducey D6/9
- D. 181,700 12/1957 Armitage D6/9

- D. 203,587 2/1966 Black D6/9
- D. 205,066 6/1966 Barnhill D6/9
- D. 231,588 5/1974 Hanley D6/9

Primary Examiner—Bruce W. Dunkins
Attorney, Agent, or Firm—Edmund C. Rogers

[57] CLAIM

The ornamental design for a portable high chair, as shown and described.

DESCRIPTION

FIG. 1 is a side elevation view of a portable high chair showing my design, with a fragmentary table top being shown in FIG. 1 for illustrative purposes only.

FIG. 2 is an overhead view of the high chair.

FIG. 3 is a front view of the high chair.

FIG. 4 is a front perspective view thereof.

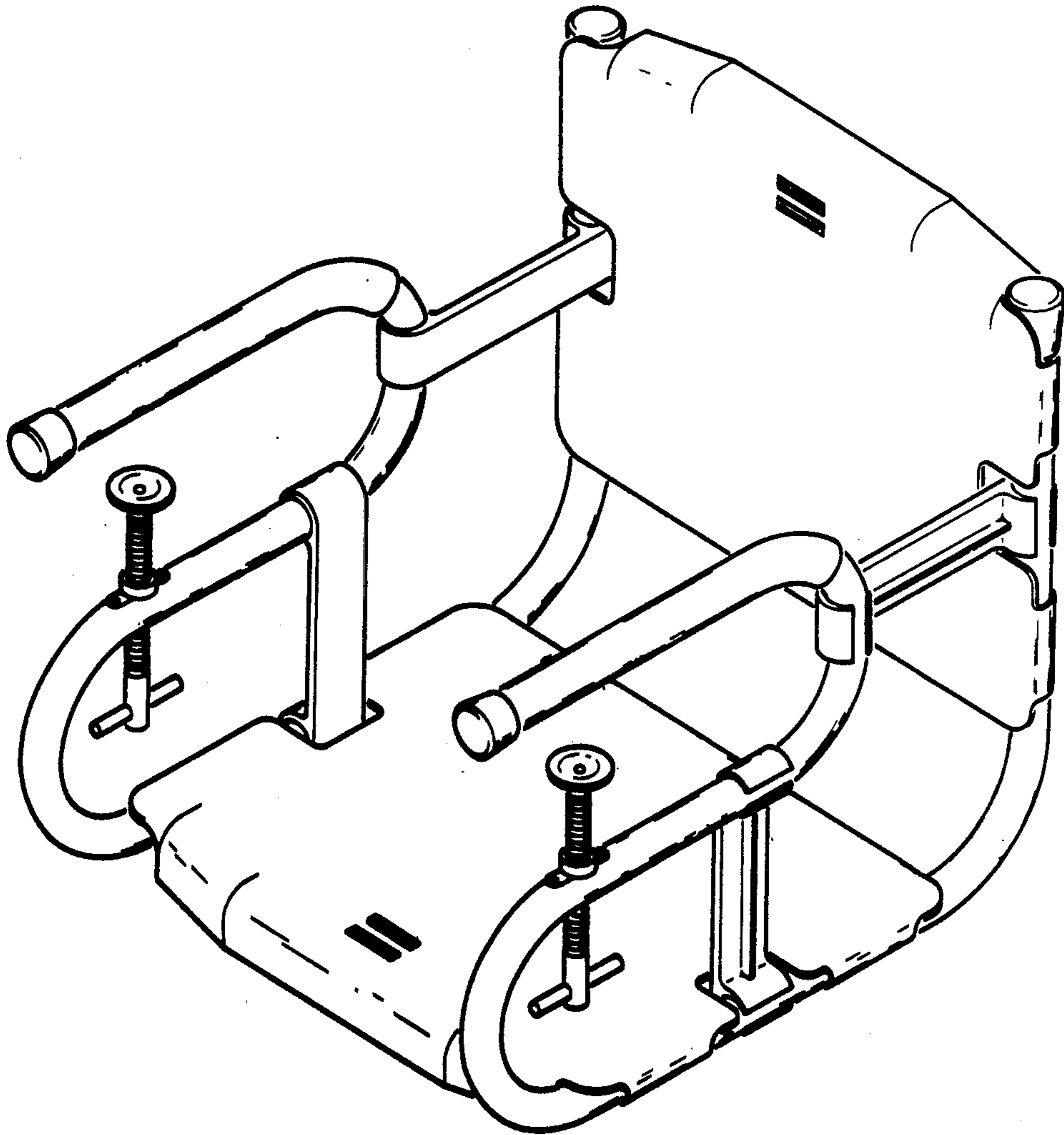


Fig. 1

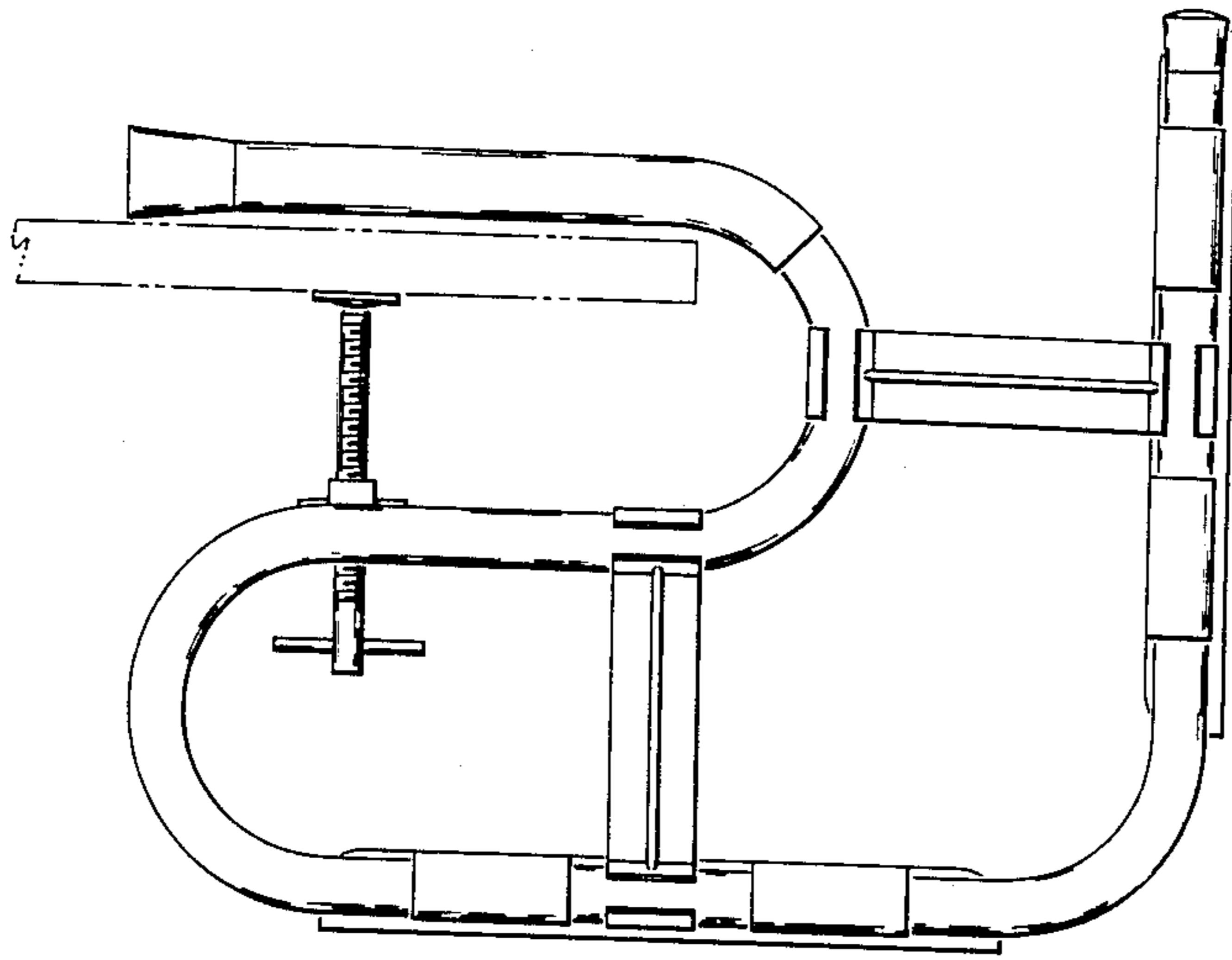


Fig. 2

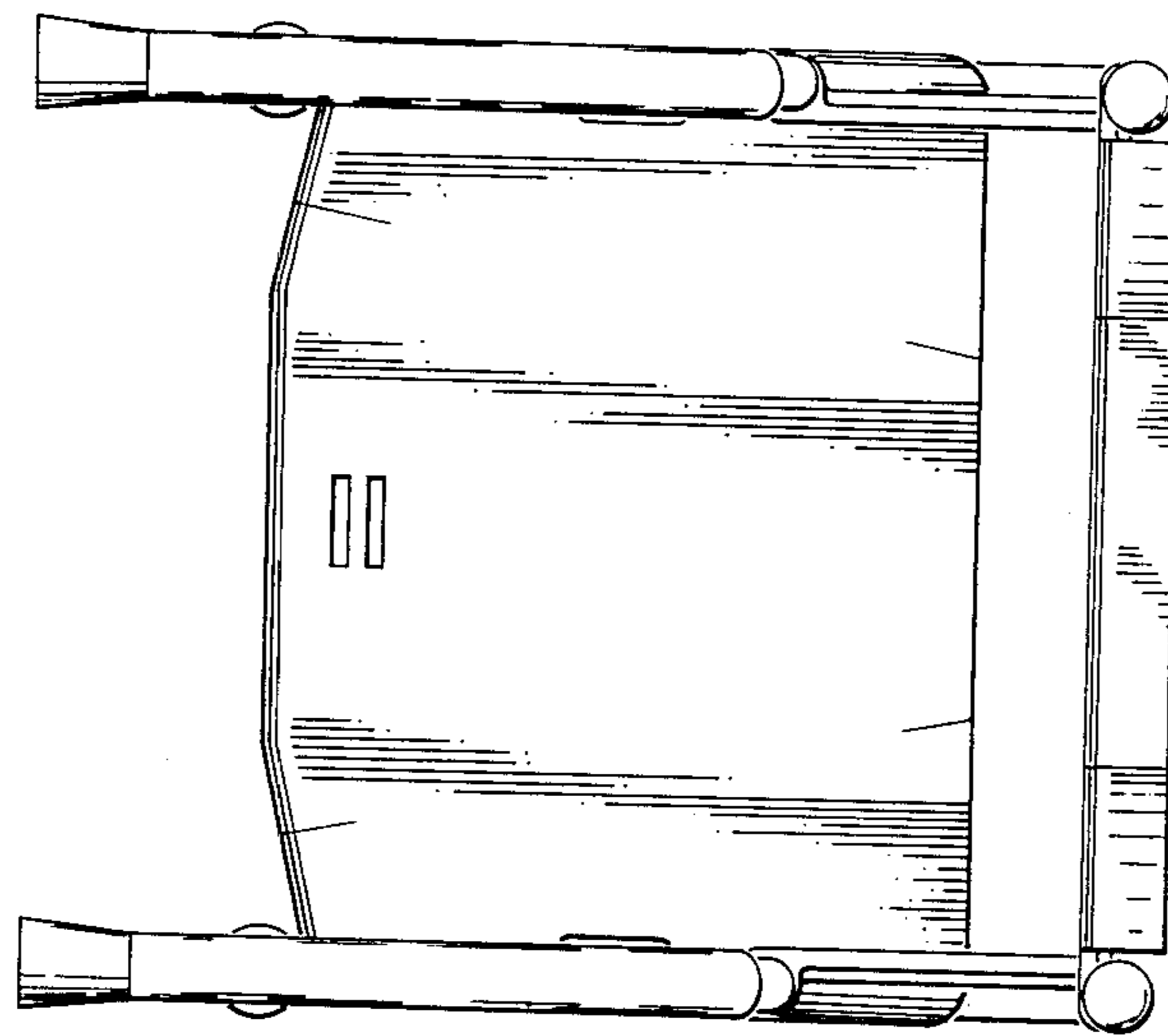


Fig. 3

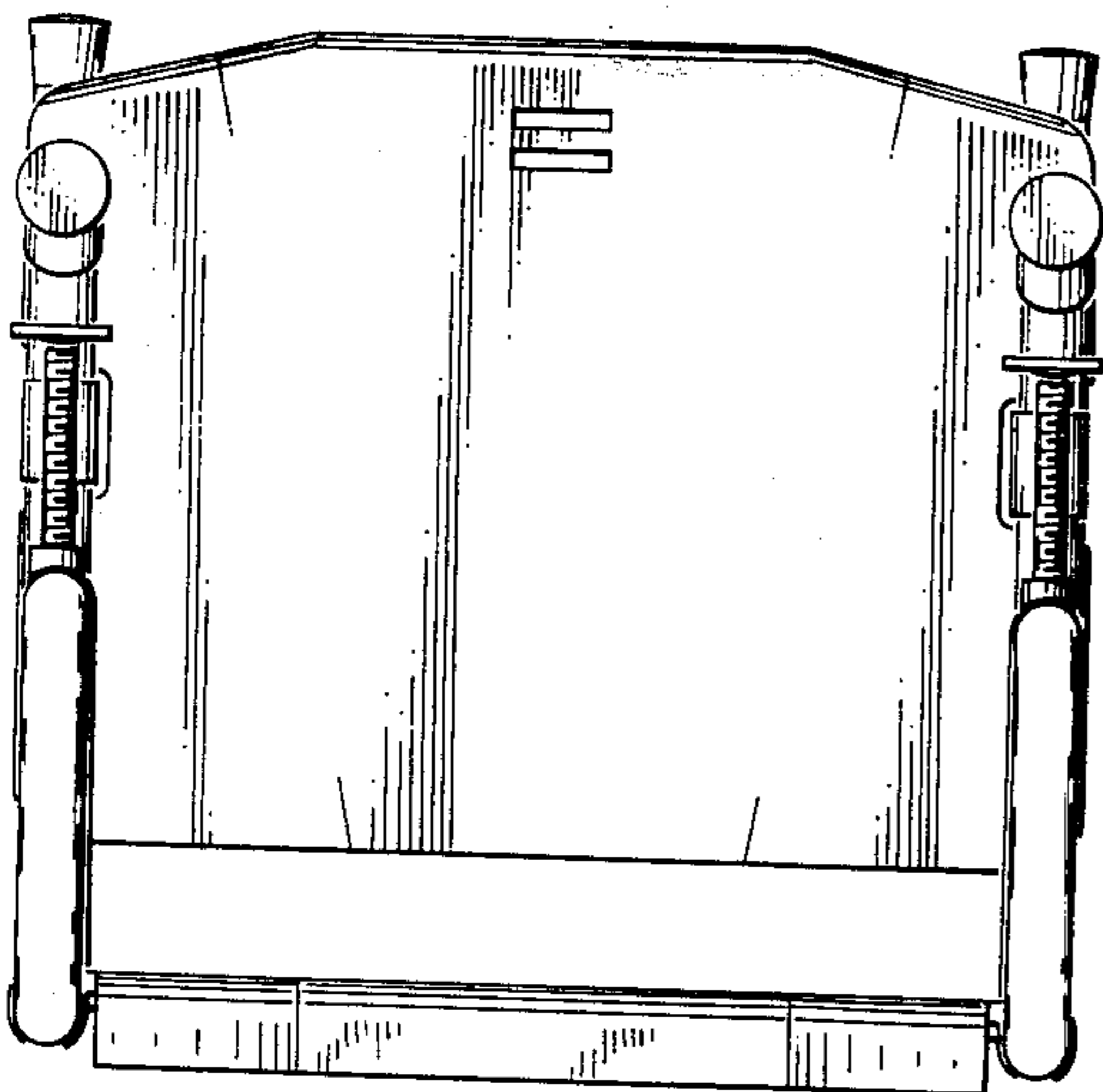


Fig. 4

