

[54] COIN SECTIONS FOR USE WITH A CASH DRAWER

[76] Inventor: Tom H. Ross, 2761 Georgian Ter., Marietta, Ga. 30062

[\*\*] Term: 14 Years

[21] Appl. No.: 703,060

[22] Filed: Jul. 6, 1976

[51] Int. Cl. .... D19-02

[52] U.S. Cl. .... D52/4 R; D52/4 A X

[58] Field of Search ..... 235/22, 1 C; D52/4 R, D52/4 A; 70/88; 232/1 D

[56] References Cited

U.S. PATENT DOCUMENTS

D. 165,565	12/1951	White	.....	D52/4 R
2,629,863	2/1953	Stern	.....	235/22 UX
3,107,467	10/1963	Gates	.....	D52/4 R

Primary Examiner—Nelson C. Holtje

Attorney, Agent, or Firm—James B. Middleton

[57] CLAIM

The new and novel design for coin sections for use with a cash drawer, substantially as shown and described.

DESCRIPTION

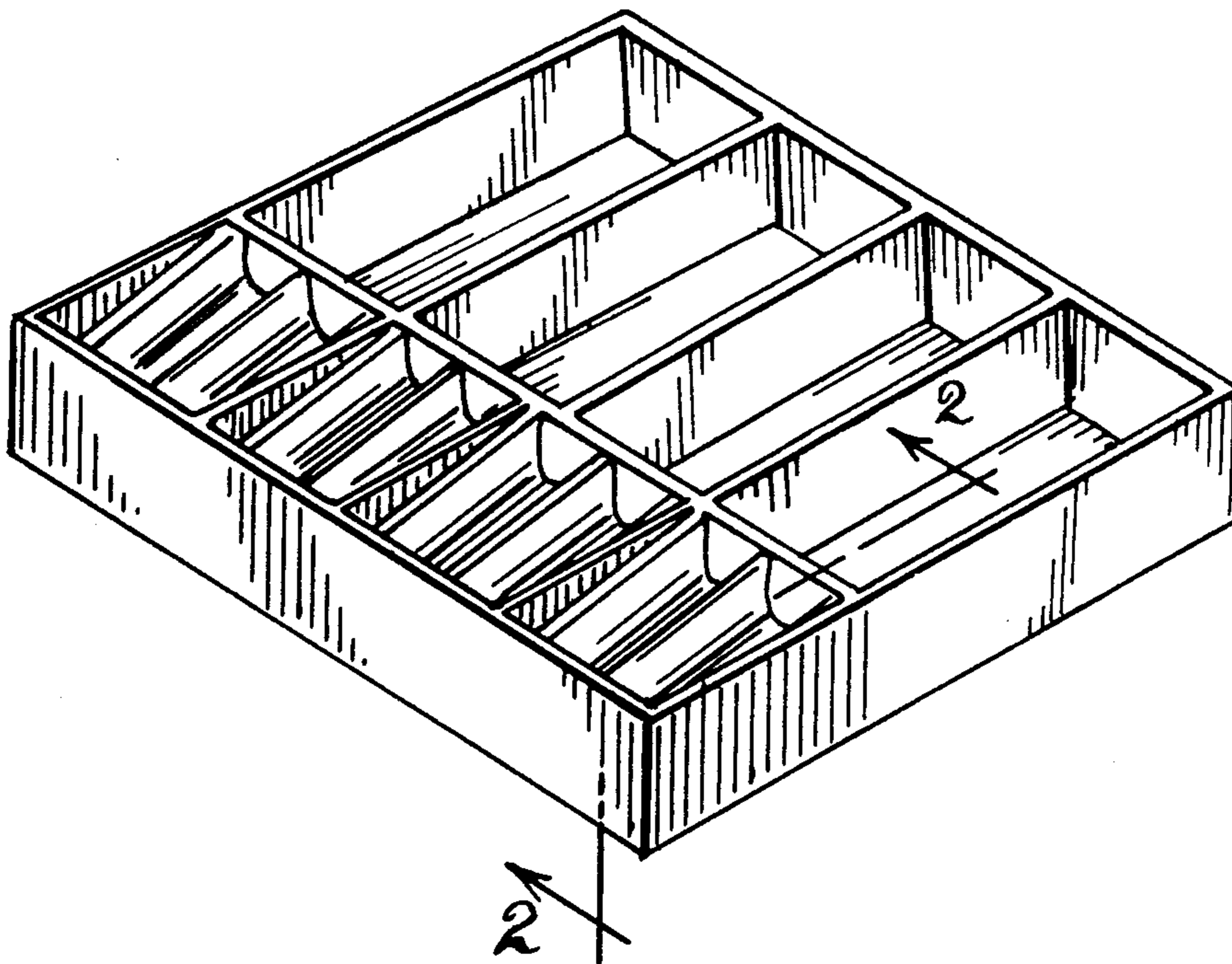
FIG. 1 is a perspective view of coin sections embodying the new design with a case drawer shown in broken lines;

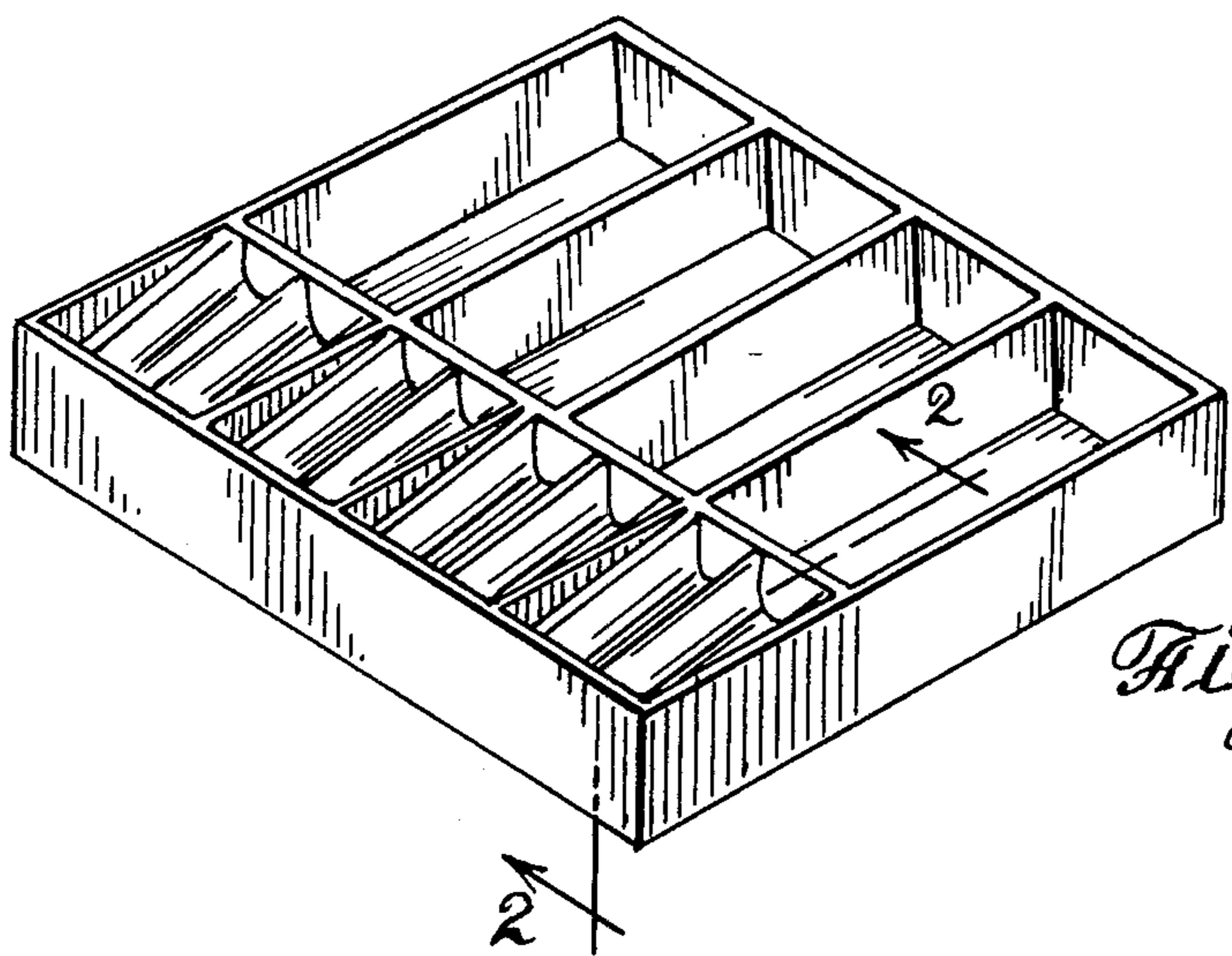
FIG. 2 is an enlarged cross-sectional view taken substantially along the line 2—2 in FIG. 1;

FIG. 3 is a top plan view of one of the coin sections shown in FIG. 1; and,

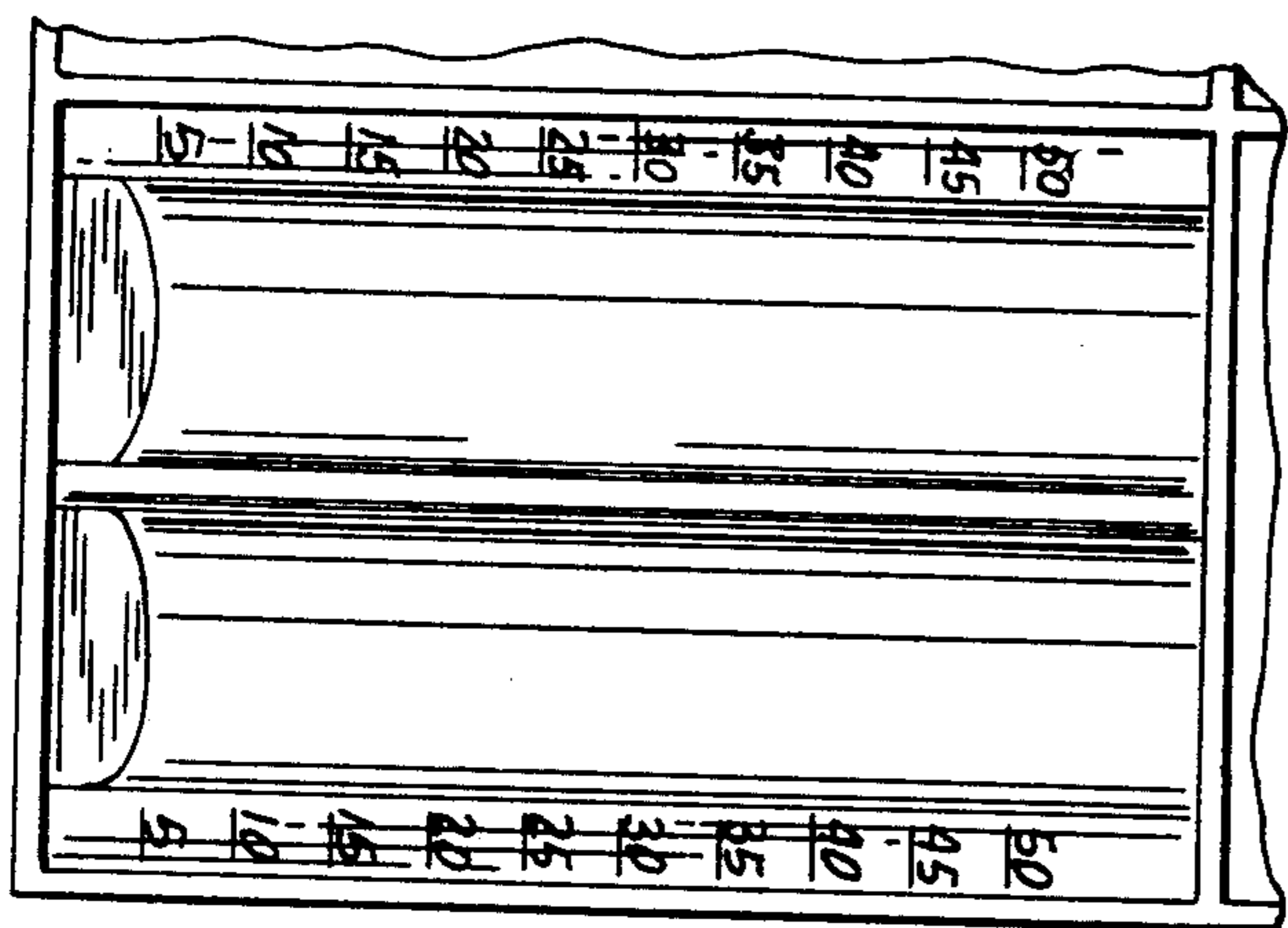
FIG. 4 is a cross-sectional view taken substantially along the line 4—4 in FIG. 2.

The end of the coin sections not shown is like the end shown in FIG. 1; and, each of the coin sections is like the coin section shown in detail in FIGS. 3, 4 and 5. The new and novel design resides in the portion shown in full lines.

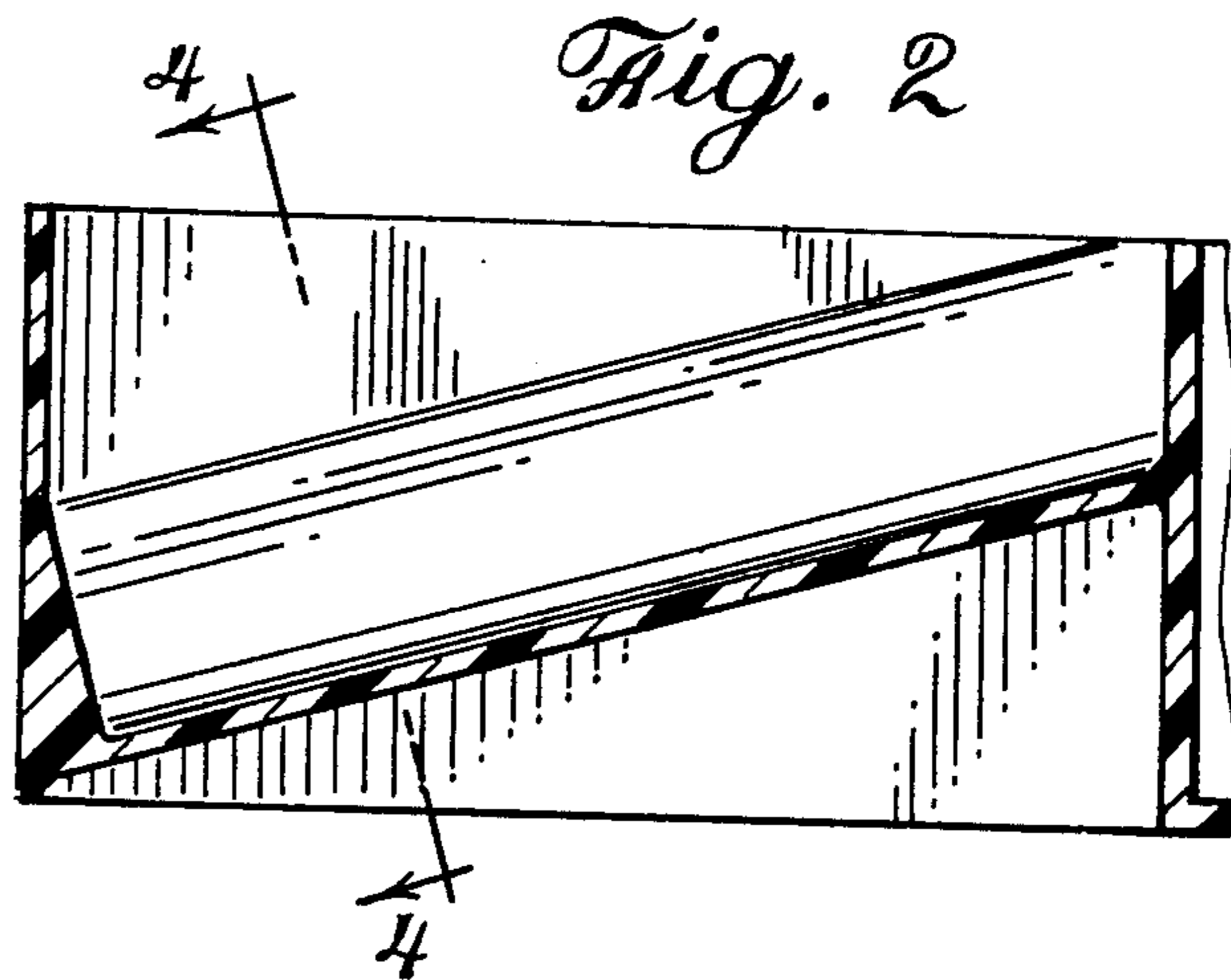




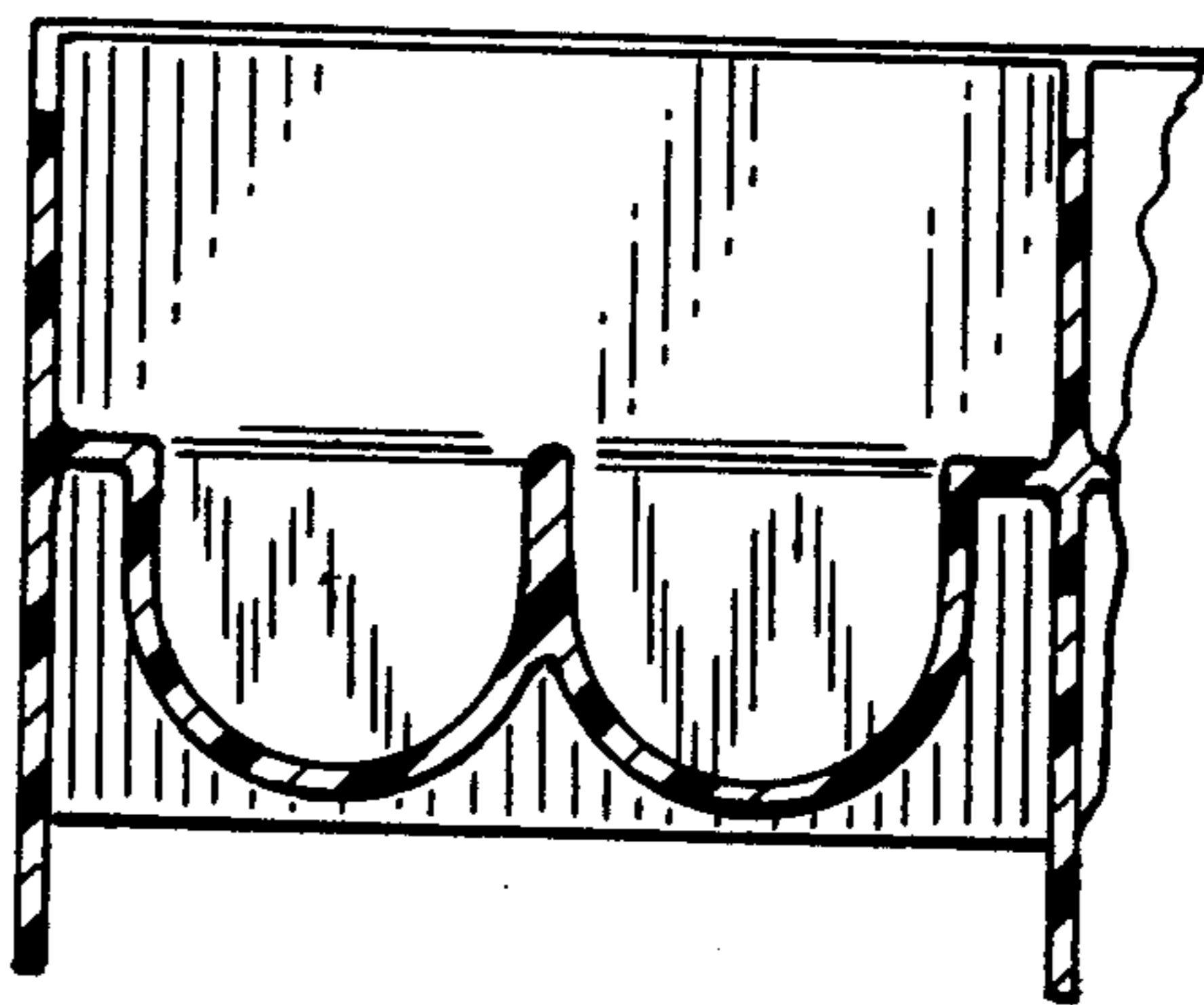
*Fig. 1*



*Fig. 3*



*Fig. 2*



*Fig. 4*

UNITED STATES PATENT AND TRADEMARK OFFICE  
**CERTIFICATE OF CORRECTION**

PATENT NO. : Des. 248,793  
DATED : August 1, 1978  
INVENTOR(S) : Tom H. Ross

It is certified that error appears in the above-identified patent and that said Letters Patent are hereby corrected as shown below:

The last sentence of the description should read:

The characteristic feature of my new and novel design resides in the coin sections of the cash drawer as shown.

The following new sentence should be added after the end of the Description:

The bottom of the remainder of the cash drawer is substantially unornamented.

The claim should read as follows:

-- The ornamental design for coin sections for use with a cash drawer substantially as shown and described. --.

**Signed and Sealed this**

*Thirteenth Day of March 1979*

[SEAL]

*Attest:*

**RUTH C. MASON**  
*Attesting Officer*

**DONALD W. BANNER**  
*Commissioner of Patents and Trademarks*