

[54] CONCRETE BASKETBALL STANDARD

[76] Inventor: James E. Miller, 12900 W. Ten Miles Rd., South Lyon, Mich. 48178

[\*\*] Term: 14 Years

[21] Appl. No.: 698,209

[22] Filed: Jun. 21, 1976

[51] Int. Cl. .... D21-03

[52] U.S. Cl. .... D34/5 VV; D25/77

[58] Field of Search ..... D34/5 VV; D25/77, 78; 273/1.5

[56] References Cited

U.S. PATENT DOCUMENTS

- D. 57,590 4/1921 Davis .....
- D. 173,068 9/1954 Harsh .....
- D. 203,037 11/1965 Blum .....

D. 229,430 11/1973 Fortin ..... D34/5 VV

Primary Examiner—Melvin B. Feifer  
Attorney, Agent, or Firm—Bernard J. Cantor

[57] CLAIM

The ornamental design for a concrete basketball standard, as shown and described.

DESCRIPTION

FIG. 1 is a side elevational view of a concrete basketball standard showing my new design, the opposite side elevational view being a mirror image thereof.

FIG. 2 is a rear perspective view of the design.

FIG. 3 is a front perspective view thereof.

FIG. 4 is a top, plan view thereof.

FIG. 5 is a cross-sectional view taken on 5-5 of FIG. 1.

FIG. 6 is a cross-sectional view taken on 6-6 of FIG. 1.

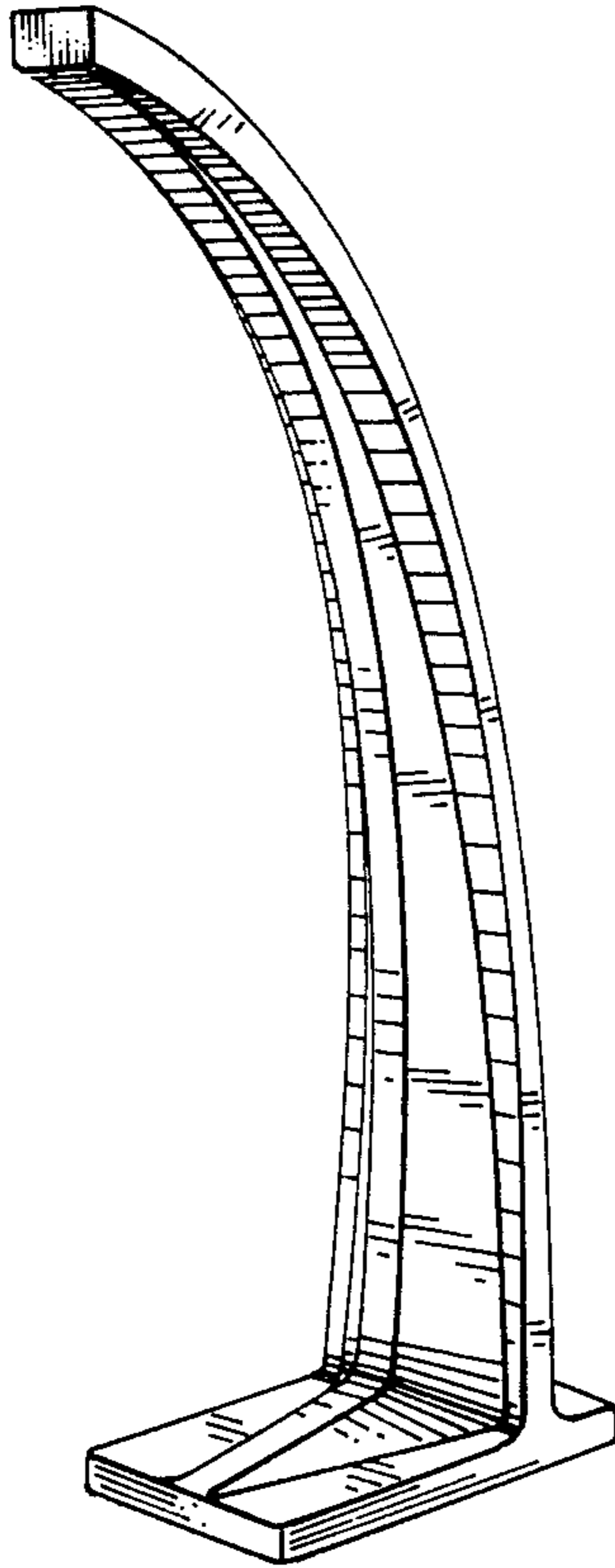


FIG. 1

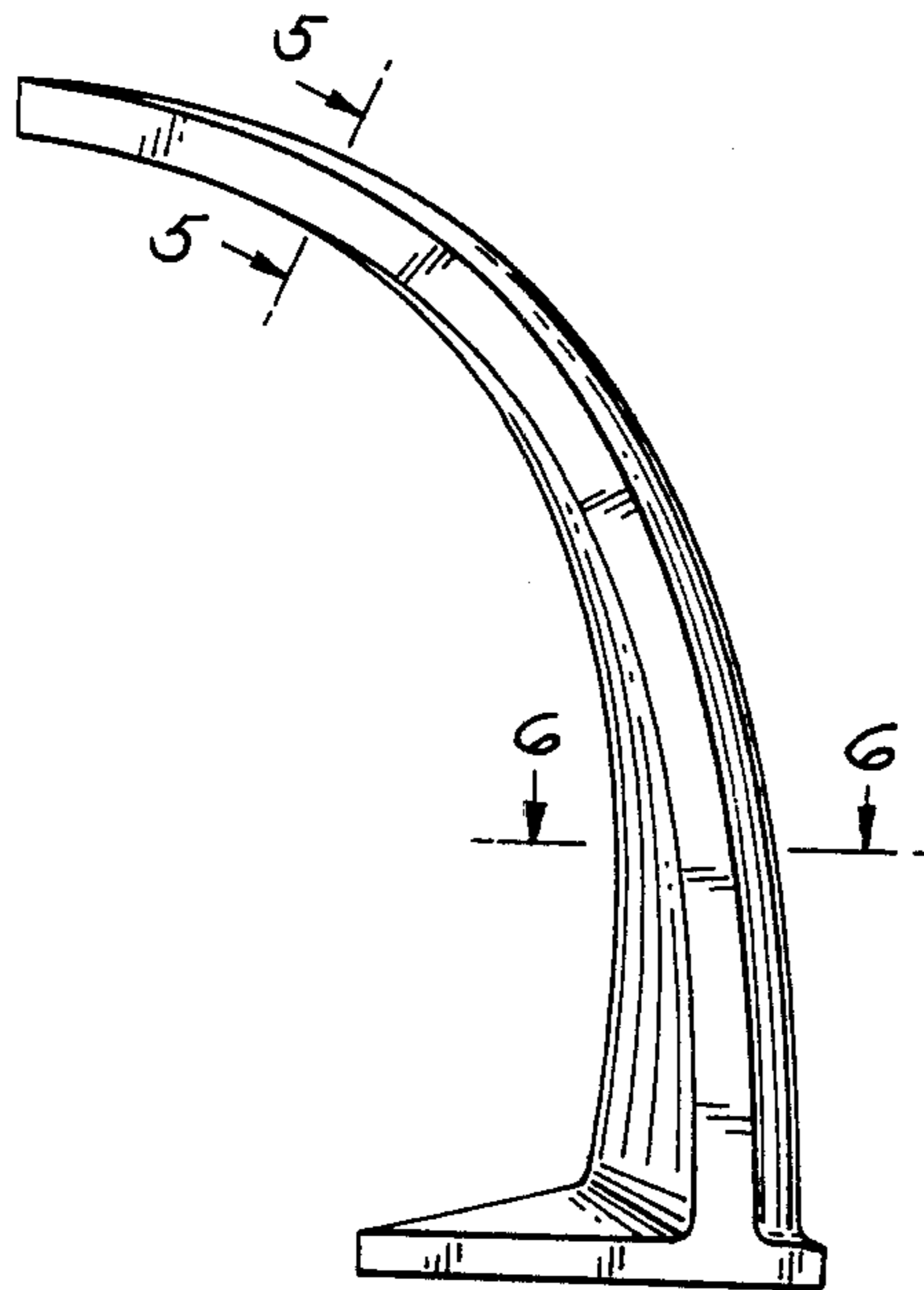


FIG. 3

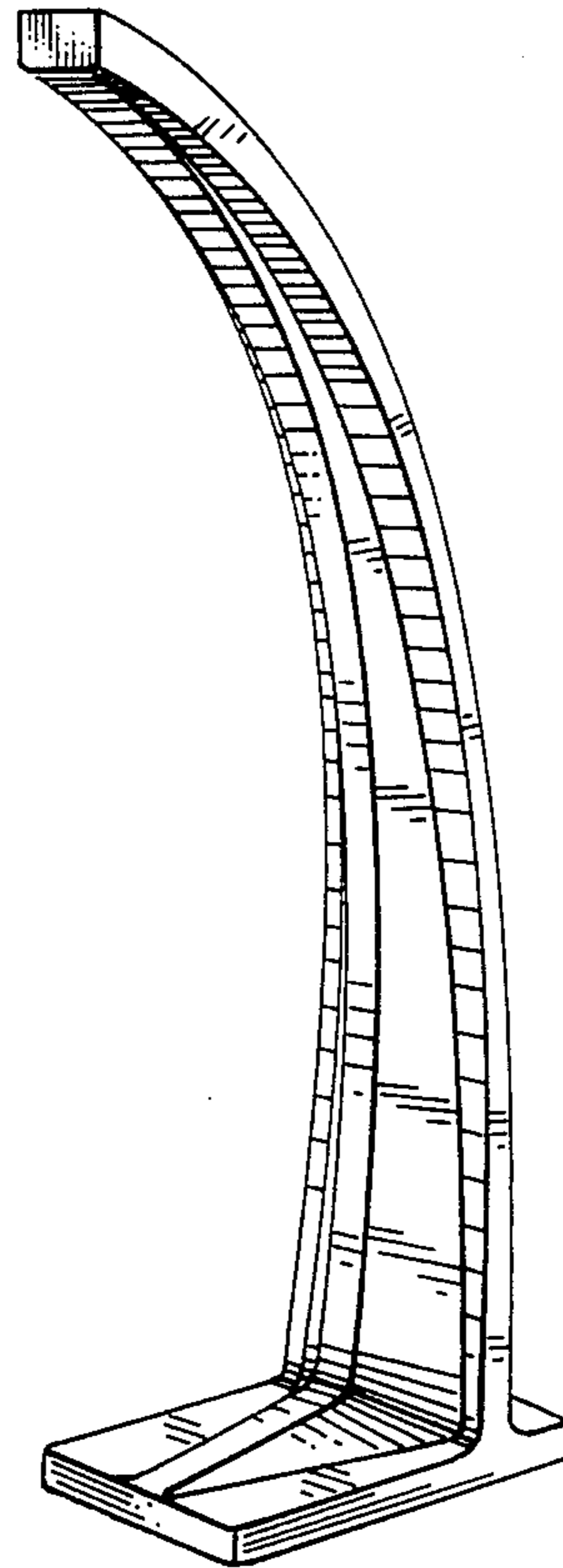


FIG. 4

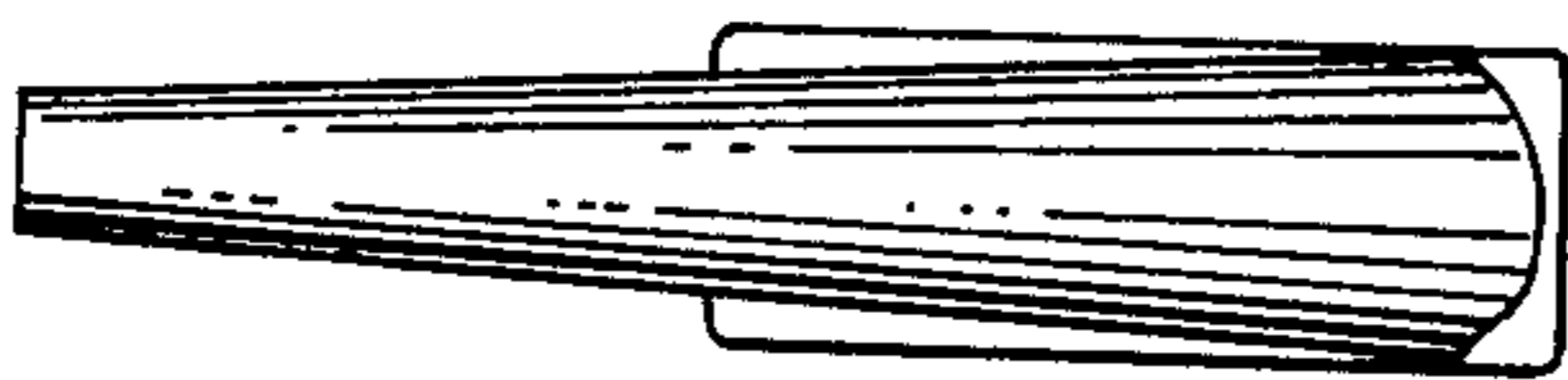


FIG. 2

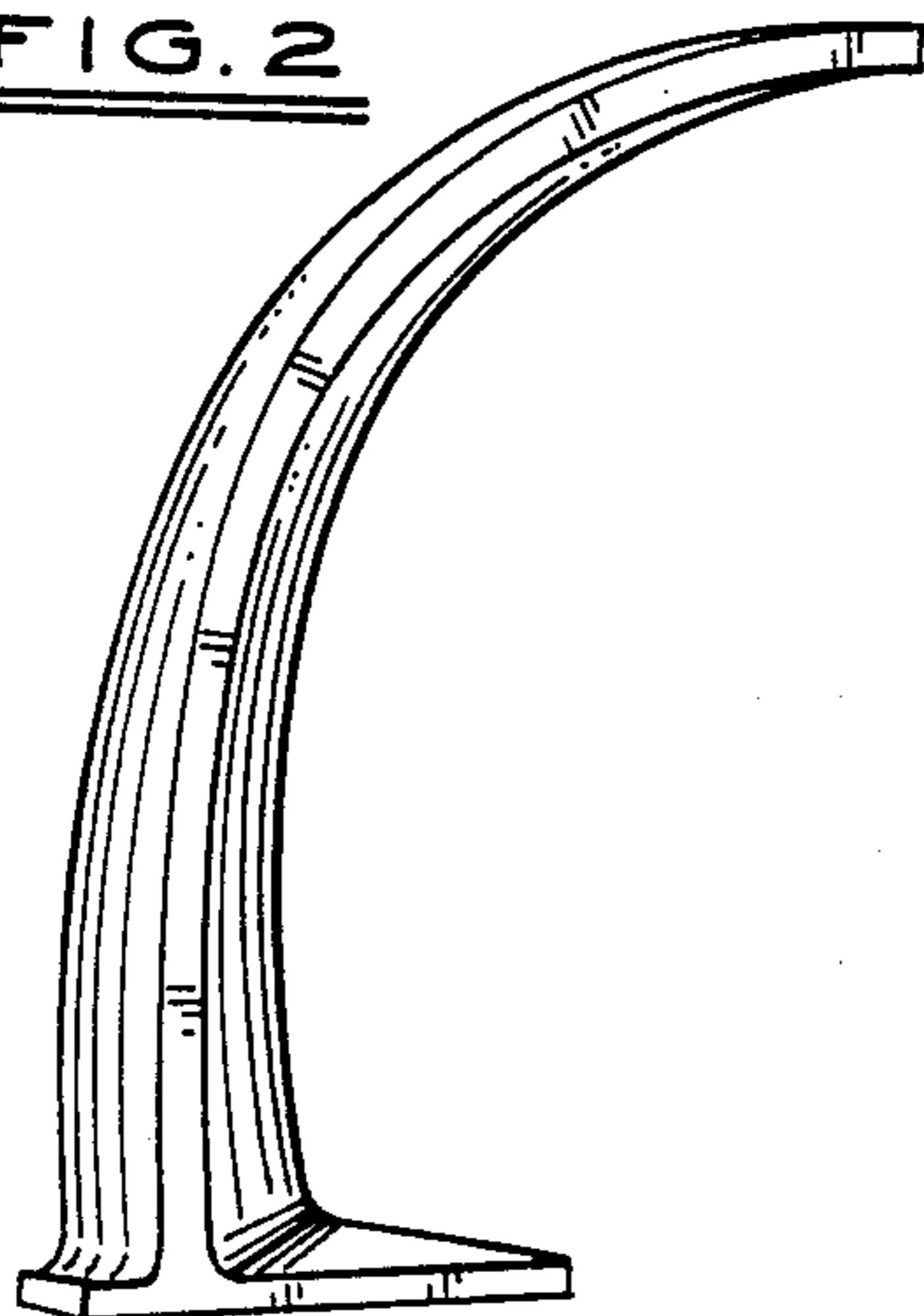


FIG. 5



FIG. 6

