

[54] LADDER PLATFORM

[75] Inventors: Edward Spencer, La Grange, Ill.; Harold R. Wing, Springville, Utah

[73] Assignee: Little Giant Industries, Inc., American Fork, Utah

[\*\*] Term: 14 Years

[21] Appl. No.: 691,644

[22] Filed: Jun. 1, 1976

[51] Int. Cl. .... D6-99

[52] U.S. Cl. .... D25/68

[58] Field of Search ..... D25/68, 69; 182/121

[56] References Cited

U.S. PATENT DOCUMENTS

1,920,552	8/1933	Dollerhide	182/121
2,500,559	3/1950	Miller	182/121
2,801,886	8/1957	Peterson	182/121
2,871,067	1/1959	Brogdon	182/121
3,511,338	5/1970	Chapman	182/121

FOREIGN PATENT DOCUMENTS

229,046 12/1958 Australia ..... 182/121

Primary Examiner—Wallace R. Burke  
Assistant Examiner—James M. Gandy  
Attorney, Agent, or Firm—H. Ross Workman

[57] CLAIM

The ornamental design for a ladder platform, as shown and described.

DESCRIPTION

FIG. 1 is a perspective view of a ladder platform showing our new design, it being understood that the broken line showing of the ladder is for illustrative purposes only;

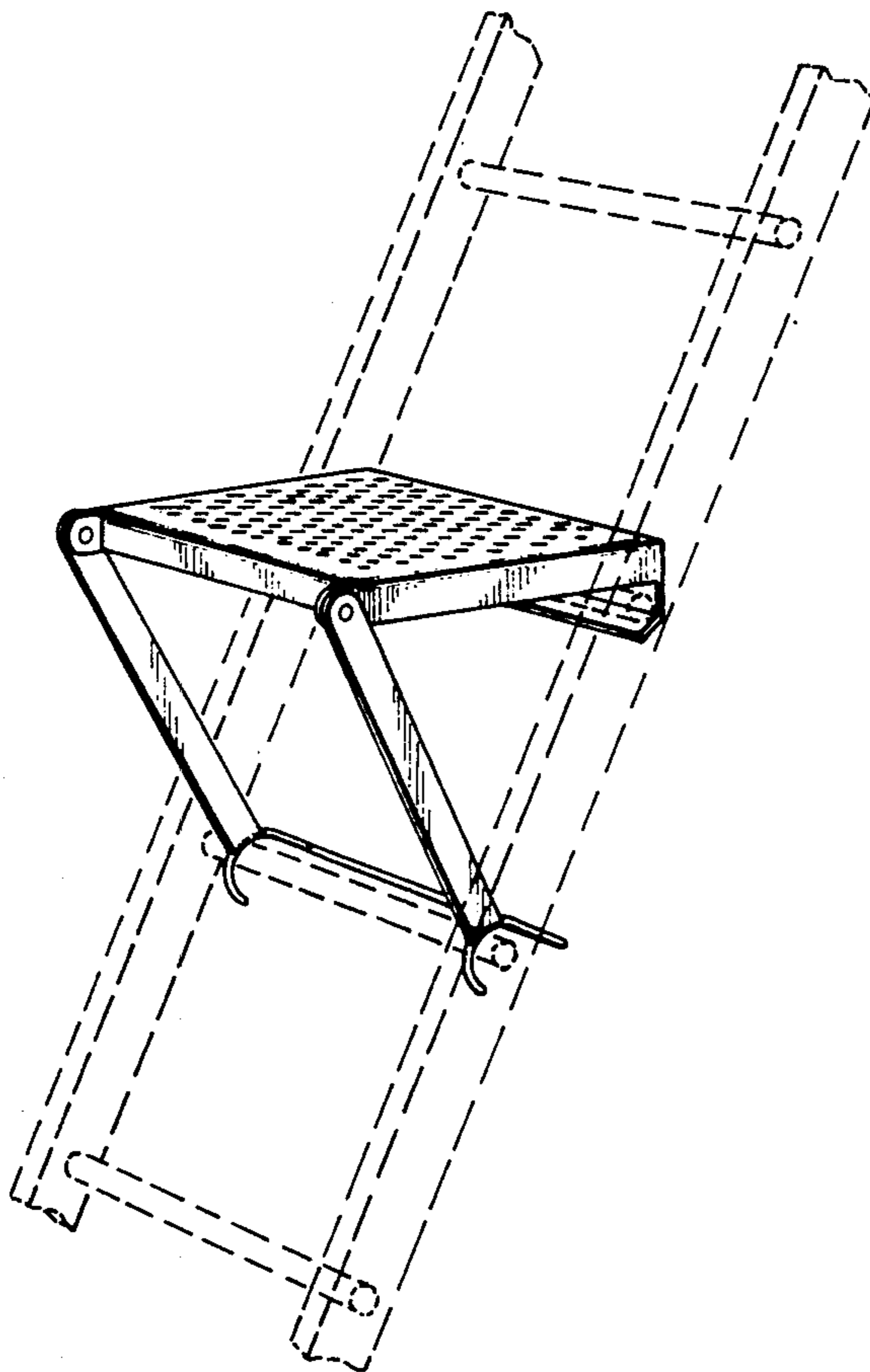
FIG. 2 is a perspective view thereof shown in an alternate position;

FIG. 3 is an enlarged top plan view thereof in folded condition;

FIG. 4 is a rear elevational view of FIG. 3;

FIG. 5 is a side elevational view of FIG. 3; and

FIG. 6 is a bottom plan view of FIG. 3.



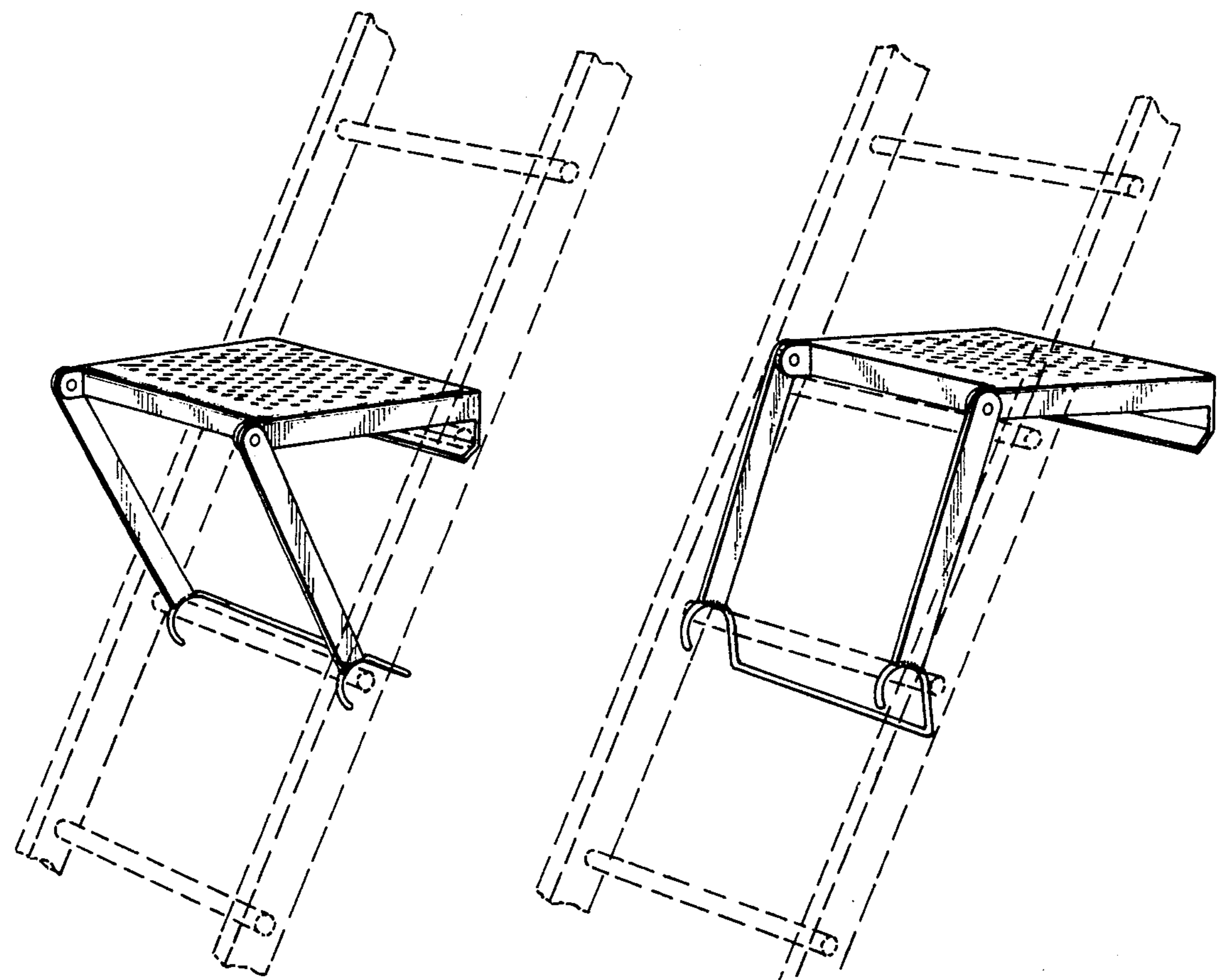


FIG. 1

FIG. 2

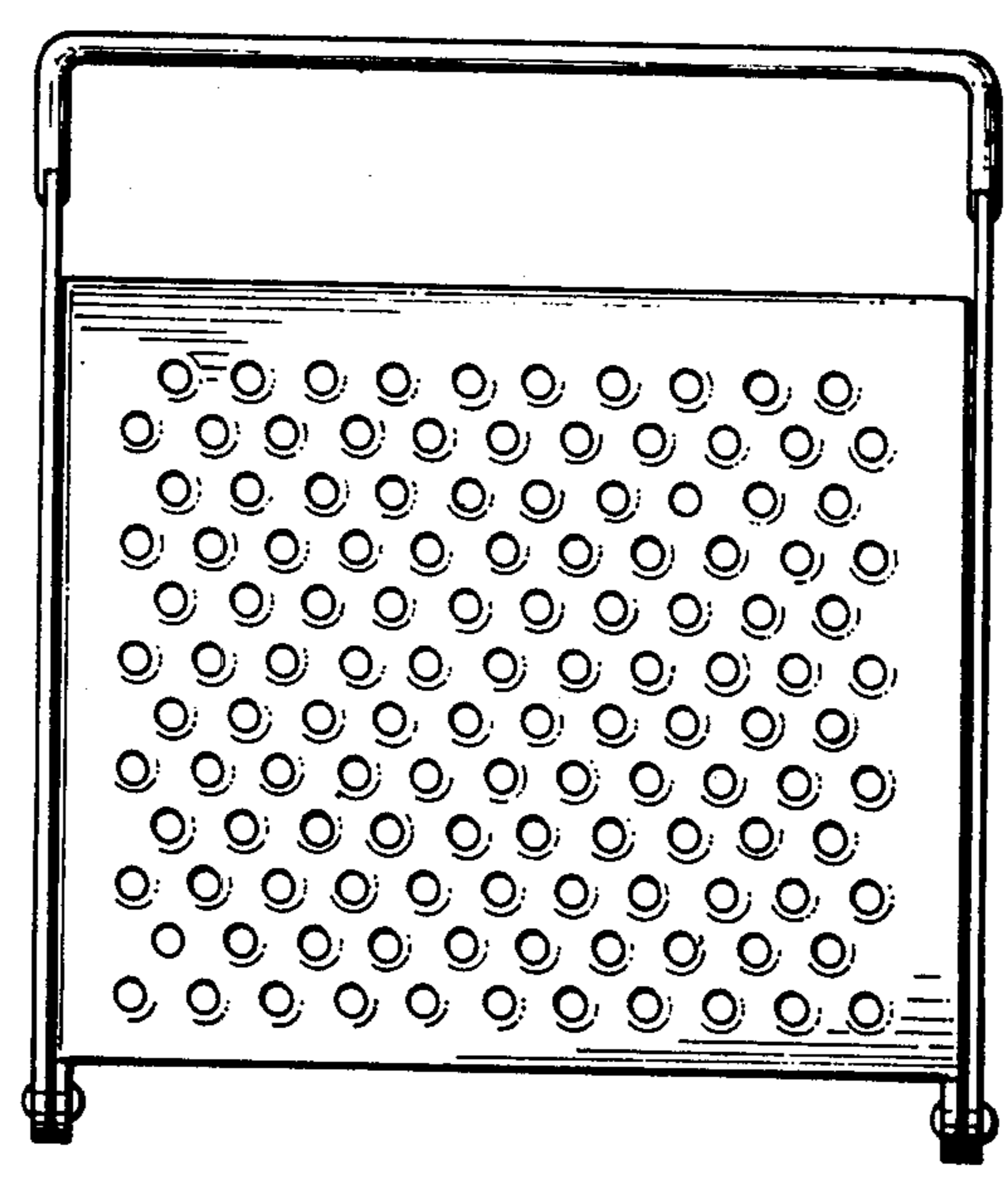


FIG. 3



FIG. 4

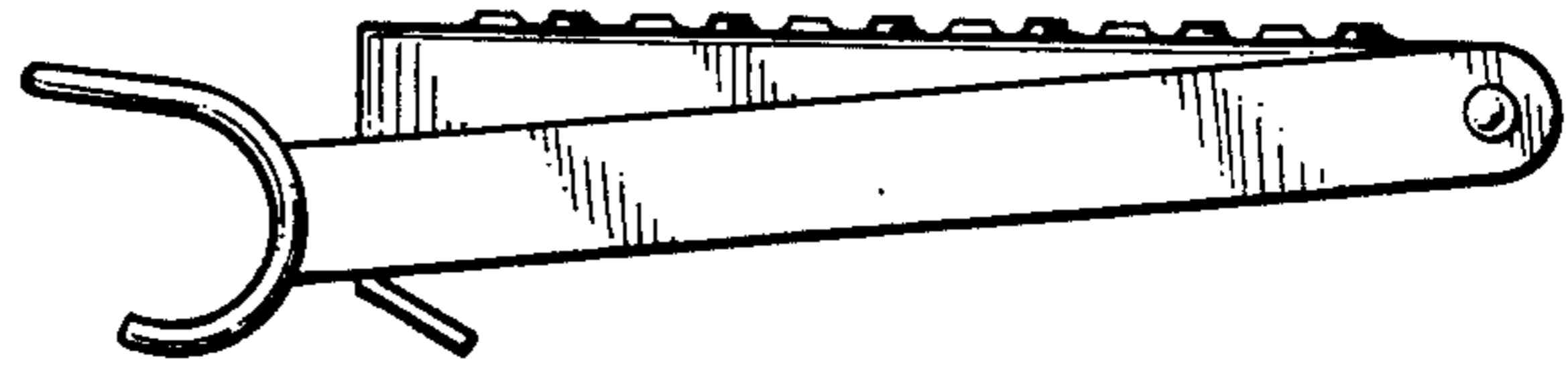


FIG. 5

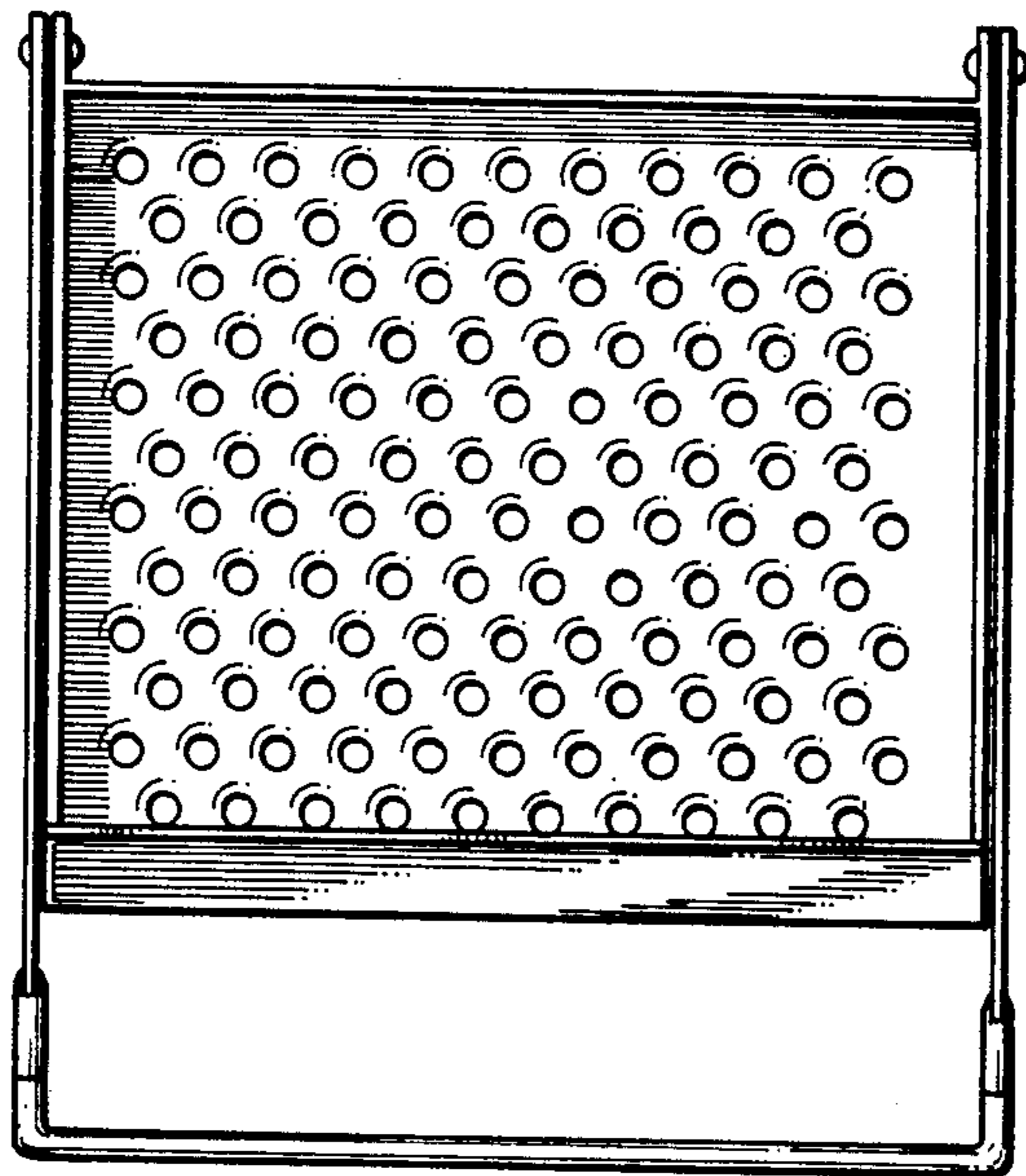


FIG. 6