

[54] TRANSIT SHELTER

[76] Inventor: Joseph E. Kinnebrew, IV, 13300 Beckwith Dr. NE., Lowell, Mich. 49331

[**] Term: 14 Years

[21] Appl. No.: 739,569

[22] Filed: Nov. 8, 1976

[51] Int. Cl. D25-99

[52] U.S. Cl. D25/18; D25/16; D25/56

[58] Field of Search 52/11, 36, 73, 79; D25/1, 16, 56, 18, 33

[56] References Cited

U.S. PATENT DOCUMENTS

D. 185,579 6/1959 Sklar D25/56 X
D. 190,411 5/1961 Ahrens D25/18

D. 198,565 7/1964 Cooper D25/56 X
D. 227,457 6/1973 Sklaroff D25/18
D. 238,163 12/1975 Enderling D25/18

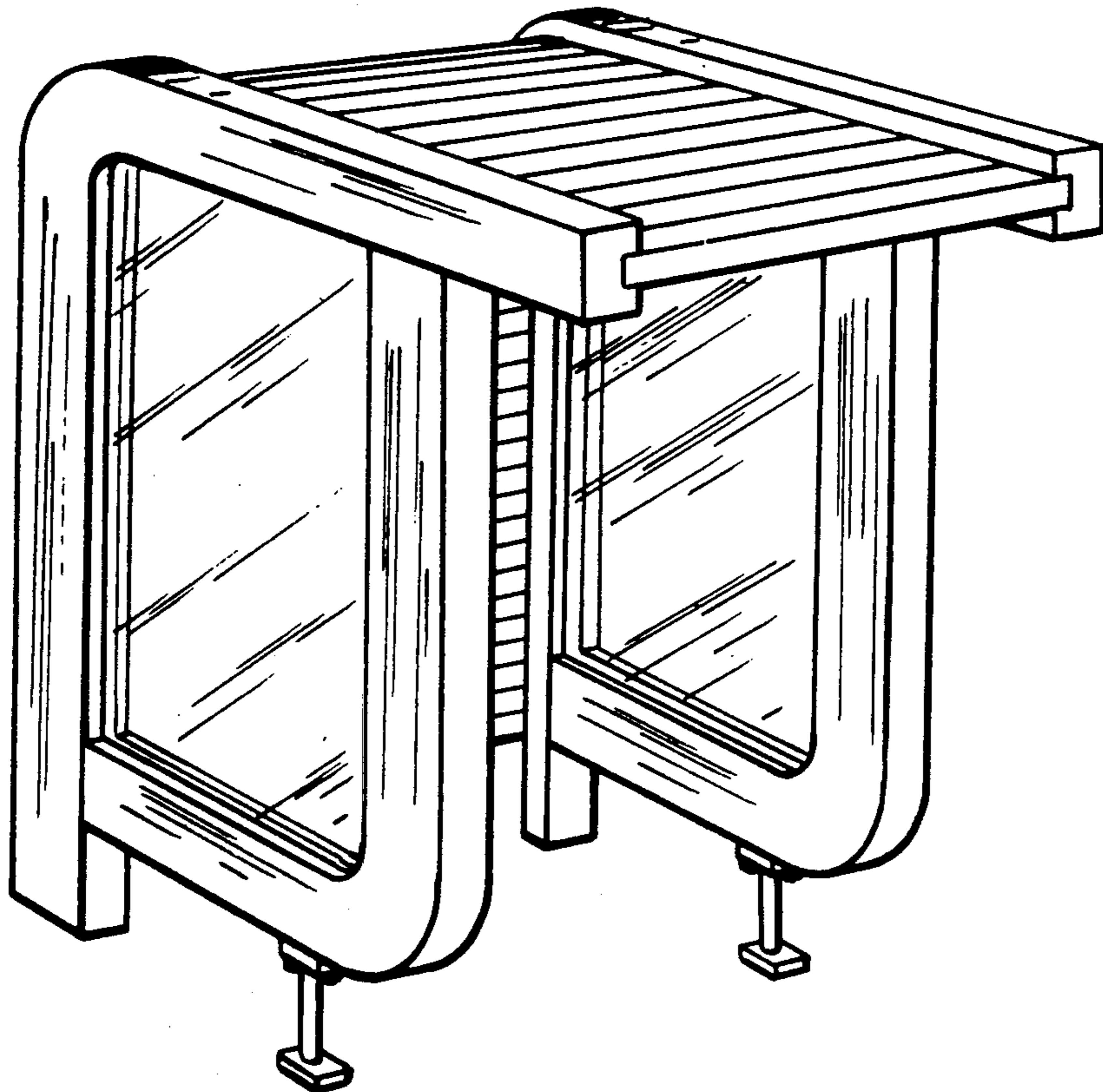
Primary Examiner—A. Hugo Word
Attorney, Agent, or Firm—John E. McGarry

[57] CLAIM

The ornamental design for a transit shelter, as shown and described.

DESCRIPTION

FIG. 1 is a front perspective view of my transit shelter design;
FIG. 2 is a front elevational view thereof;
FIG. 3 is a left side elevational view thereof, the opposite side view being identical;
FIG. 4 is a plan view thereof;
FIG. 5 is a rear elevational view thereof; and
FIG. 6 is a sectional view taken along lines 6—6 of FIG. 3.



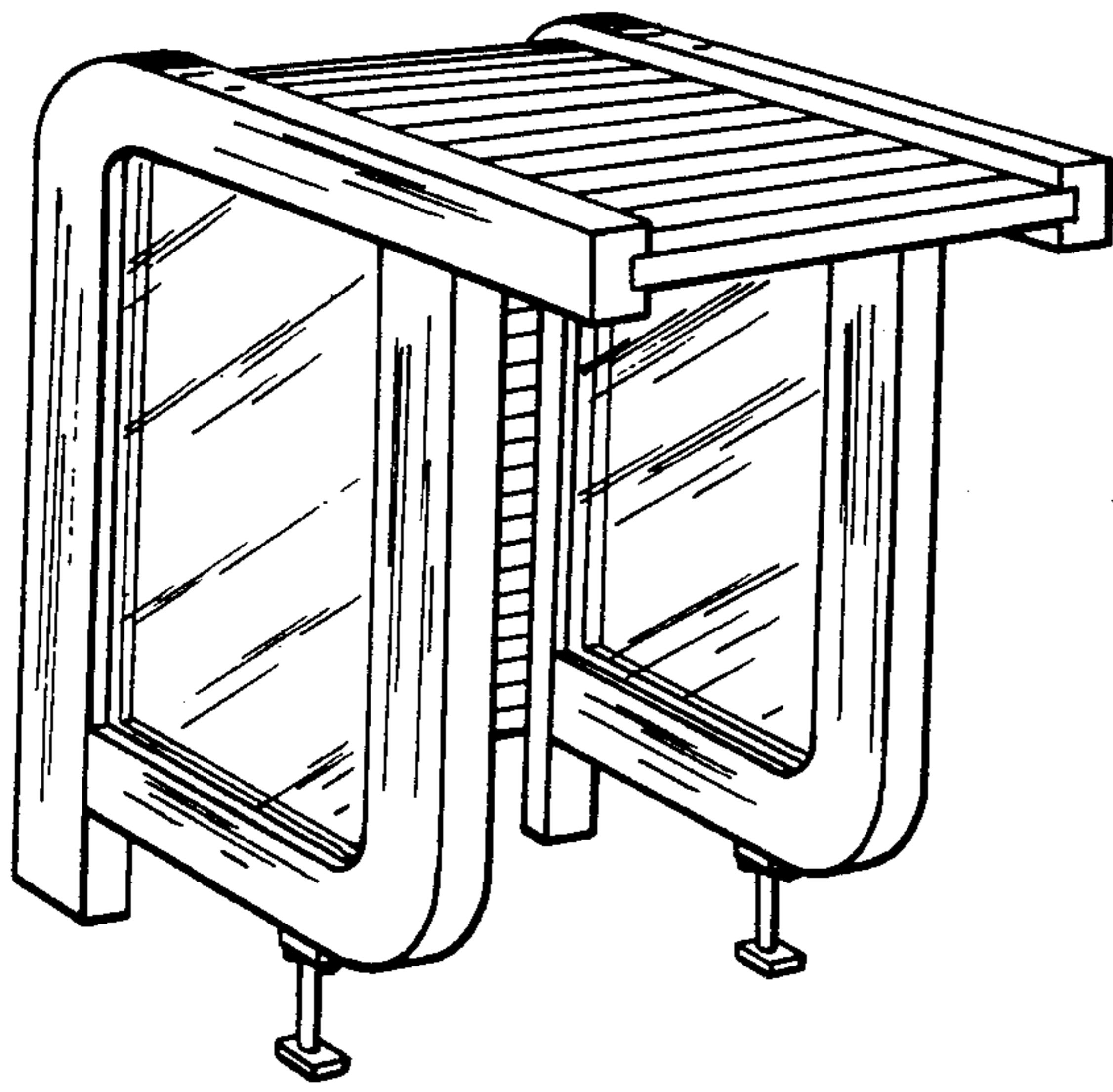


FIG. 1

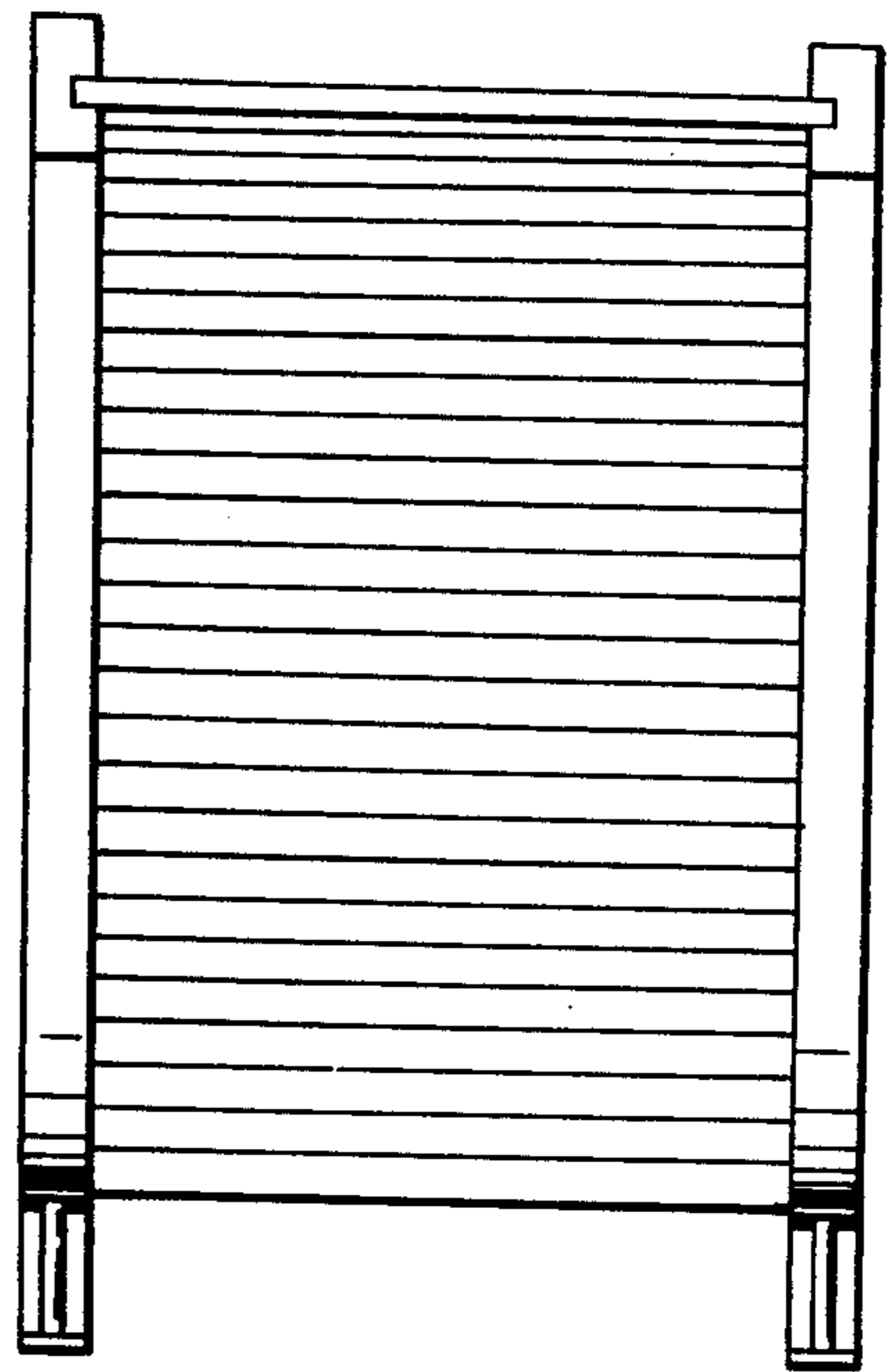


FIG. 2

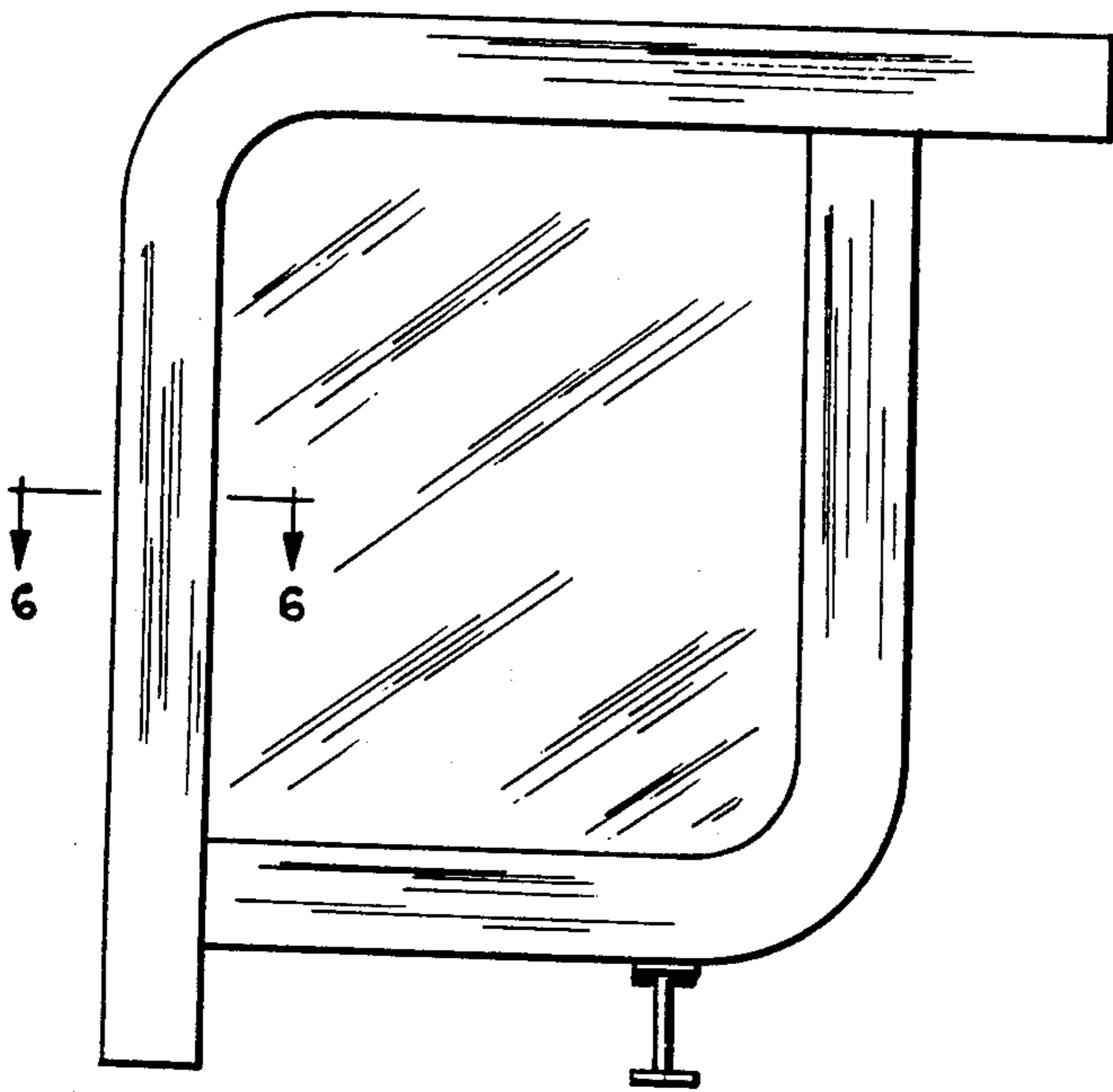


FIG. 3

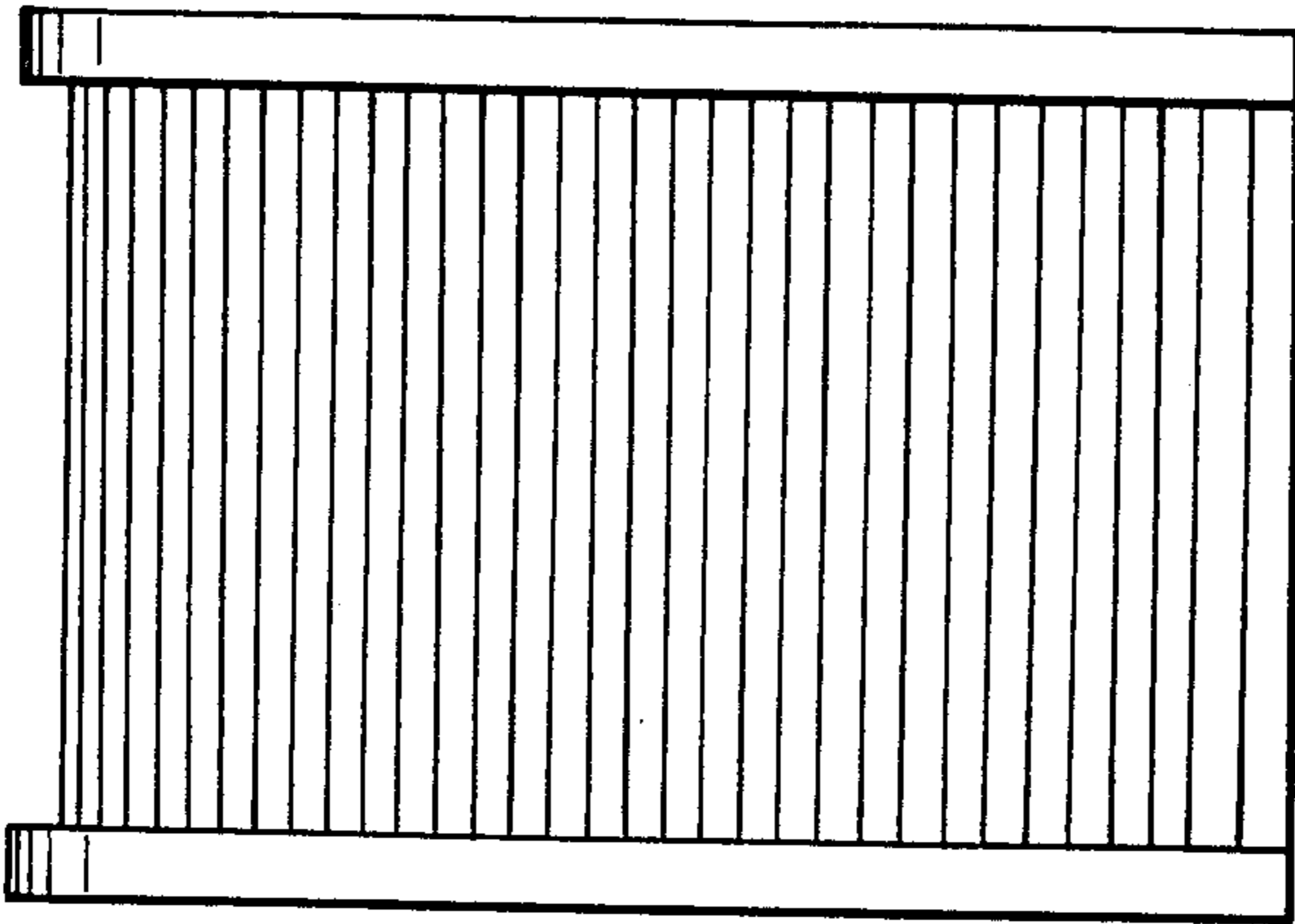


FIG. 4

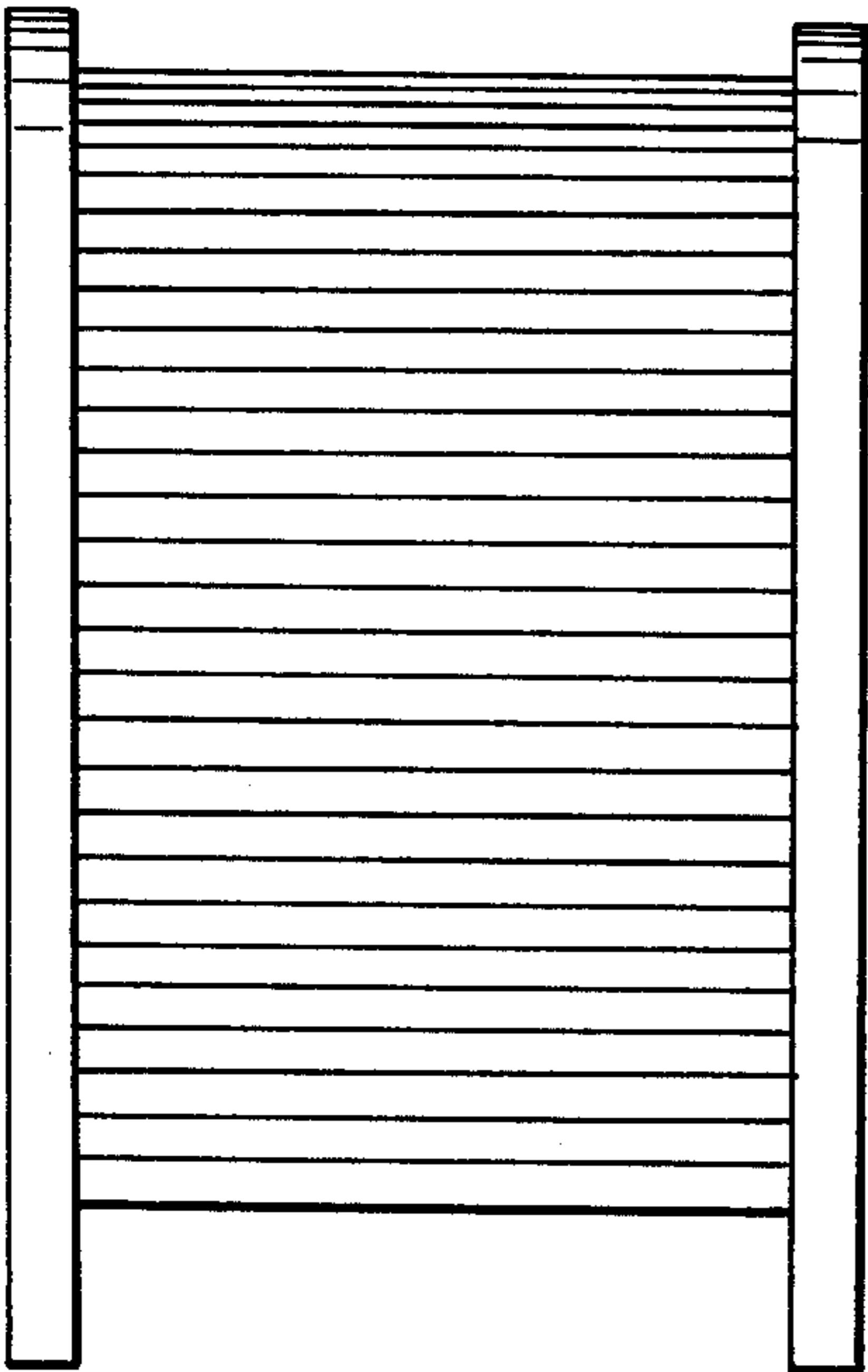


FIG. 5

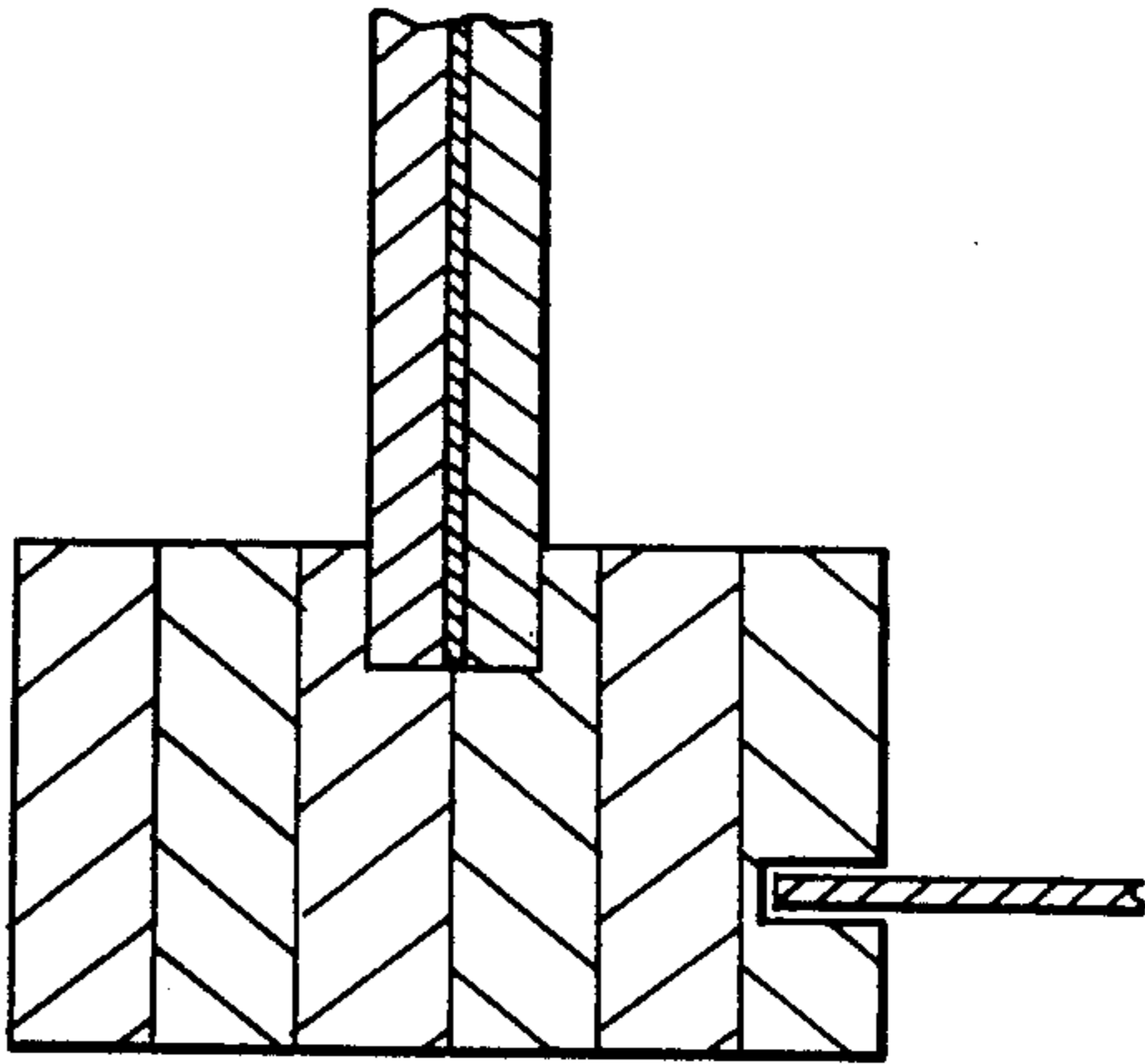


FIG. 6