

[54] **ORBITAL VIBRATORY MASSAGER**

[76] Inventor: **E. Lowell Schaefer**, 6347 Deerfield Ave., San Gabriel, Calif. 91775

[**] Term: **14 Years**

[21] Appl. No.: **763,068**

[22] Filed: **Jan. 27, 1977**

[51] Int. Cl. **D28—03; D24—99**

[52] U.S. Cl. **D24/36; 128/55**

[58] Field of Search 128/55, 32, 31, 36, 128/24.1, 41, 48, 51, 49, 52, 44, 24.2, 46; D24/36

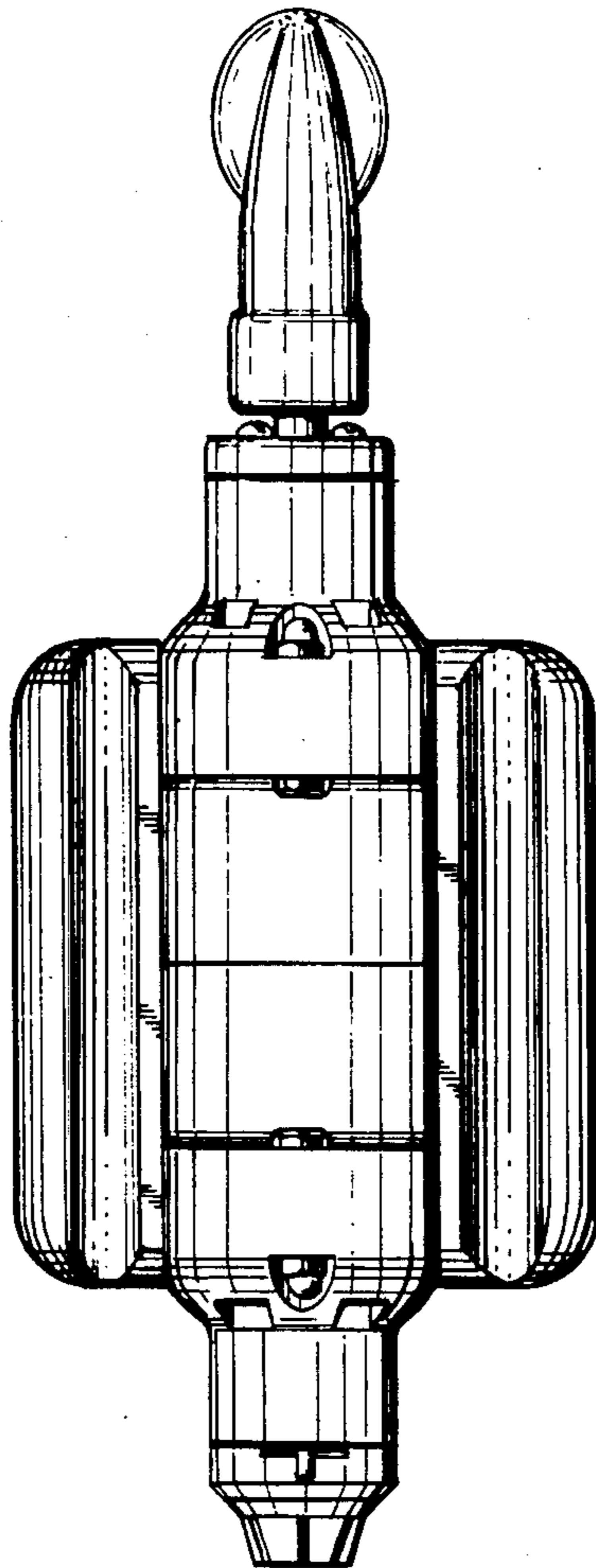
1,388,020 4/1920 Kojima 128/49
 3,370,583 2/1968 Teranishi 128/36 X
 3,841,321 10/1974 Albach et al. 128/36
 3,991,751 11/1976 O'Rourke 128/36

Primary Examiner—Bernard Ansher
Attorney, Agent, or Firm—Harvey C. Nienow

[56] **References Cited**
U.S. PATENT DOCUMENTS
 1,006,684 10/1911 Sands 128/46

[57] **CLAIM**
 The ornamental design for an orbital vibratory massager, as shown and described.

DESCRIPTION
 FIG. 1 is a top plan view of an orbital vibratory massager showing my new design;
 FIG. 2 is a side elevation thereof;
 FIG. 3 is a bottom plan view thereof;
 FIG. 4 is a rear elevation thereof; and
 FIG. 5 is a front elevation thereof.



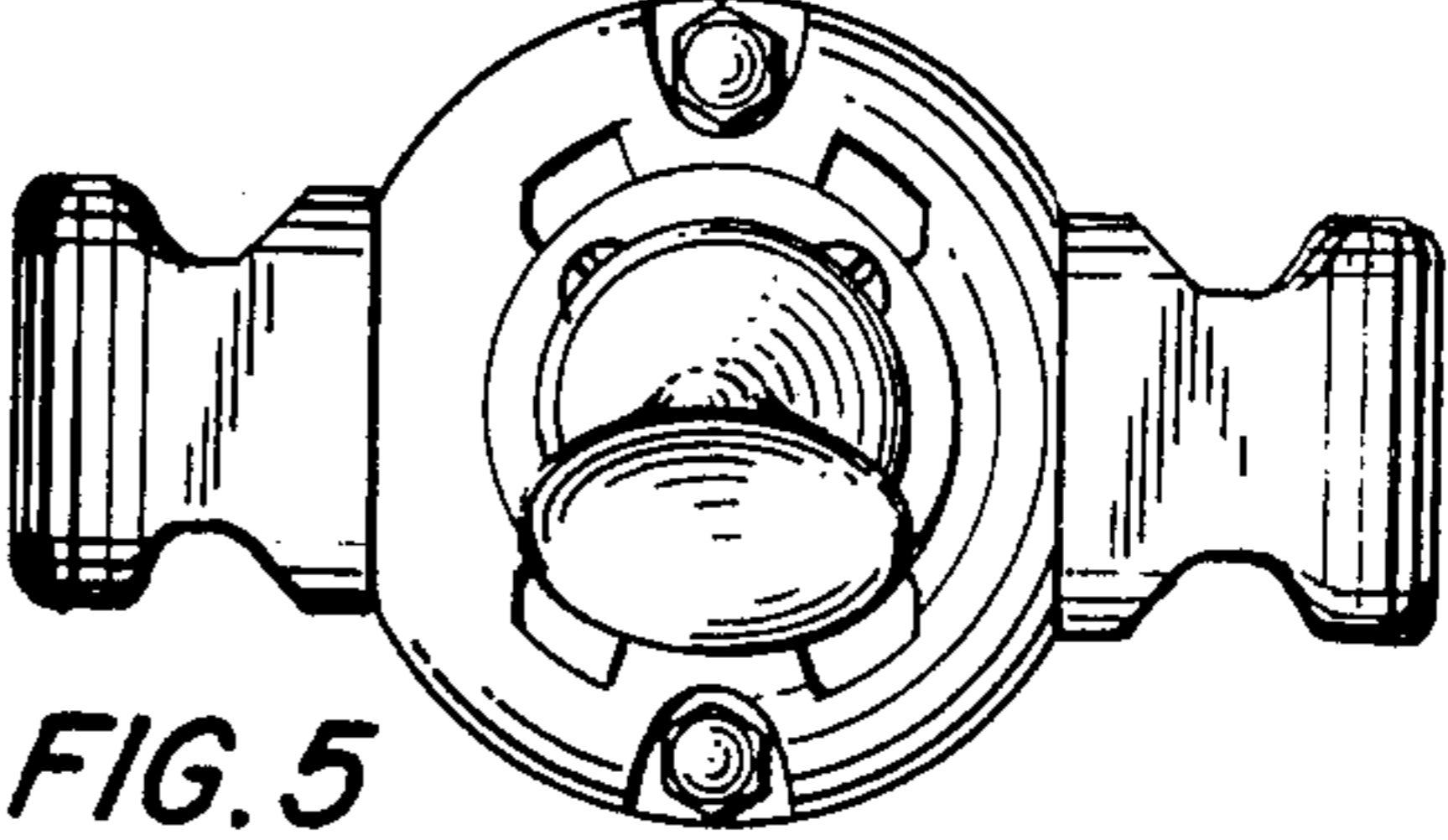


FIG. 5

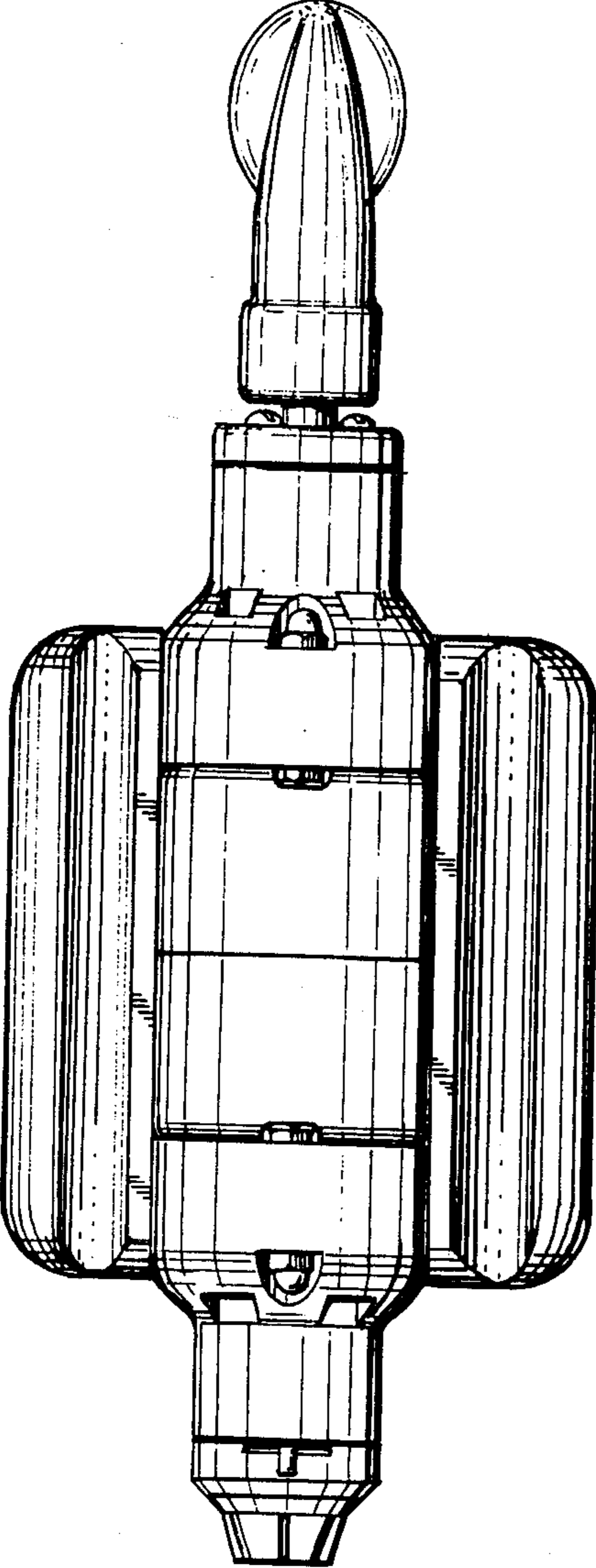


FIG. 1

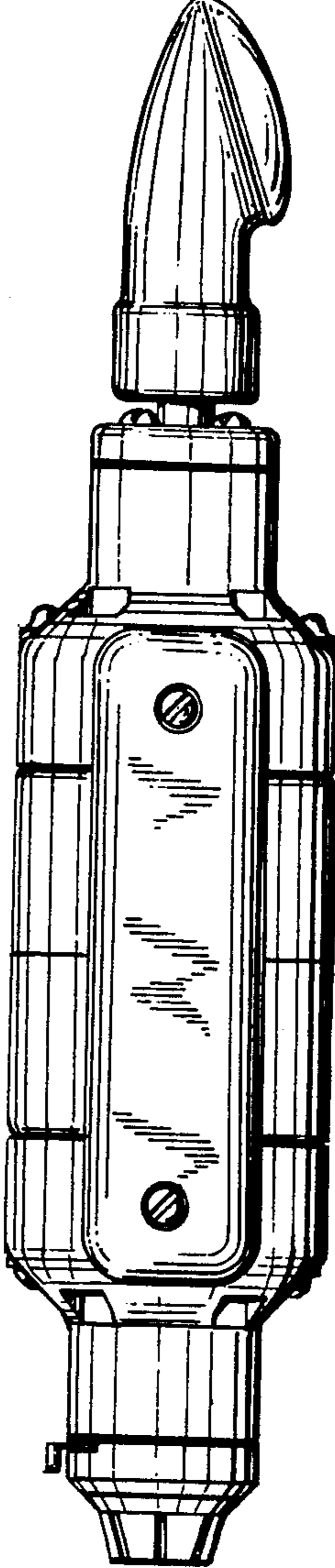


FIG. 2



FIG. 3

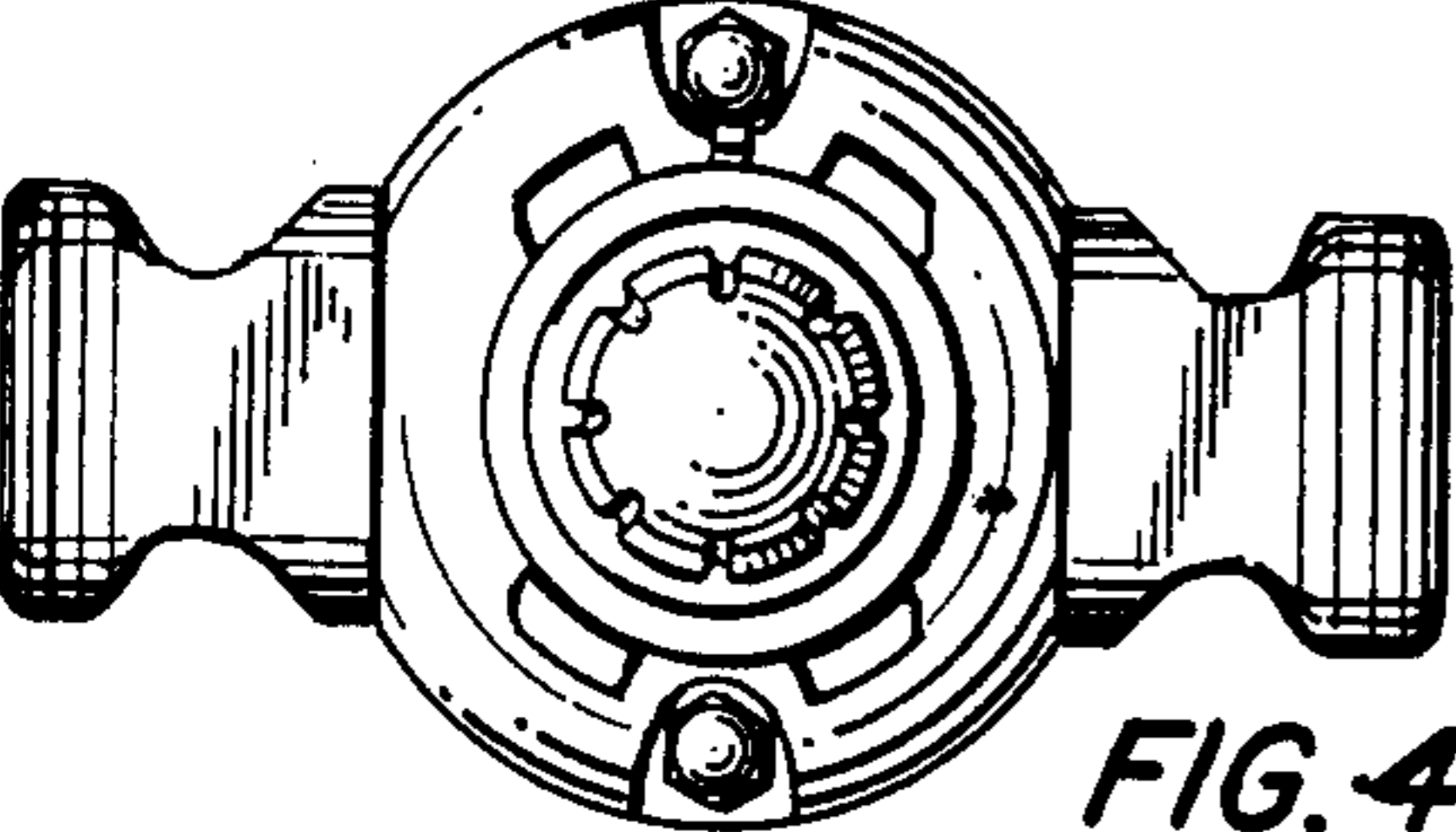


FIG. 4