

United States Patent [19]

Michaelsen

[11] **Des. 248,770**

[45] **** Aug. 1, 1978**

[54] **CONVECTOR PLATE**

[76] **Inventor:** Niels Runar Hilding Michaelsen, Bot
12031, 63012 Eskilstuna, Sweden

[**] **Term:** 14 Years

[21] **Appl. No.:** 670,390

[22] **Filed:** Mar. 25, 1976

[30] **Foreign Application Priority Data**

Sep. 30, 1975 [SE] Sweden 751945

[51] **Int. Cl.** D23—03

[52] **U.S. Cl.** D23/127

[58] **Field of Search** D23/127, 137; 126/6,
126/61, 63, 66, 67, 211, 220

[56]

References Cited

U.S. PATENT DOCUMENTS

D. 219,783 1/1971 McSwain D23/127
D. 221,853 9/1971 Kimura D23/127
D. 235,066 5/1975 Rasmusson D23/127

Primary Examiner—James R. Largen
Attorney, Agent, or Firm—Karl W. Flocks

[57]

CLAIM

The ornamental design for a convector plate, as shown.

DESCRIPTION

FIG. 1 is a bottom perspective view of a convector plate showing my new design; and FIG. 2 is a top perspective view thereof.

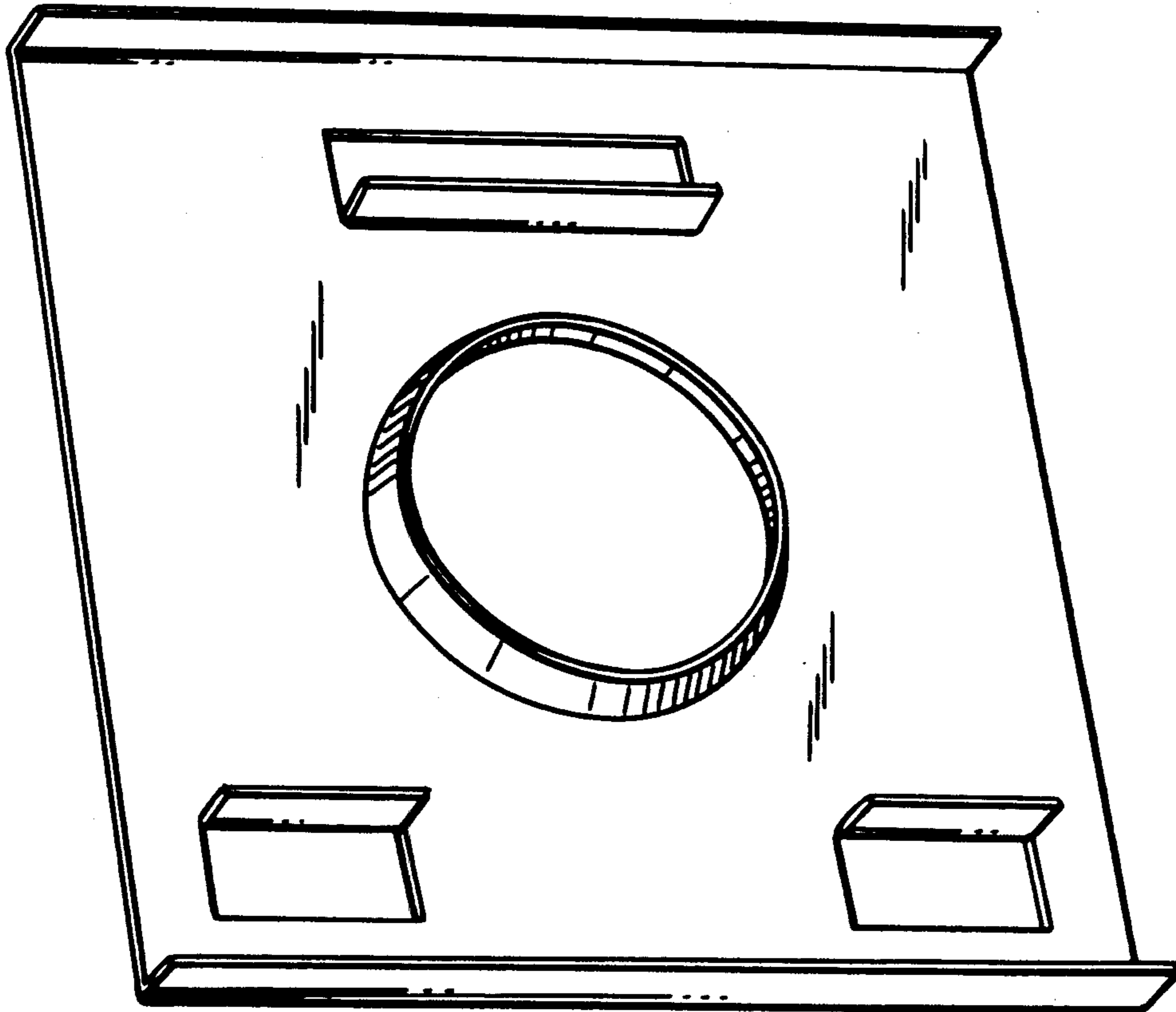


FIG. 1

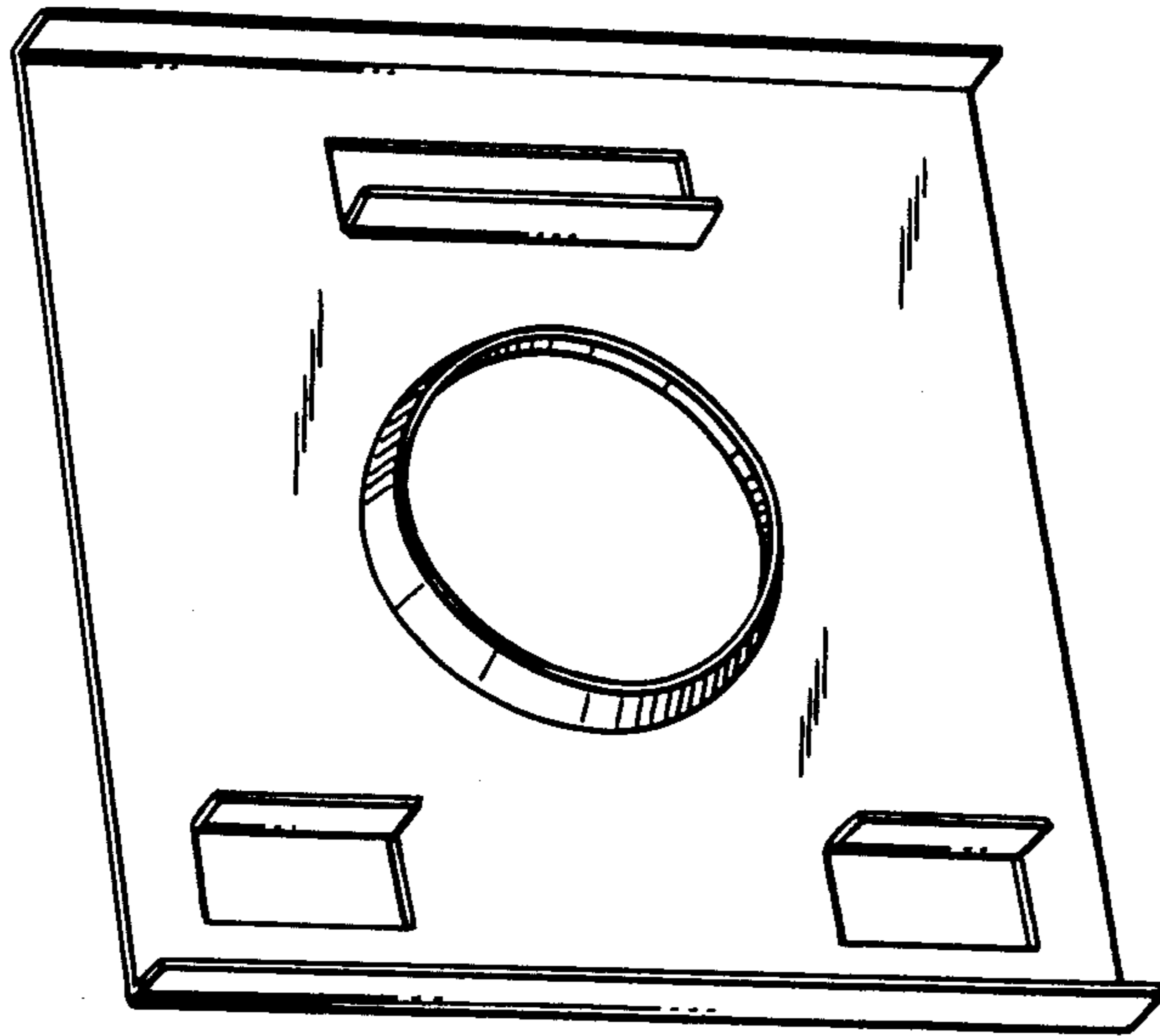


FIG. 2

