

[54] ENGINE SHROUD FOR ROTARY LAWN MOWER

[75] Inventors: Charles E. Uhlinger, Des Moines; Herbert Owen Dixon, Jr., Altoona, both of Iowa

[73] Assignee: AMF Incorporated, White Plains, N.Y.

[**] Term: 14 Years

[21] Appl. No.: 684,389

[22] Filed: May 7, 1976

[51] Int. Cl. D15-03

[52] U.S. Cl. D15/17

[58] Field of Search D15/17, 14; 56/17.4, 56/320.2

[56] References Cited

U.S. PATENT DOCUMENTS

D. 183,733	10/1958	Gale	D15/17
D. 237,524	11/1975	Cognata	D15/17
3,855,763	12/1974	Seifert	56/320.2

OTHER PUBLICATIONS

Sears 1970 Suburban & Farm Living Catalog, p. 166, Engine Shroud on Lawn Mower 5, bottom left side of page.

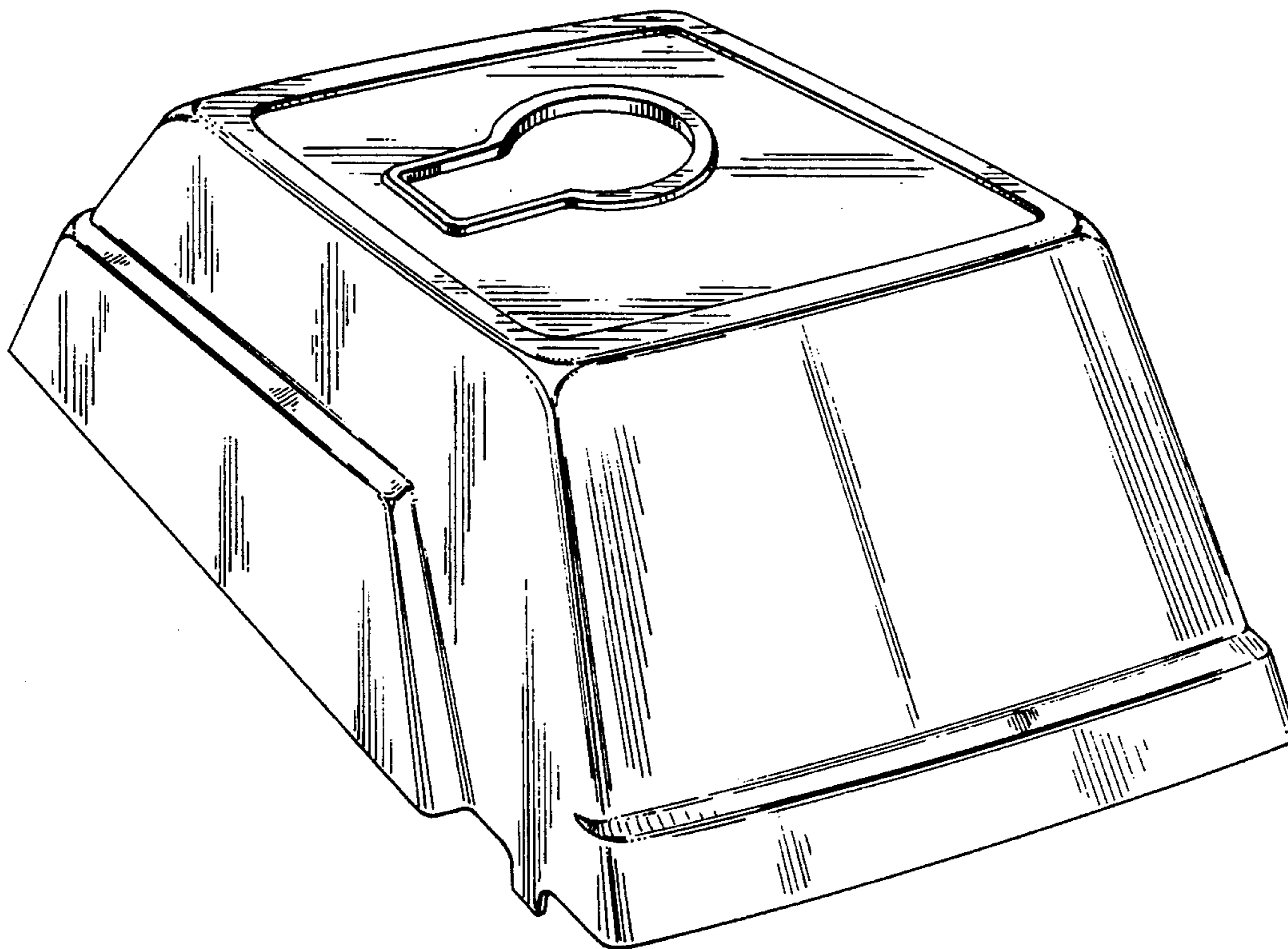
Primary Examiner—Wallace R. Burke
Assistant Examiner—James M. Gandy
Attorney, Agent, or Firm—George W. Price

[57] CLAIM

Ornamental design for engine shroud for rotary lawn mower, as shown.

DESCRIPTION

FIG. 1 is a top perspective view of our engine shroud for a rotary lawn mower showing our new design; FIG. 2 is a bottom perspective view thereof taken from the opposite end of FIG. 1; and FIG. 3 is a top plan view thereof.



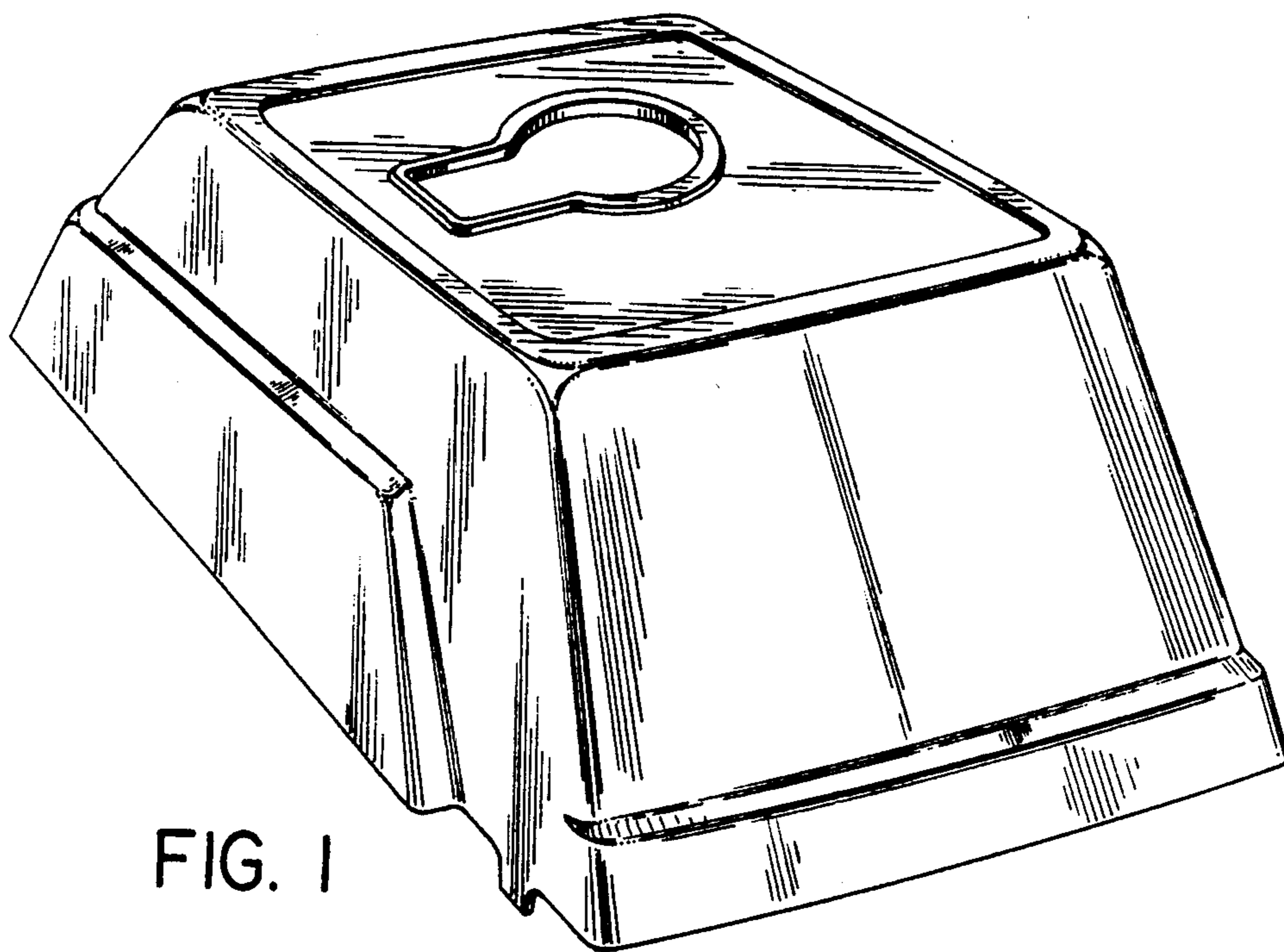


FIG. 1

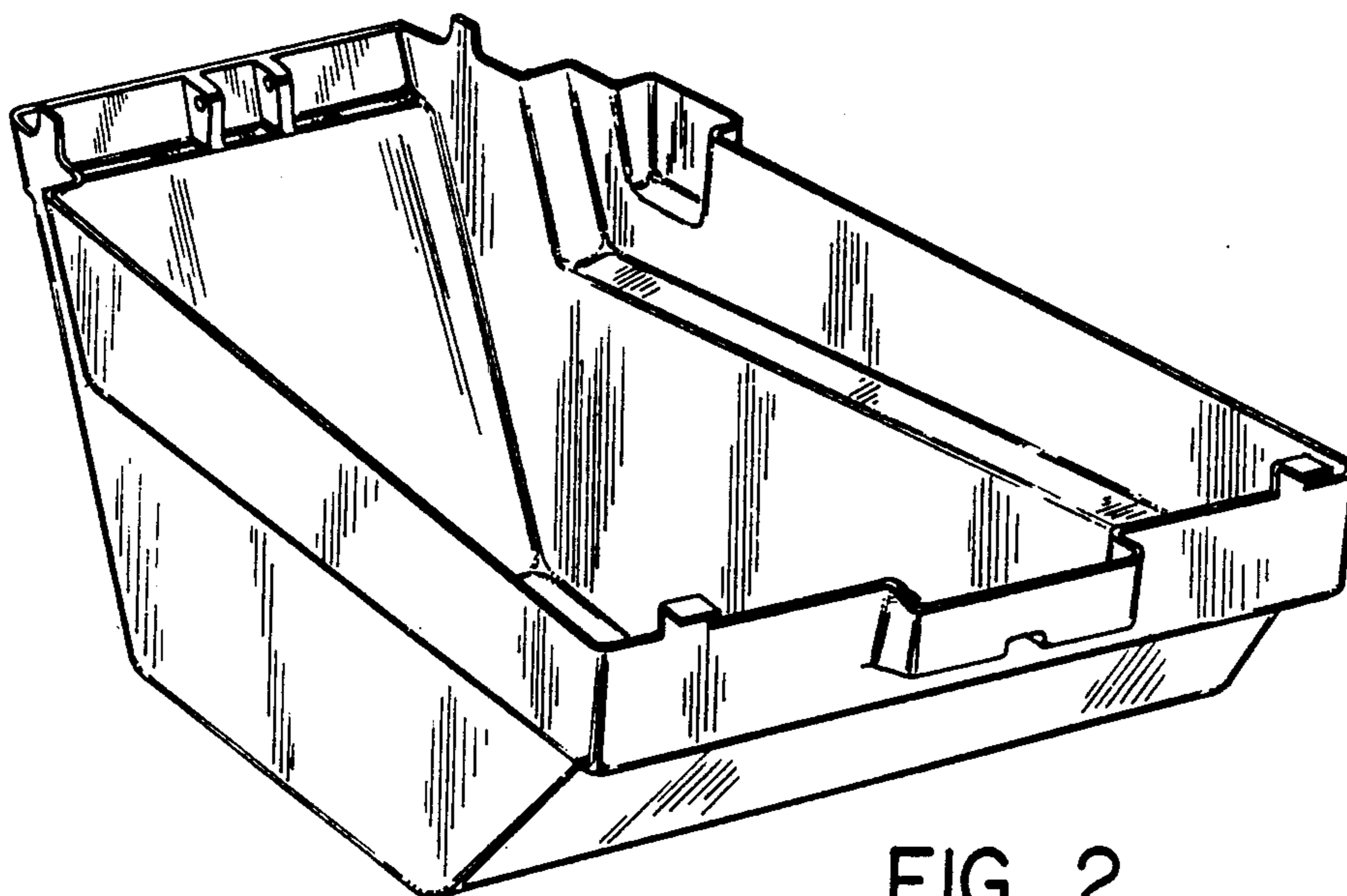


FIG. 2

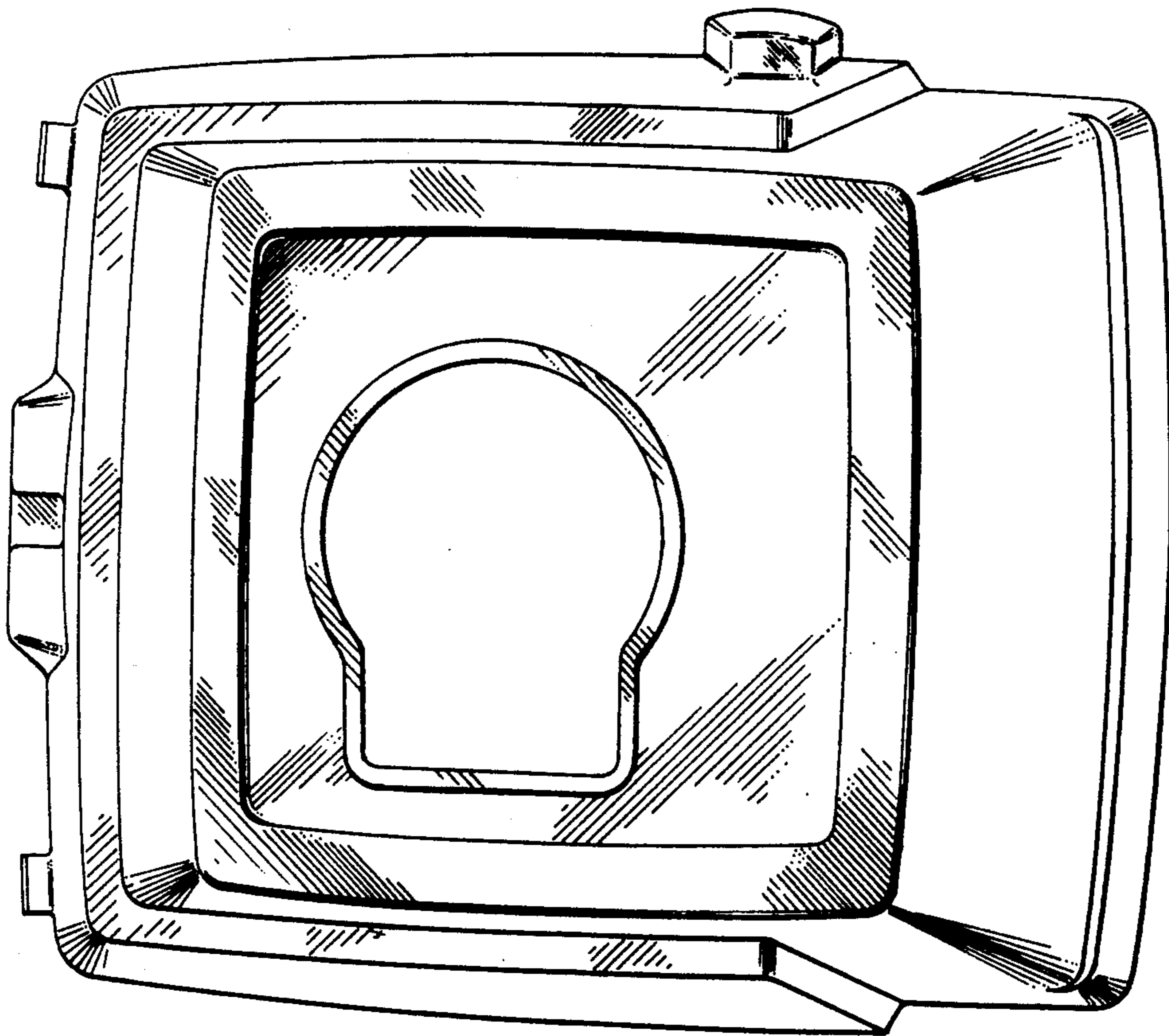


FIG. 3