

[54] VEHICULAR TELEPHONE APPARATUS OR SIMILAR ARTICLE

[75] Inventors: Rudolph William Krolopp, Palatine; Orville Walter Larson, Elmhurst, both of Ill.

[73] Assignee: Motorola, Inc., Schaumburg, Ill.

[**] Term: 14 Years

[21] Appl. No.: 713,762

[22] Filed: Aug. 12, 1976

[51] Int. Cl. D14-03

[52] U.S. Cl. D14/53; D14/52; D14/58

[58] Field of Search D26/14 A, 14 K; 179/179, 178, 100 R, 100 D; D14/52, 53, 58

[56] References Cited

U.S. PATENT DOCUMENTS

D. 234,849	4/1975	Tyson et al.	D26/14 A
D. 237,281	10/1975	Spranger et al.	D26/14 A
3,444,329	5/1969	Krumeich	179/100 R

OTHER PUBLICATIONS

Motorola Vehicular Communications, © 1974, p. 12, Car Telephone.

Primary Examiner—Bernard Ansher
Attorney, Agent, or Firm—Victor Myer

[57] CLAIM

The ornamental design for a vehicular telephone apparatus or similar article, substantially as shown and described.

DESCRIPTION

FIG. 1 is a top perspective view of a vehicular telephone apparatus or similar article showing our new design;

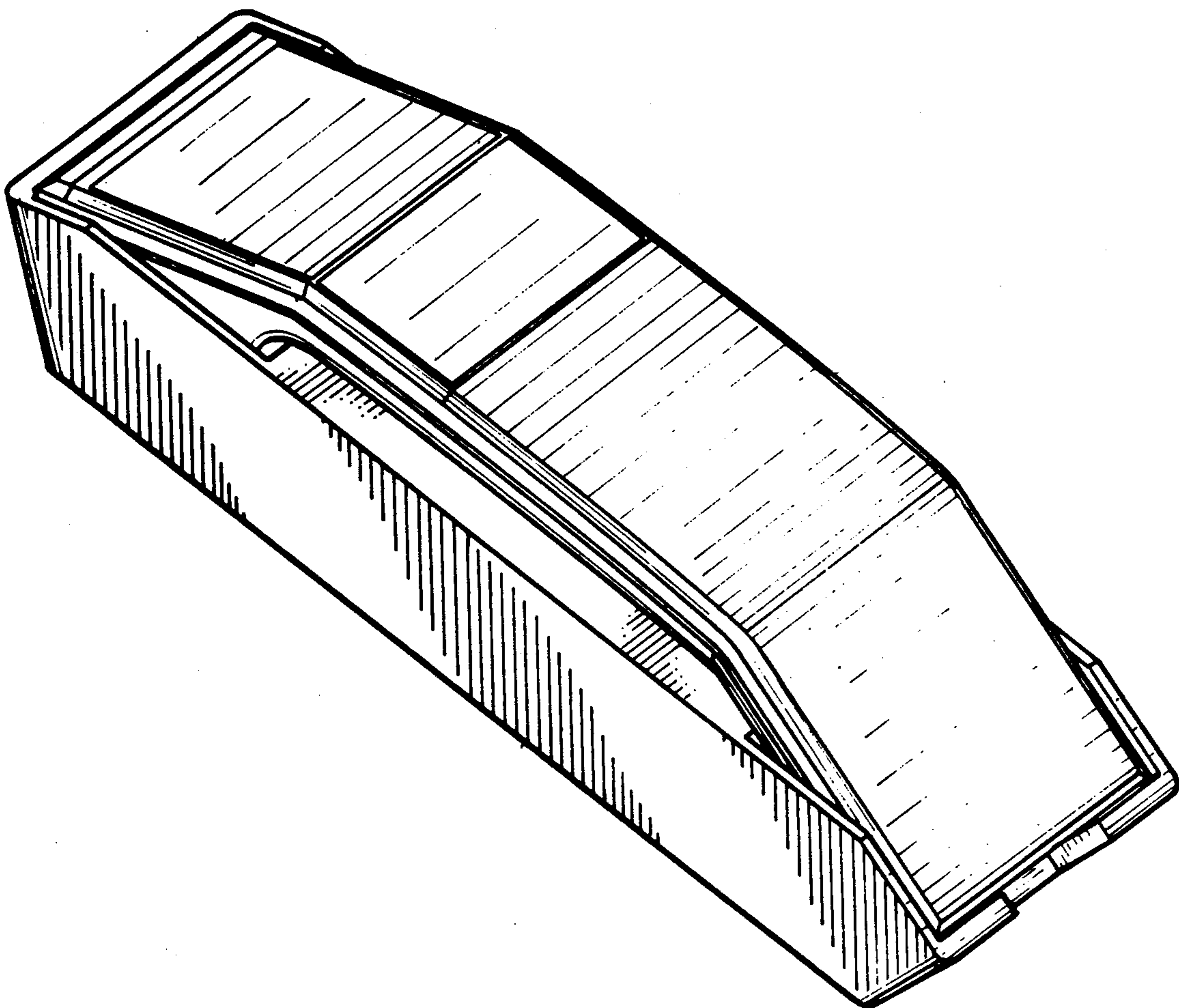
FIG. 2 is a rear elevation thereof;

FIG. 3 is a side elevation thereof;

FIG. 4 is an exploded perspective view of a modified embodiment of the apparatus illustrated in FIG. 1;

FIG. 5 is a bottom plan view of the apparatus disclosed in FIG. 1; and

FIG. 6 is a bottom perspective view of the handset shown separately for clarity of illustration.



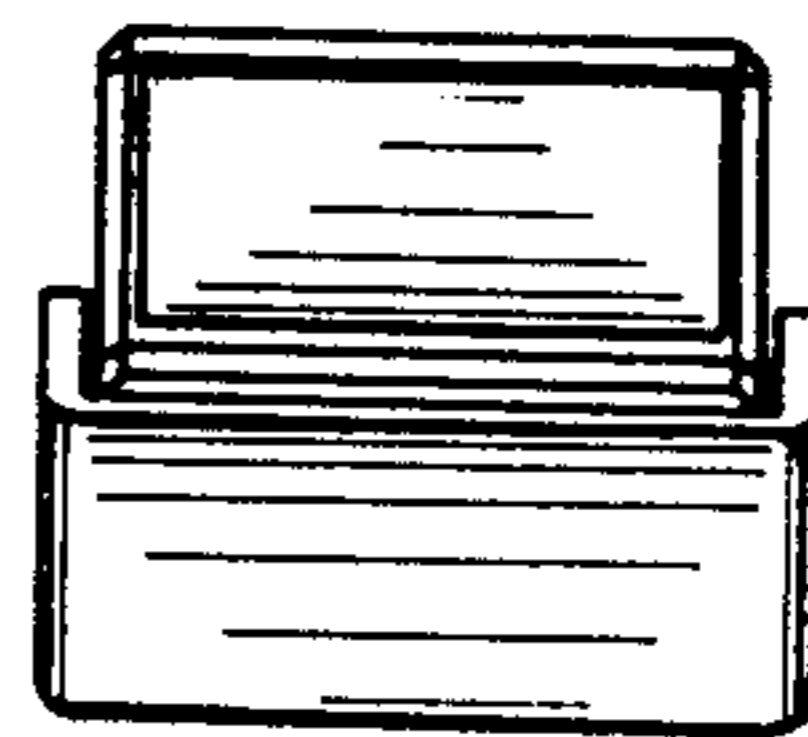
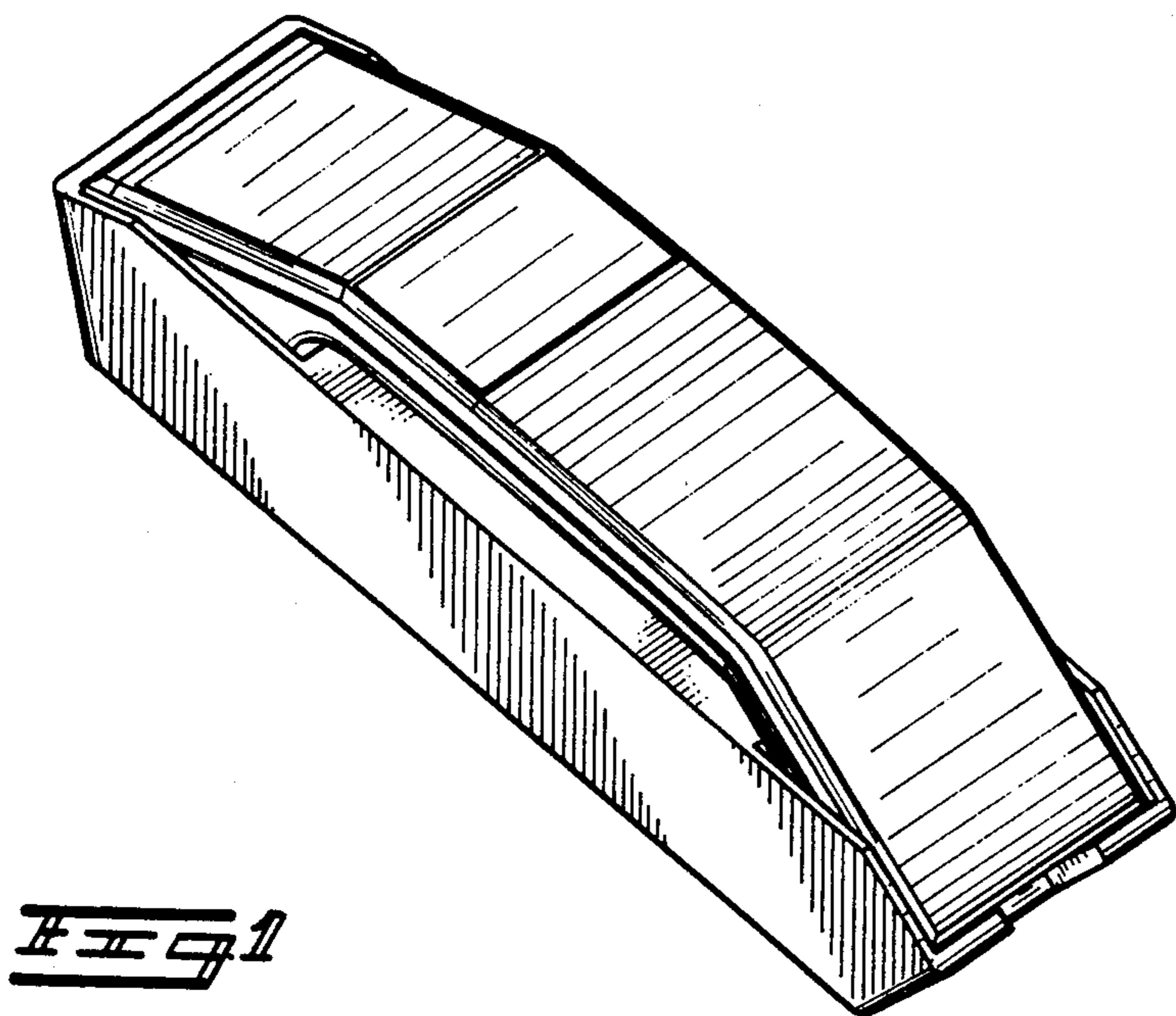


Fig. 2

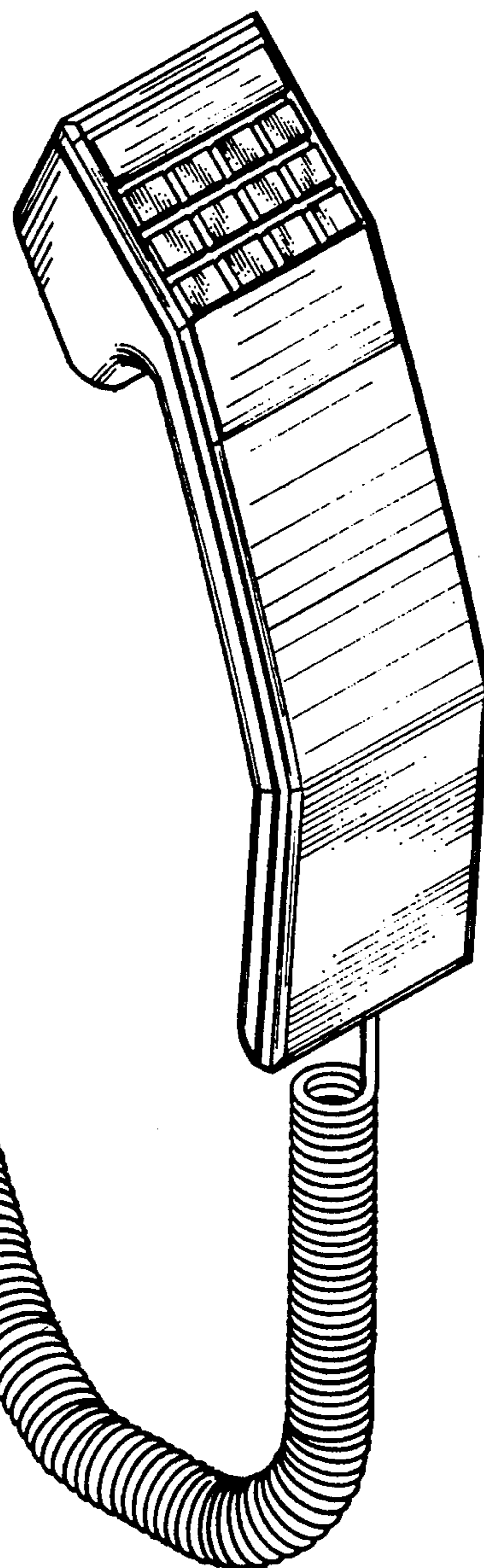
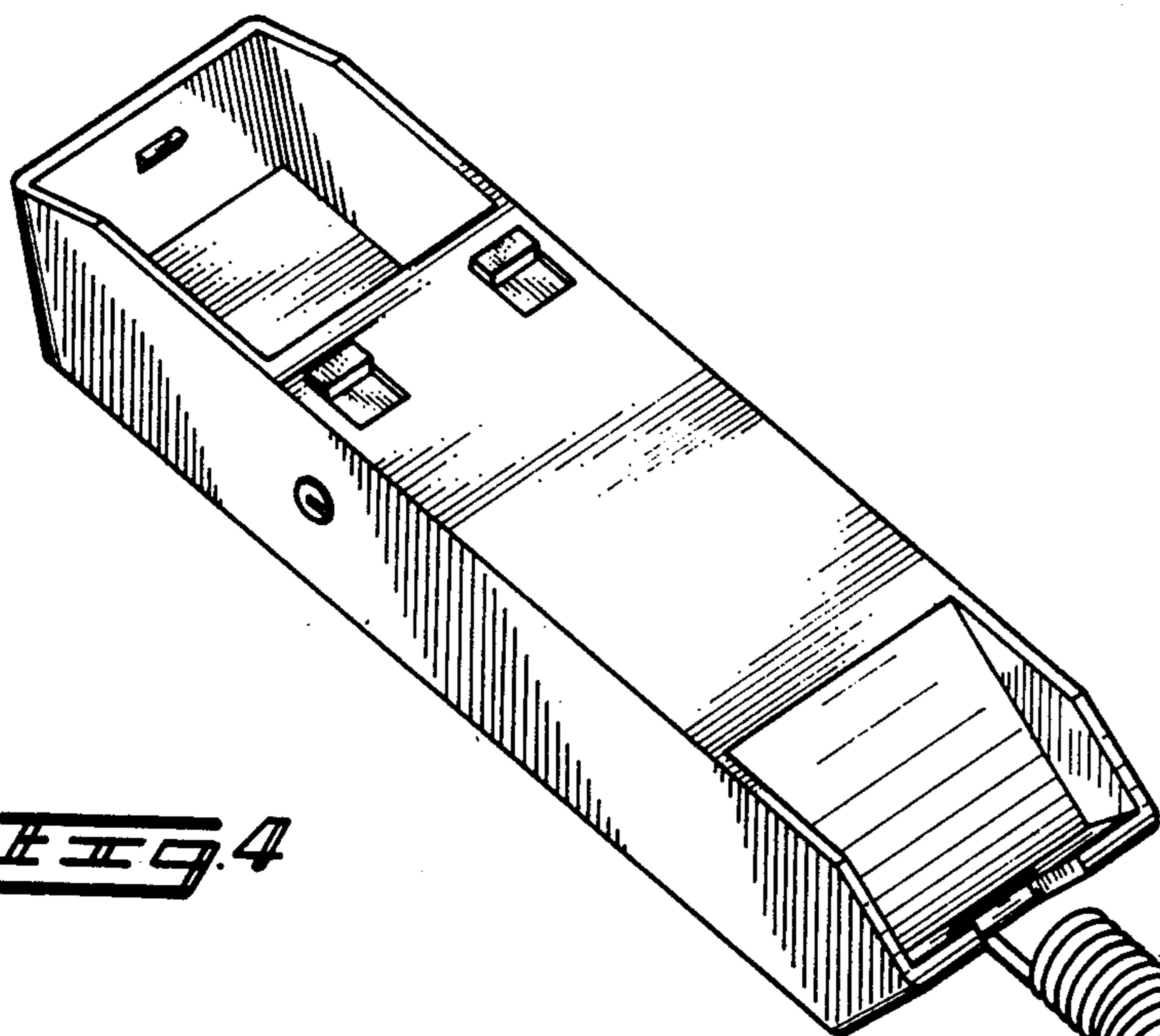
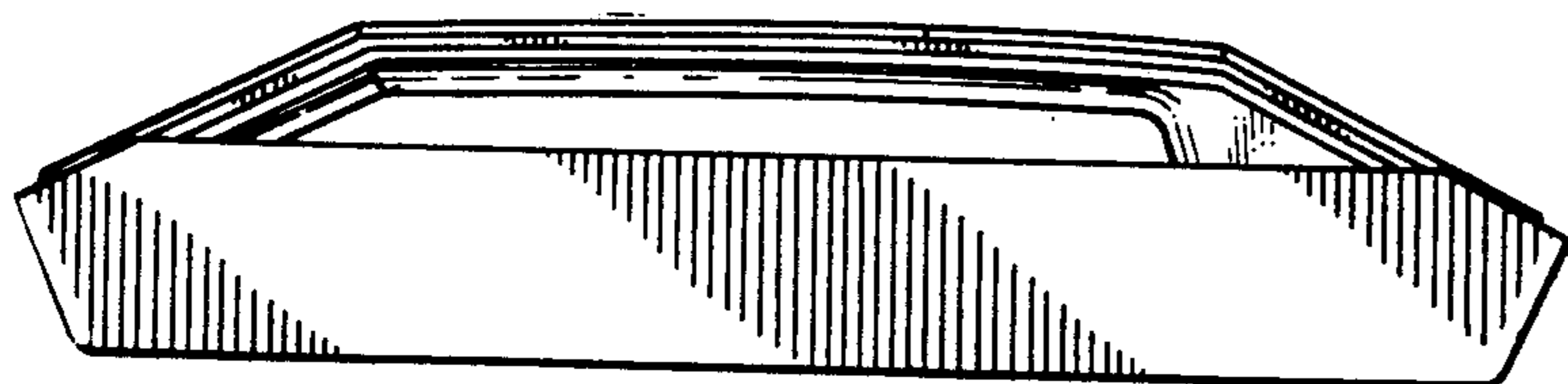


Fig. 3



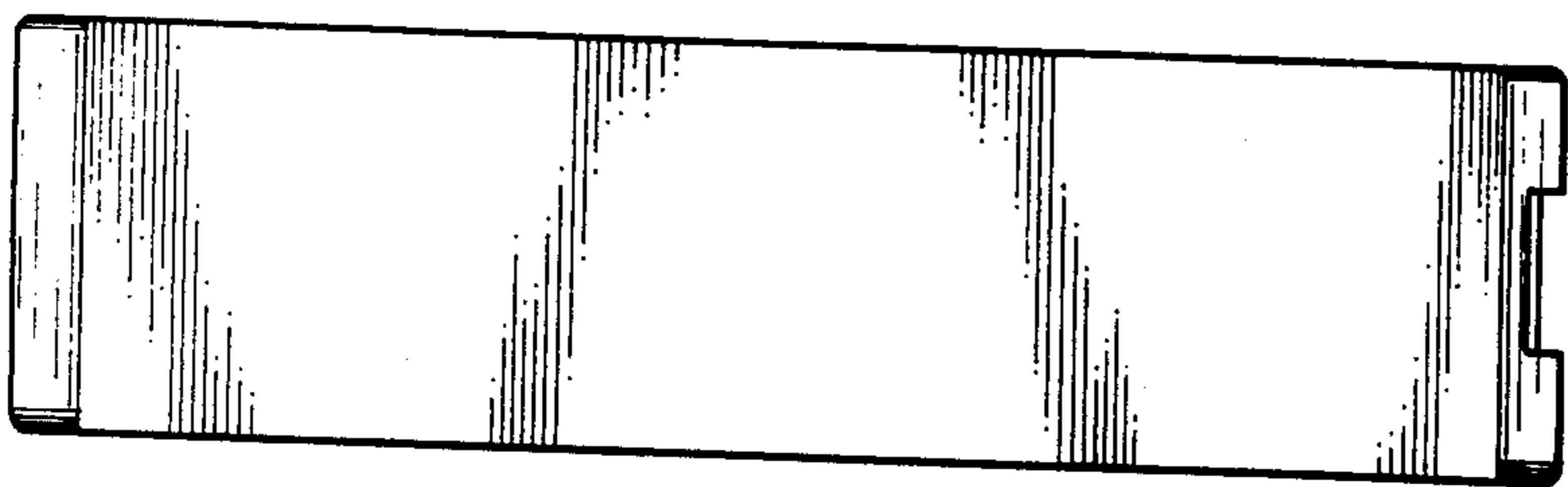


Fig. 5

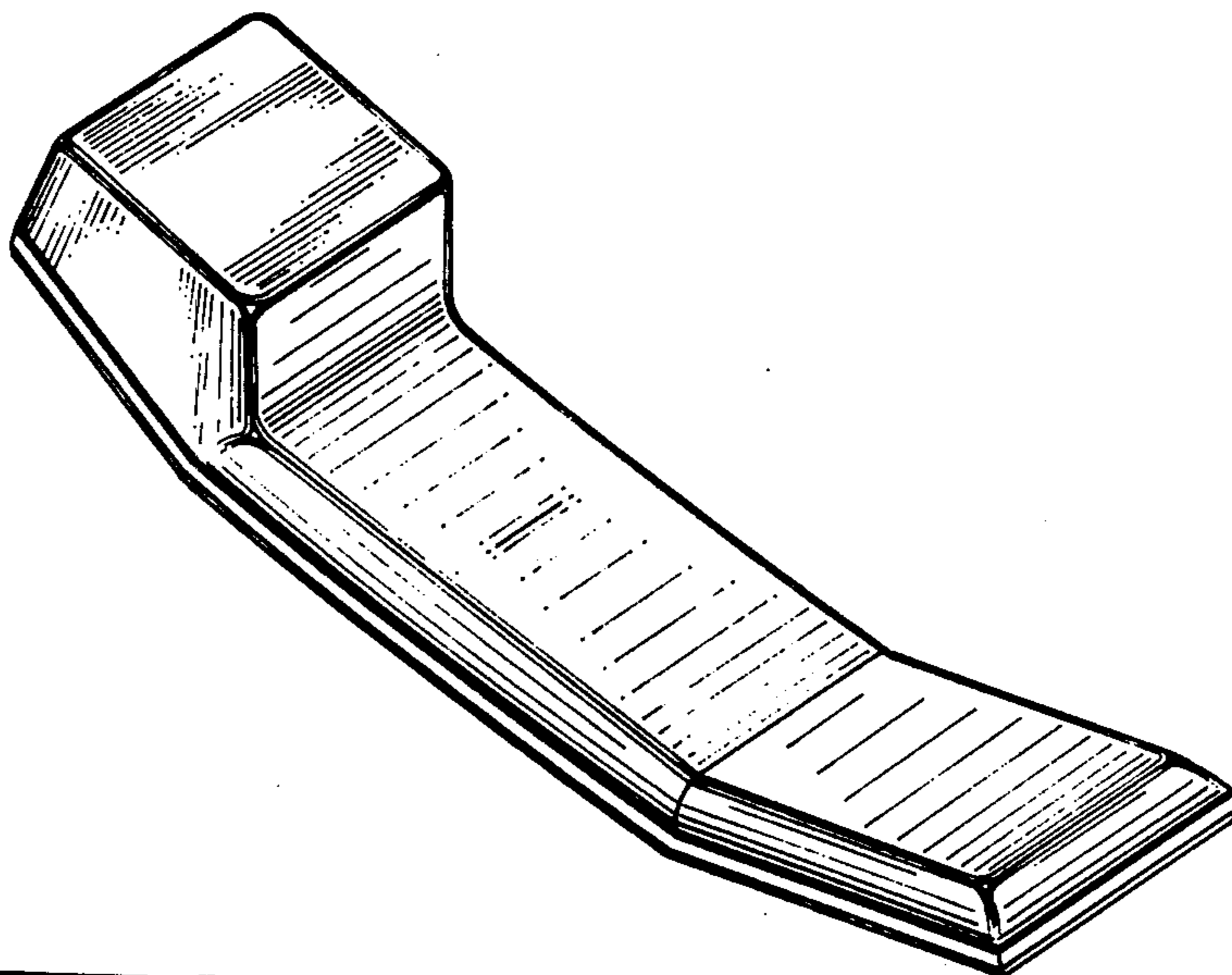


Fig. 6