

[54] WHEEL

[75] Inventor: John Siroonian, Fresno, Calif.

[73] Assignee: Rockwell International Corporation, Pittsburgh, Pa.

[**] Term: 14 Years

[21] Appl. No.: 745,439

[22] Filed: Nov. 26, 1976

[51] Int. Cl. D12-16

[52] U.S. Cl. D12/211

[58] Field of Search D12/209-211, D12/205; 301/63 R, 63 PW, 64 R, 64 SD, 65, 66

[56] References Cited

U.S. PATENT DOCUMENTS

D. 219,441	12/1970	Mitchell	D12/211
D. 230,353	2/1974	Mochel	D12/205
D. 236,198	8/1975	Clary	D12/211

OTHER PUBLICATIONS

Tire Review, 9/75, p. 80, Western Wheel, center right side of page.

Tire Review, 2/76, p. 40, Vector Wheel, center left side of page.

Tire Review, 6/76, p. 50, Wheel, top right side of page.

Primary Examiner—Bernard Ansher

Assistant Examiner—James M. Gandy

Attorney, Agent, or Firm—John R. Bronaugh

[57] CLAIM

The ornamental design for a wheel, as shown and described.

DESCRIPTION

FIG. 1 is a front elevational view of a wheel showing my new design;

FIG. 2 is a sectional view thereof taken along line 2-2 in FIG. 1;

FIG. 3 is a rear elevational view thereof;

FIG. 4 is a side elevational view thereof.

FIG. 5 is a fragmentary front elevational view of a wheel showing a second embodiment of my new design, the sole difference being in the addition of five spokes;

FIG. 6 is a fragmentary rear elevational view of FIG. 5;

FIG. 7 is a fragmentary front elevational view of a wheel showing a third embodiment of my new design, the sole difference being in the addition of ten spokes;

FIG. 8 is a fragmentary rear elevational view of FIG. 7;

The cross-section and side of the embodiments shown in FIGS. 5 through 8 are the same as those shown in FIGS. 2 and 4 of the drawing.

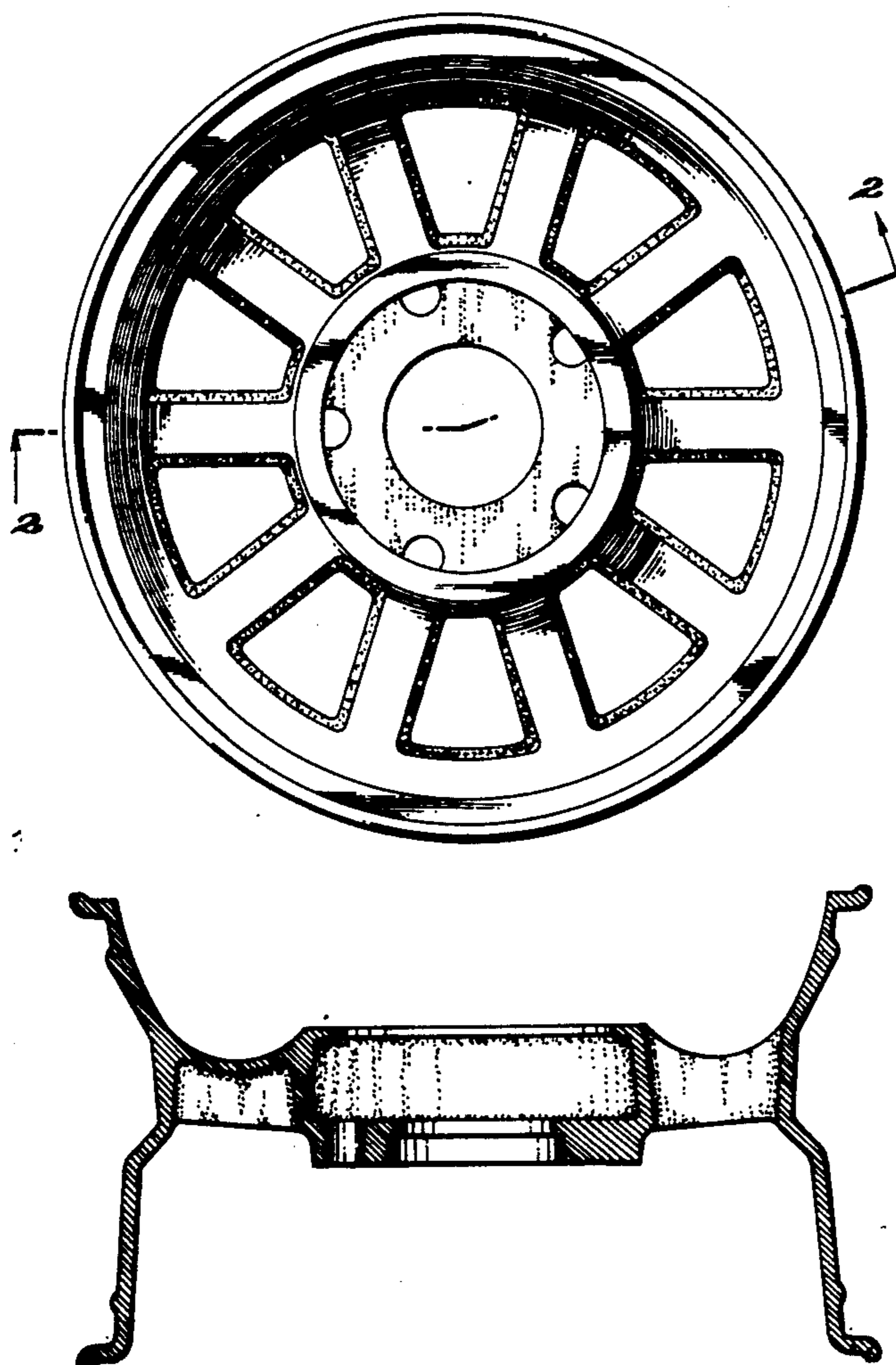


Fig. 1.

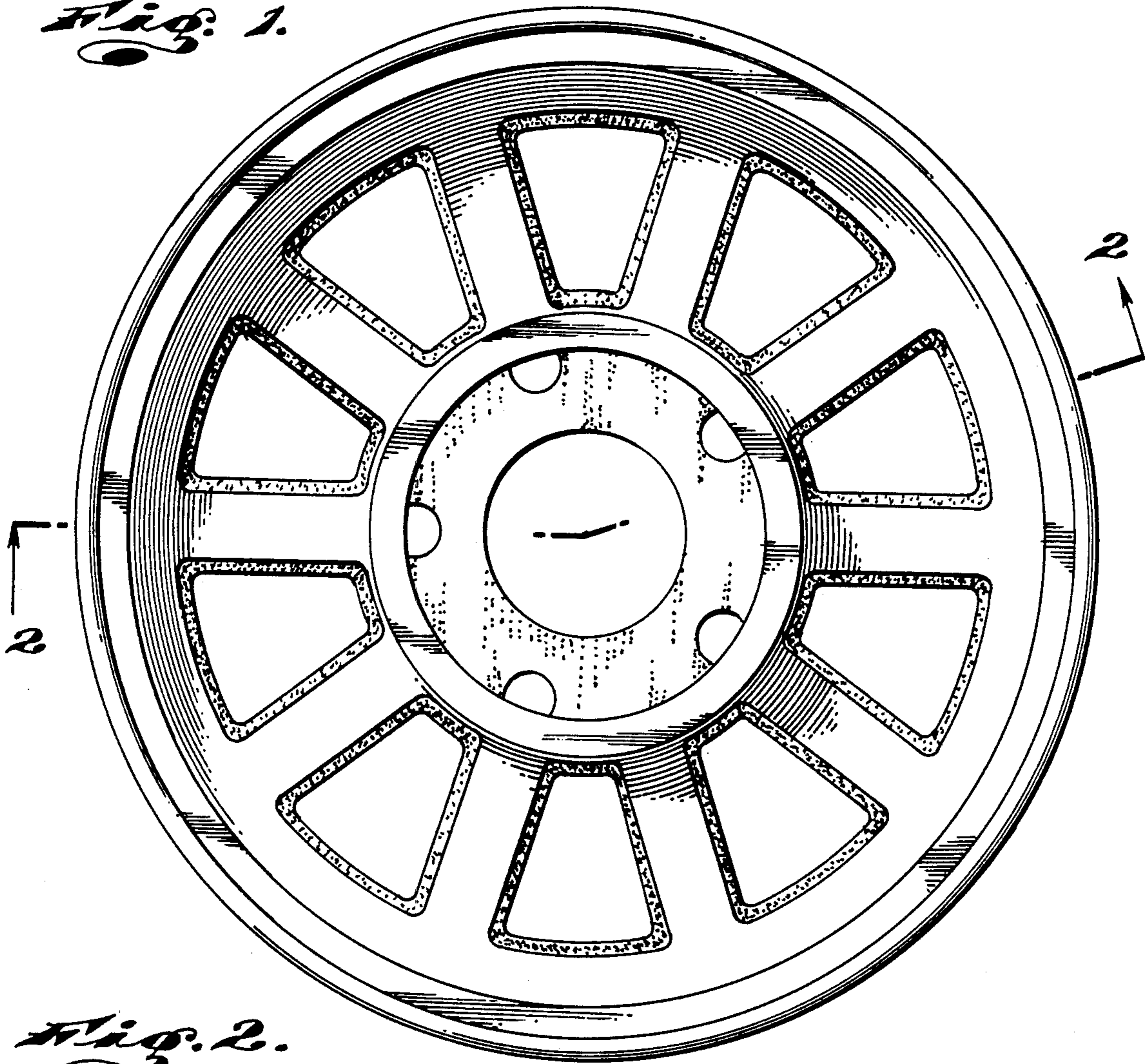


Fig. 2.

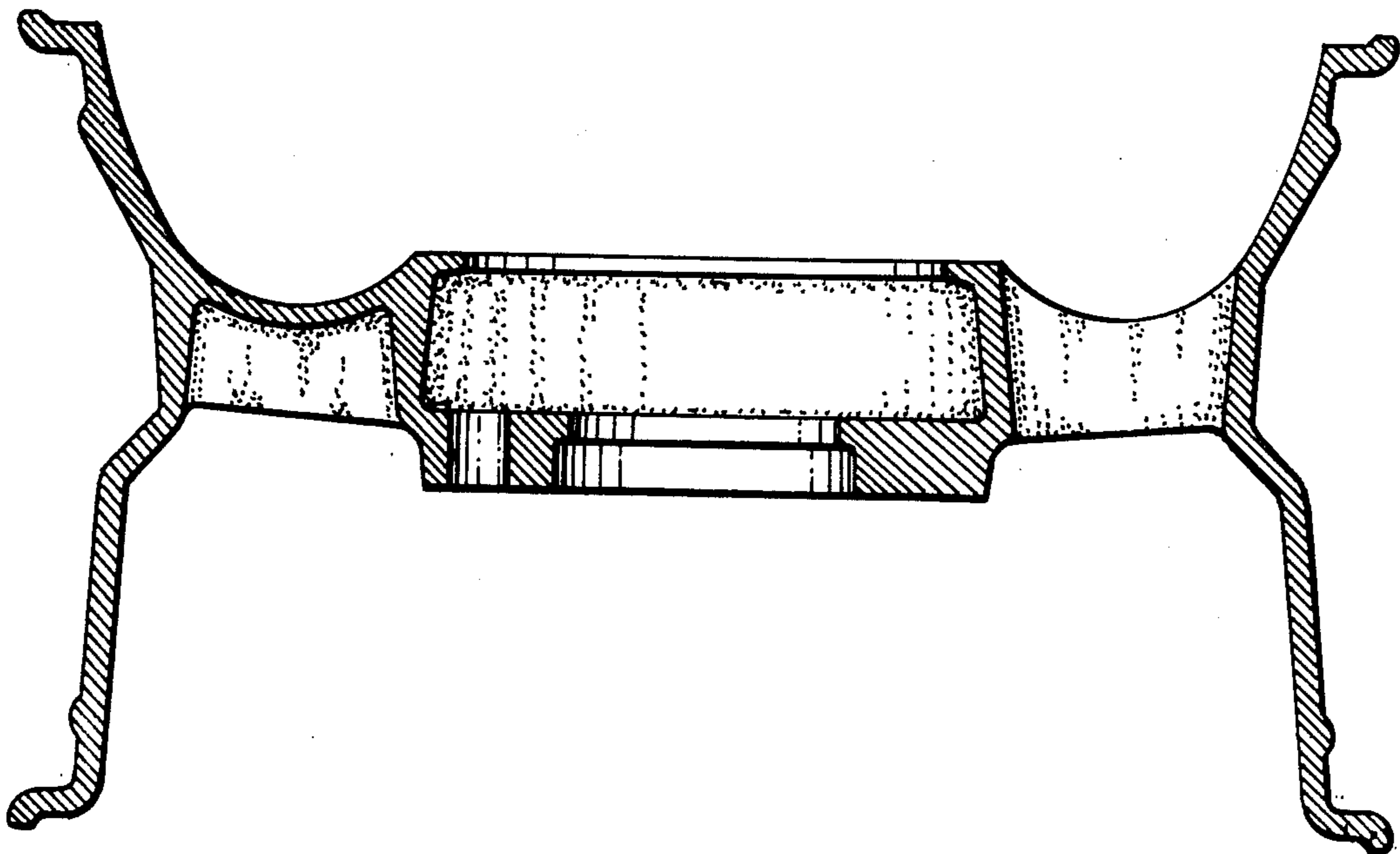


Fig. 3.

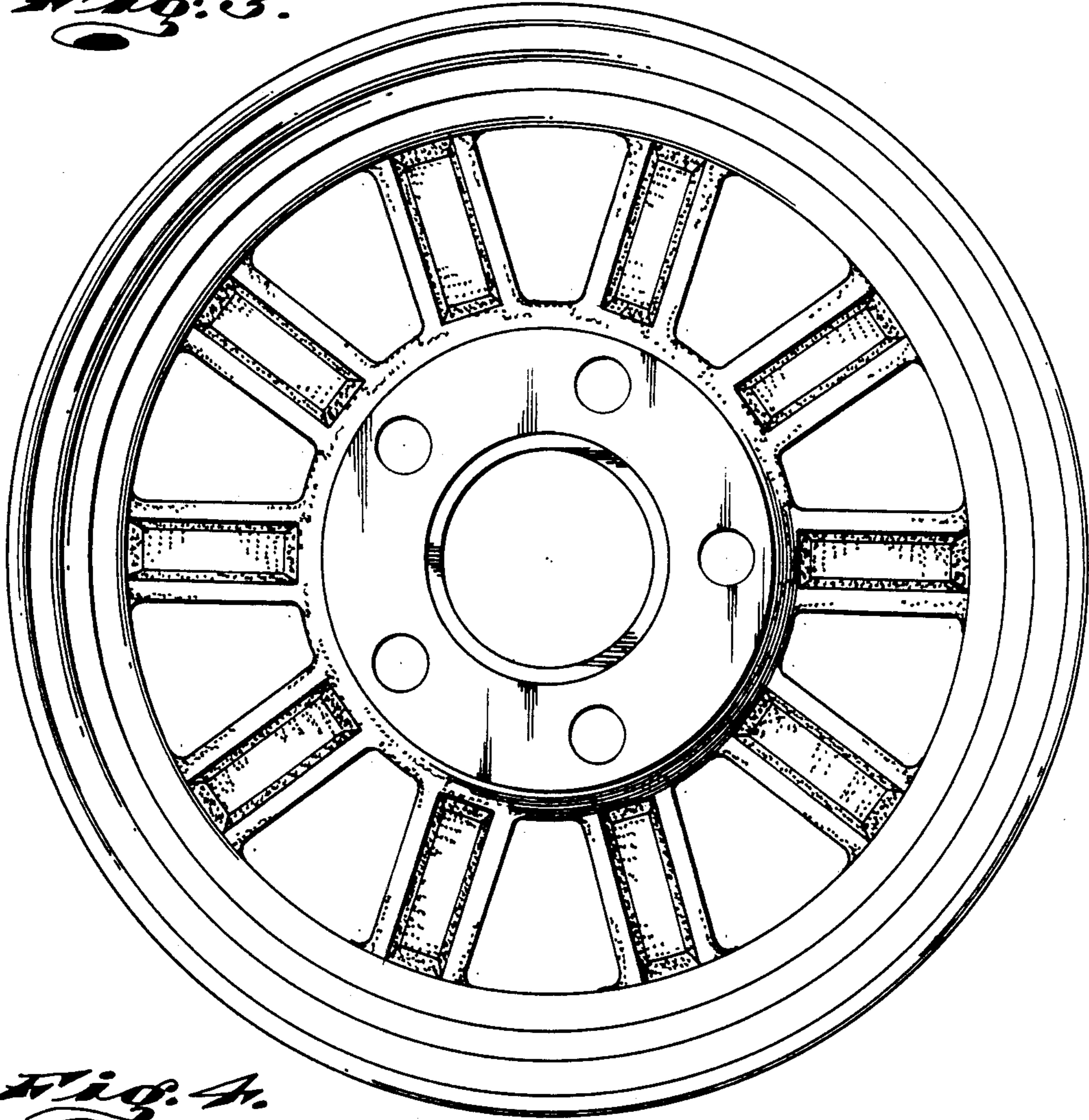


Fig. 4.

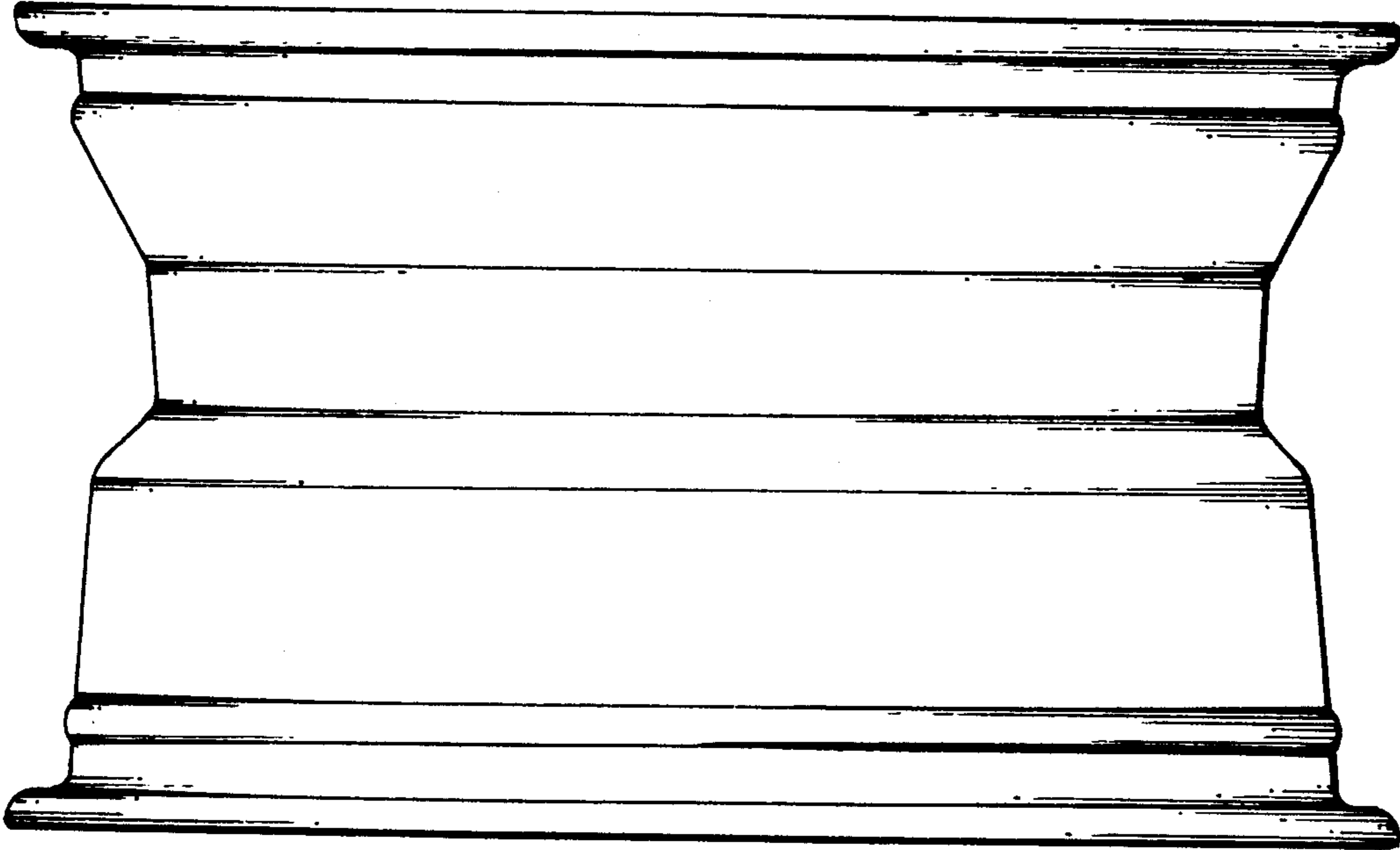


Fig. 5.

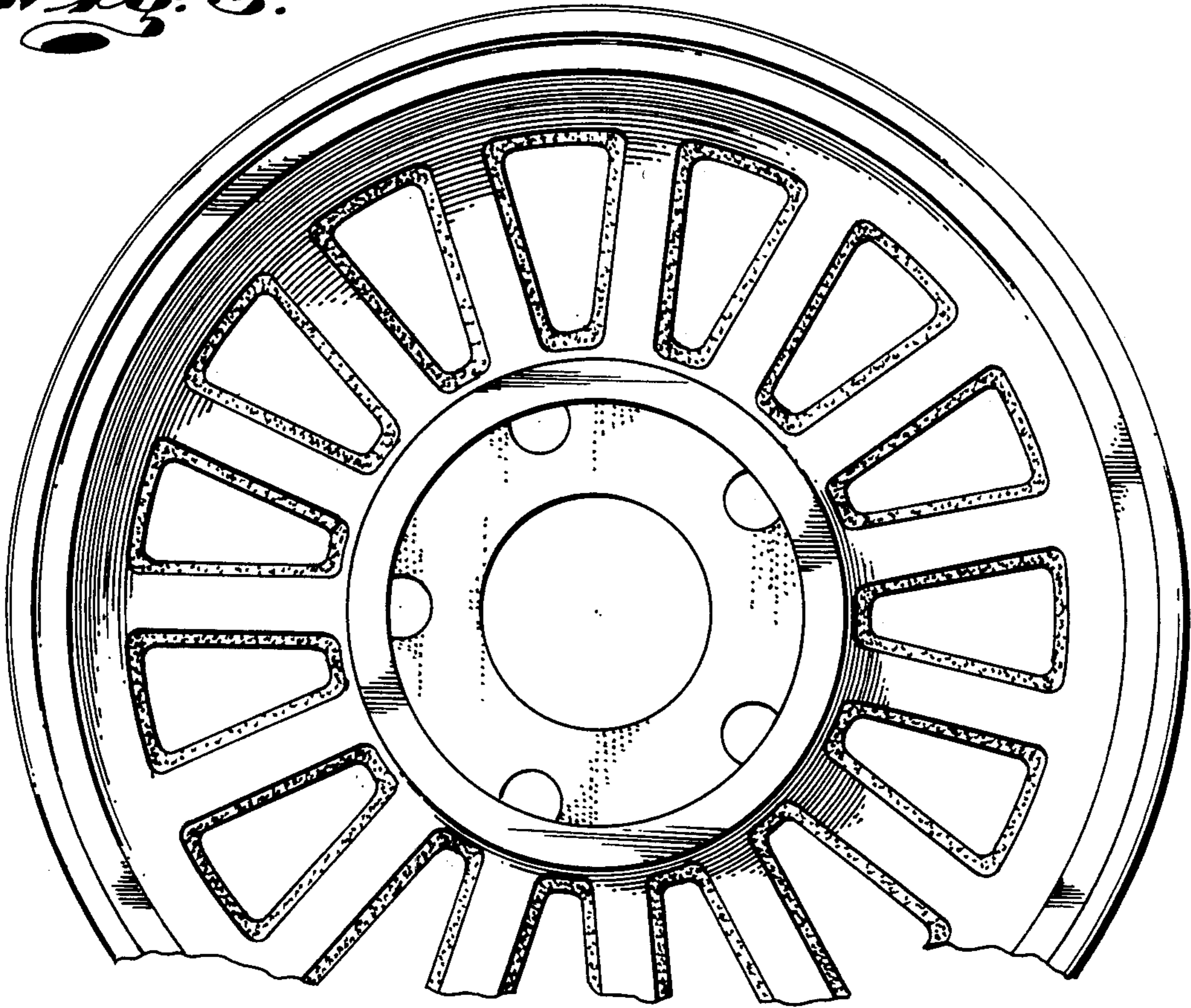


Fig. 6.

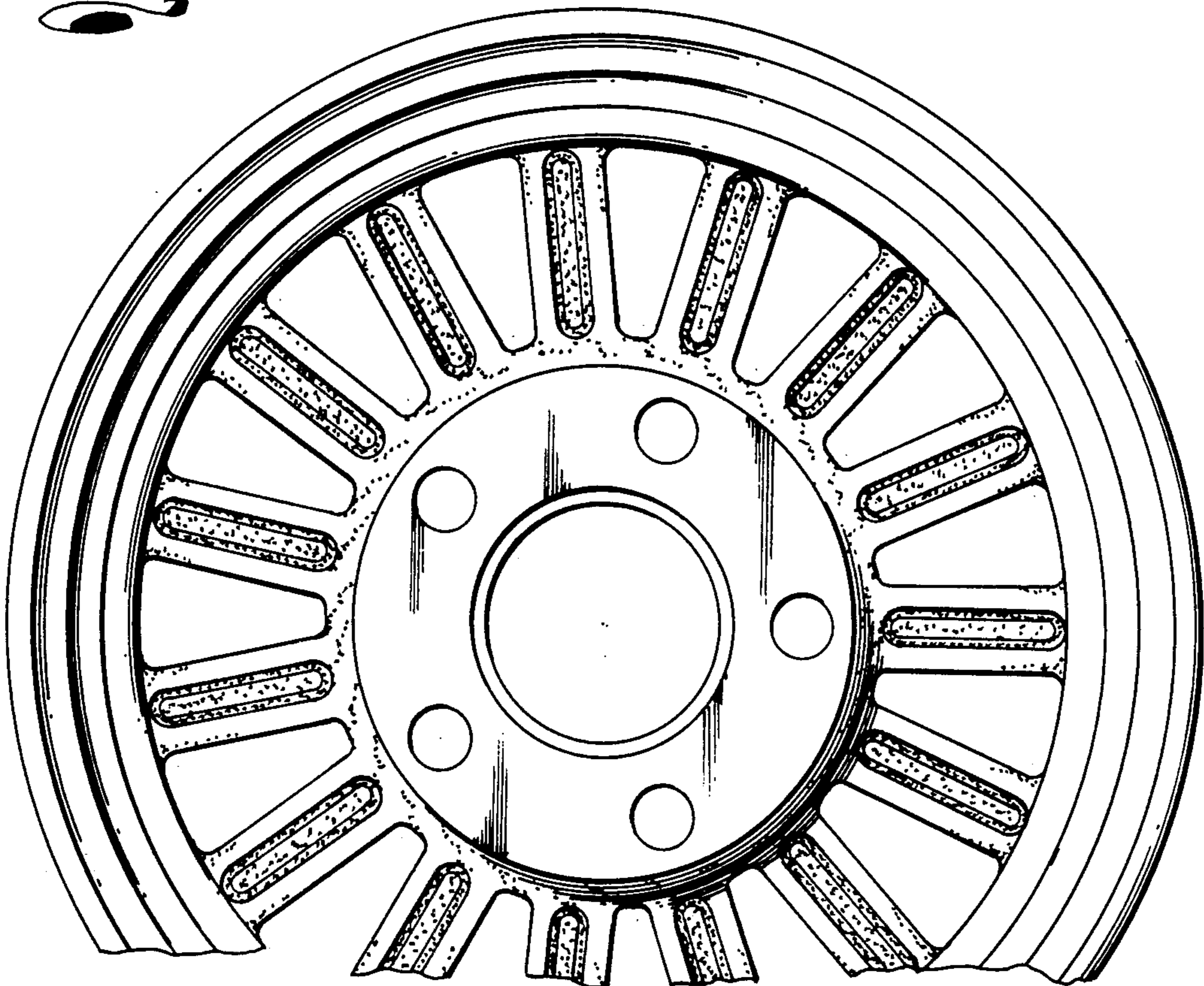


Fig. 7.

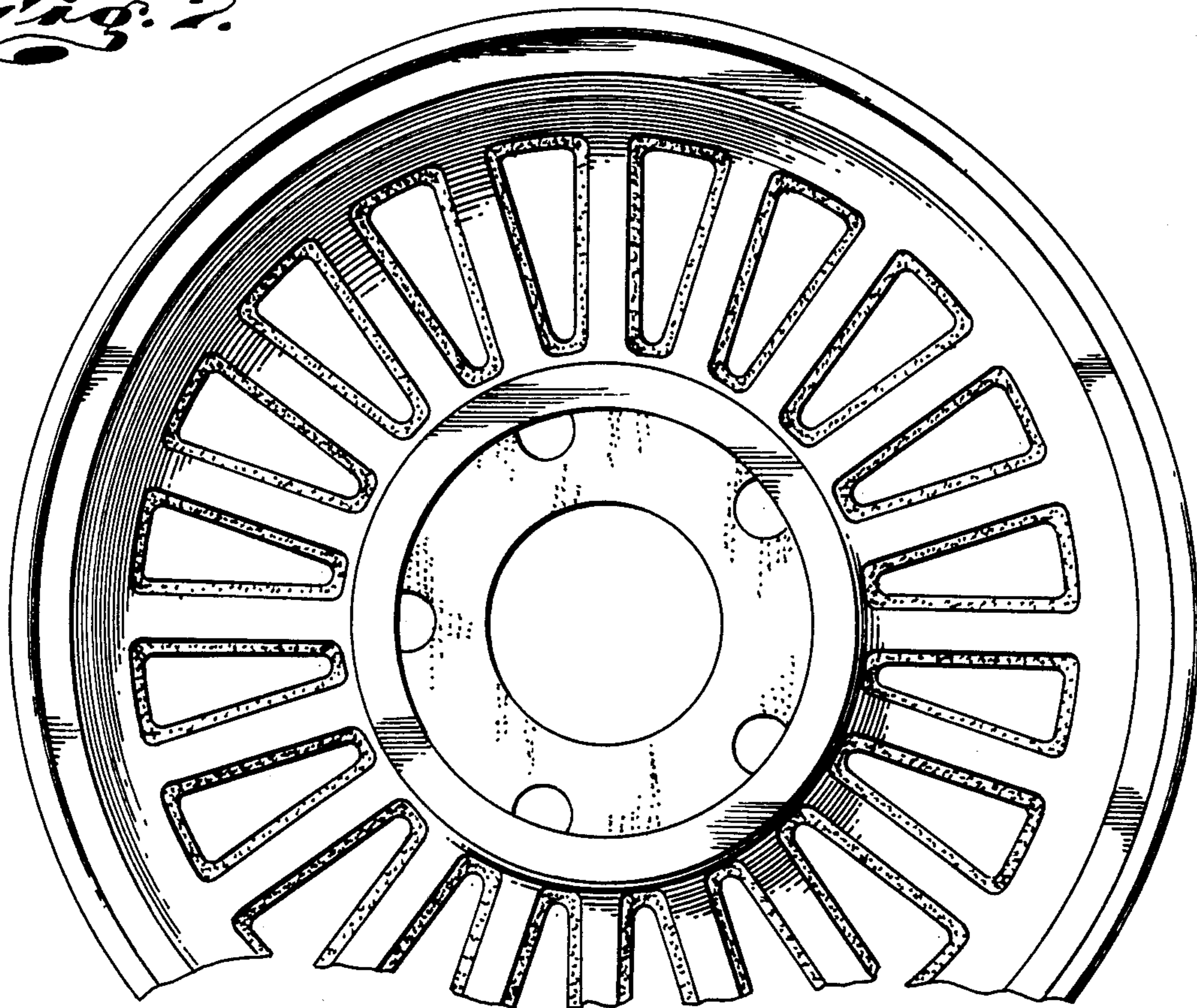


Fig. 8.

