

[54] **WHEEL CENTER**
[75] **Inventor: John Siroonian, Fresno, Calif.**
[73] **Assignee: Rockwell International Corporation, Pittsburgh, Pa.**
[**] **Term: 14 Years**
[21] **Appl. No.: 792,026**
[22] **Filed: Apr. 28, 1977**
[51] **Int. Cl. D12-16**
[52] **U.S. Cl. D12/207**
[58] **Field of Search D12/207, 213, 209-211; 301/104, 105 R, 105 B, 108 R, 108 TW, 108 A**

[56] **References Cited**
U.S. PATENT DOCUMENTS
D. 202,033 8/1965 Hibbard D12/211
FOREIGN PATENT DOCUMENTS
316,362 8/1929 United Kingdom 301/105 R

Primary Examiner—Wallace R. Burke
Assistant Examiner—James M. Gandy

Attorney, Agent, or Firm—John R. Bronaugh

[57] **CLAIM**

The ornamental design for wheel center, as shown and described.

DESCRIPTION

FIG. 1 is a front elevational view of a wheel center showing my new design;
FIG. 2 is a side elevational view thereof;
FIG. 3 is a rear elevational view thereof;
FIG. 4 is a cross-sectional view thereof taken along line 4-4 in FIG. 1;
FIG. 5 is a front elevational view of a wheel center showing a second embodiment of my new design, the difference being in the omission of a wheel bolt opening and the arrangement of the wheel bolt openings shown herein;
FIG. 6 is a rear elevational view of FIG. 5; and
FIG. 7 is a side elevational view of a wheel center showing a third embodiment of my new design, the sole difference from FIG. 1 embodiment being in the height thereof.
The broken lines in FIGS. 1 and 2 of the drawings are for illustrative purposes only.

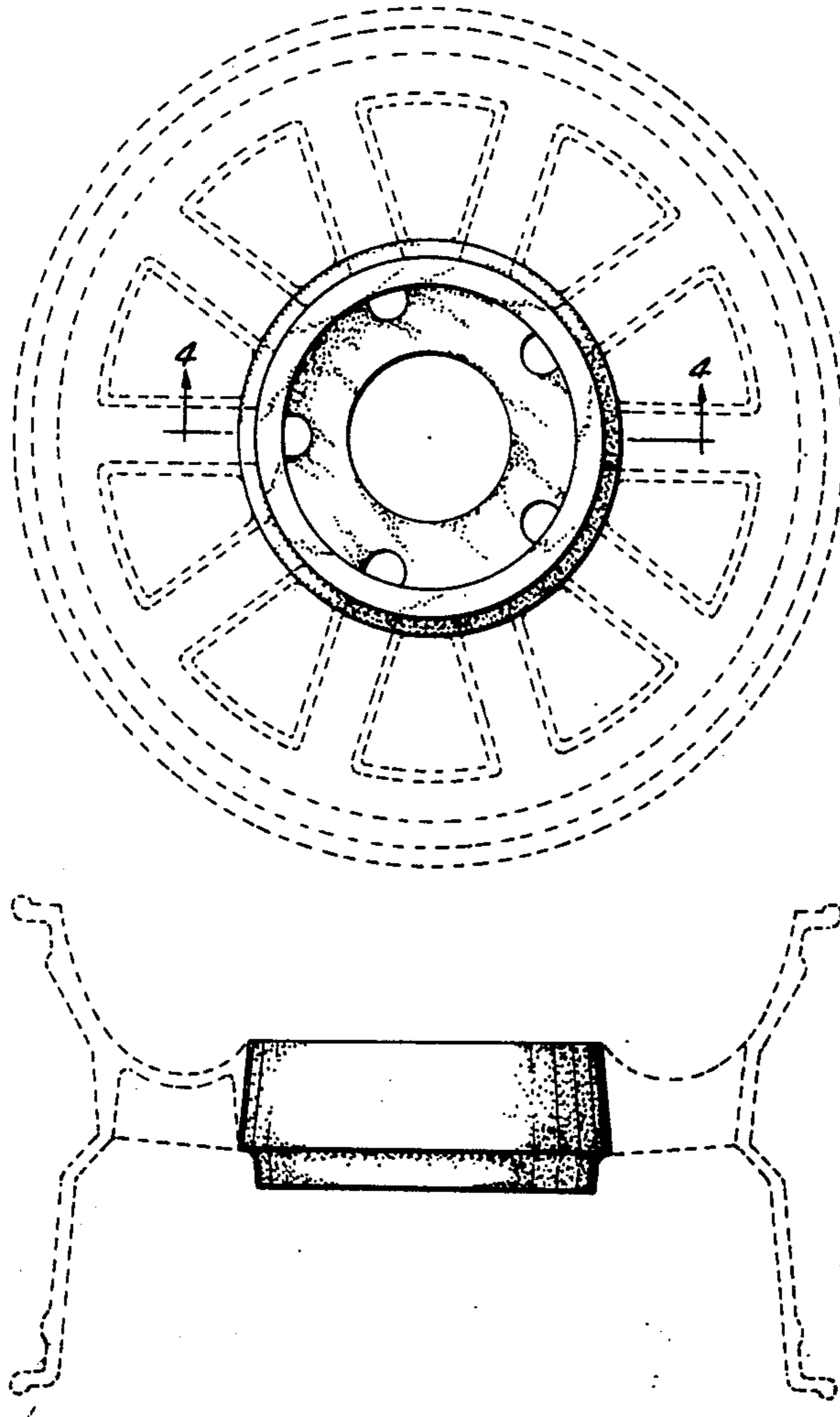


Fig. 1.

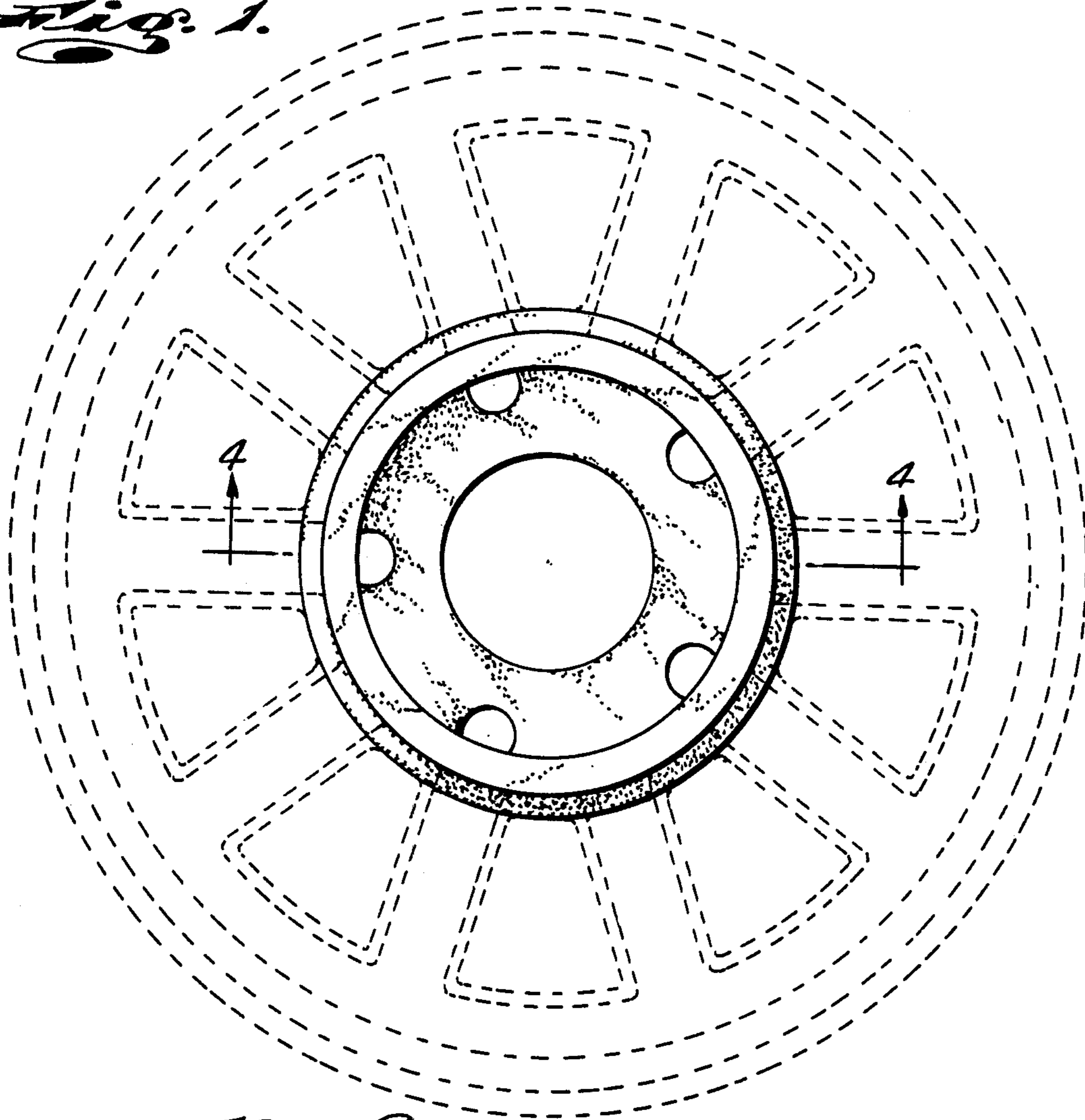


Fig. 2.

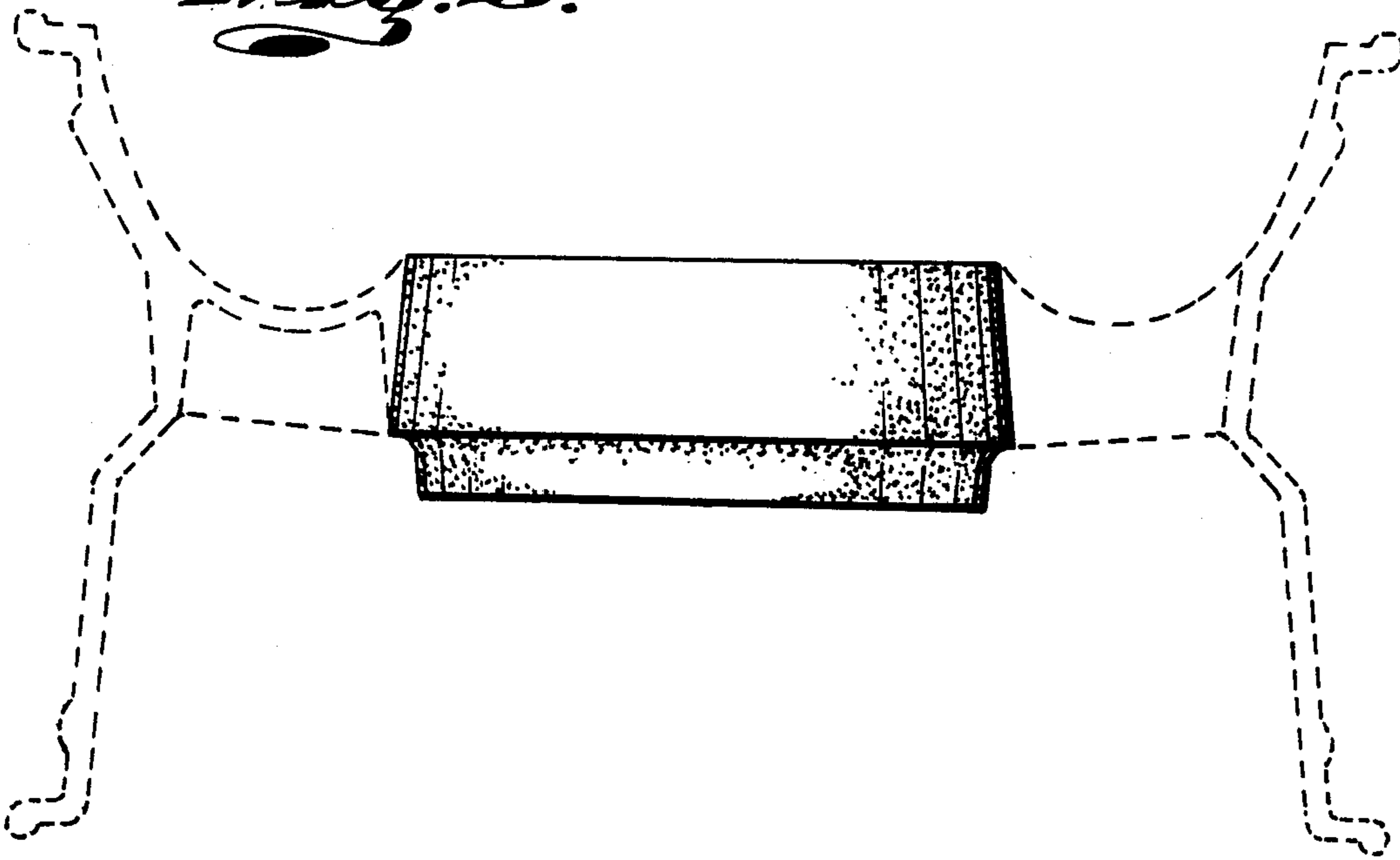


Fig. 3.

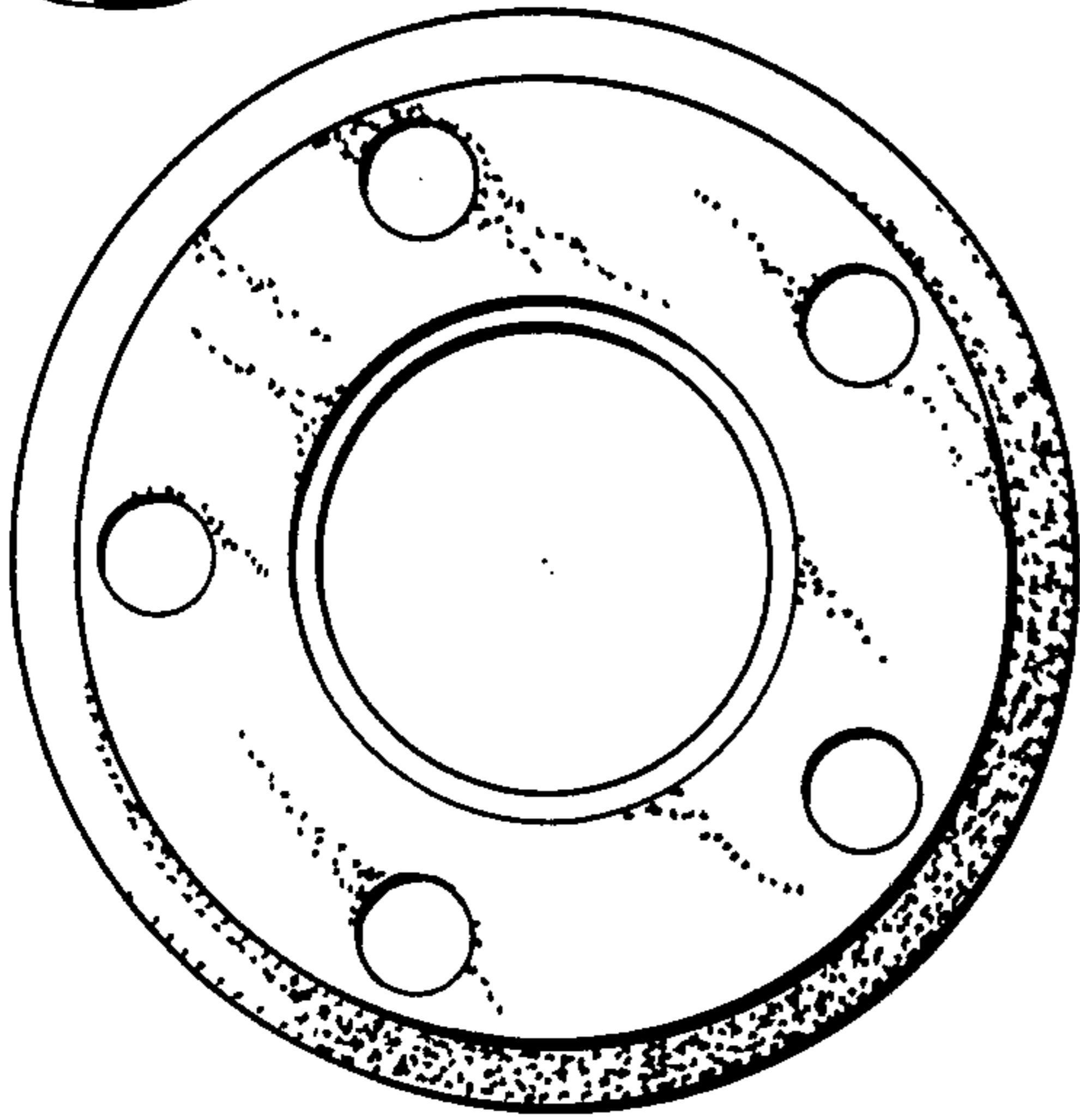


Fig. 5.

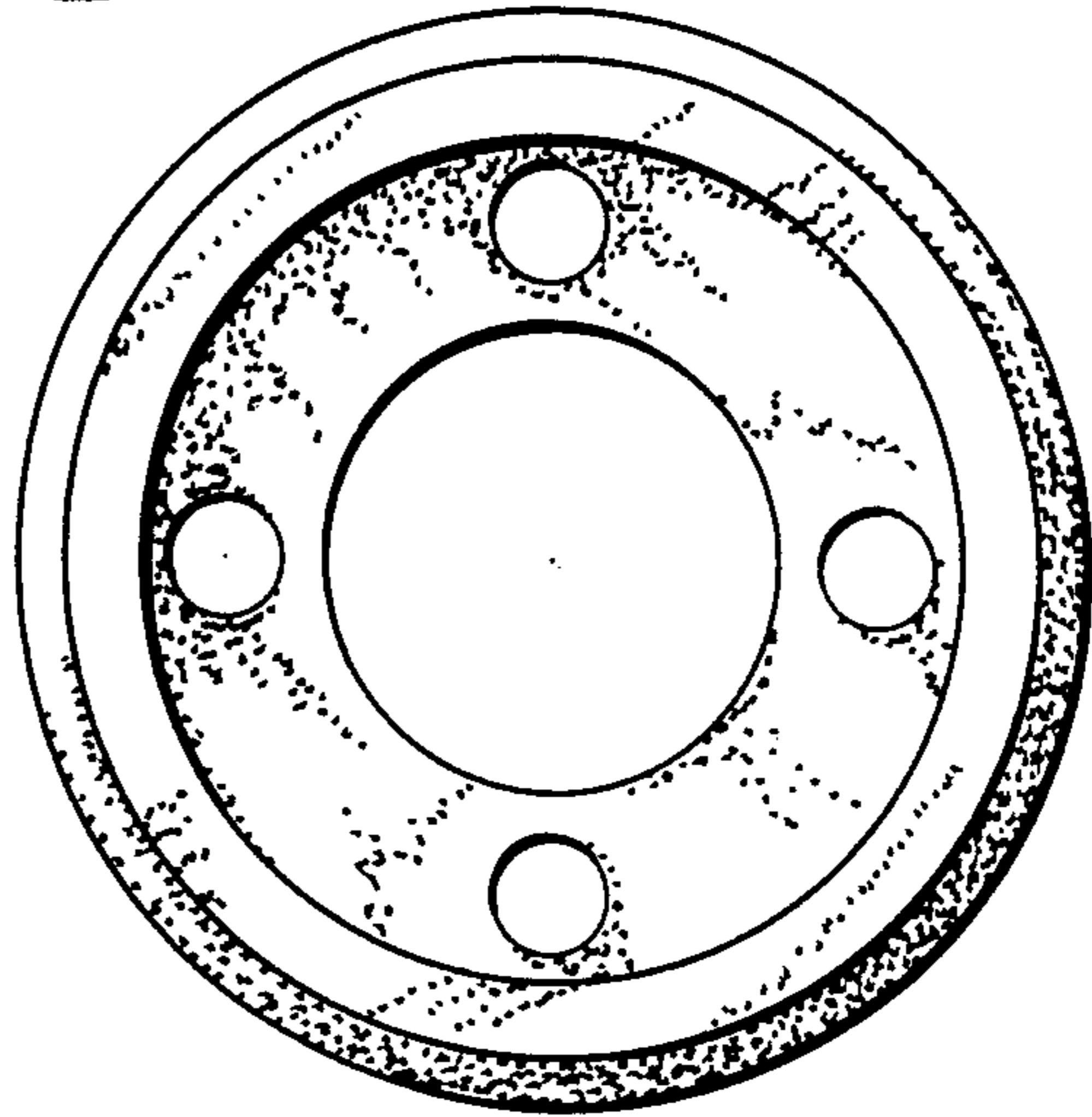


Fig. 4.

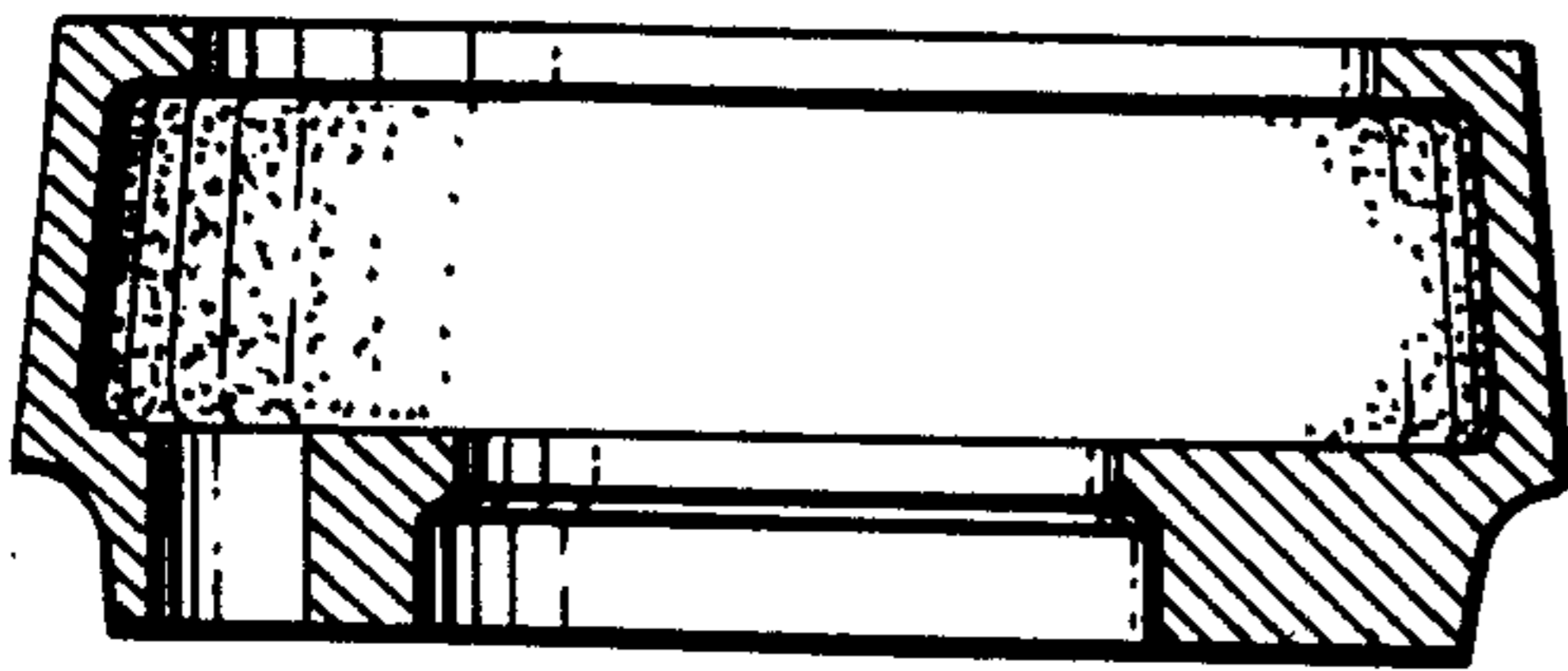


Fig. 6.

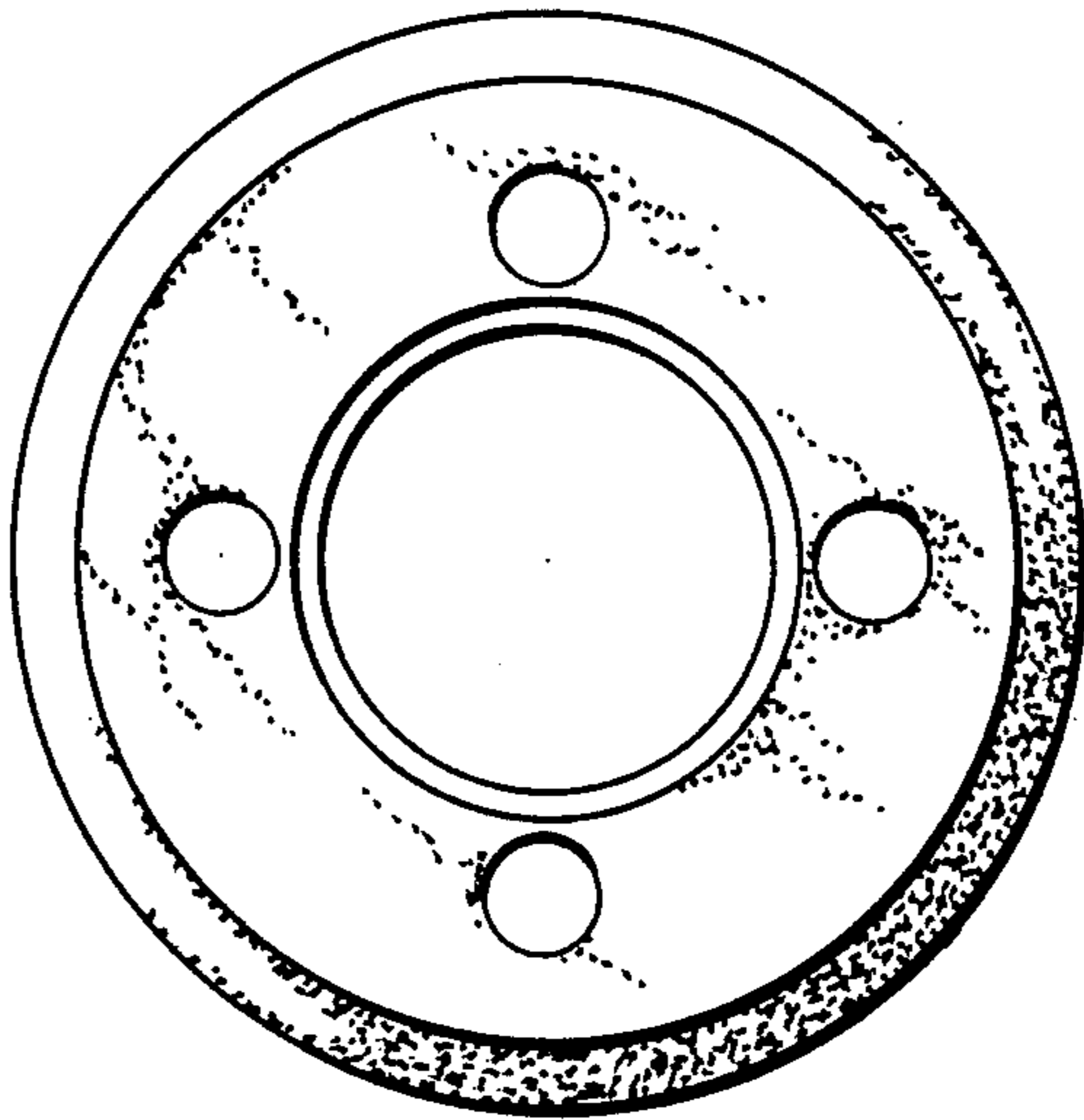


Fig. 7.

