

[54] TRICYCLE

[76] Inventor: **Phillipp Gonzalez**, 2730 W. 15th St., Los Angeles, Calif. 90006

[\*\*] Term: **14 Years**

[21] Appl. No.: **812,586**

[22] Filed: **Jul. 5, 1977**

[51] Int. Cl. .... **D12-11**

[52] U.S. Cl. .... **D12/112**

[58] Field of Search ..... **D12/109, 112, 178; D34/15 AJ; 280/267, 282, 261, 270, 273, 7.16**

[56] **References Cited**

**U.S. PATENT DOCUMENTS**

D. 127,578	6/1941	Cash .....	D12/178
D. 225,545	12/1972	Novak, Jr. ....	D12/112
3,352,570	11/1967	Cordrey .....	280/282
3,414,288	12/1968	Stanfield .....	D12/112

*Primary Examiner*—Wallace R. Burke  
*Assistant Examiner*—James M. Gandy  
*Attorney, Agent, or Firm*—Antonio M. Fernandez

[57] **CLAIM**

The ornamental design for a tricycle, substantially as shown and described.

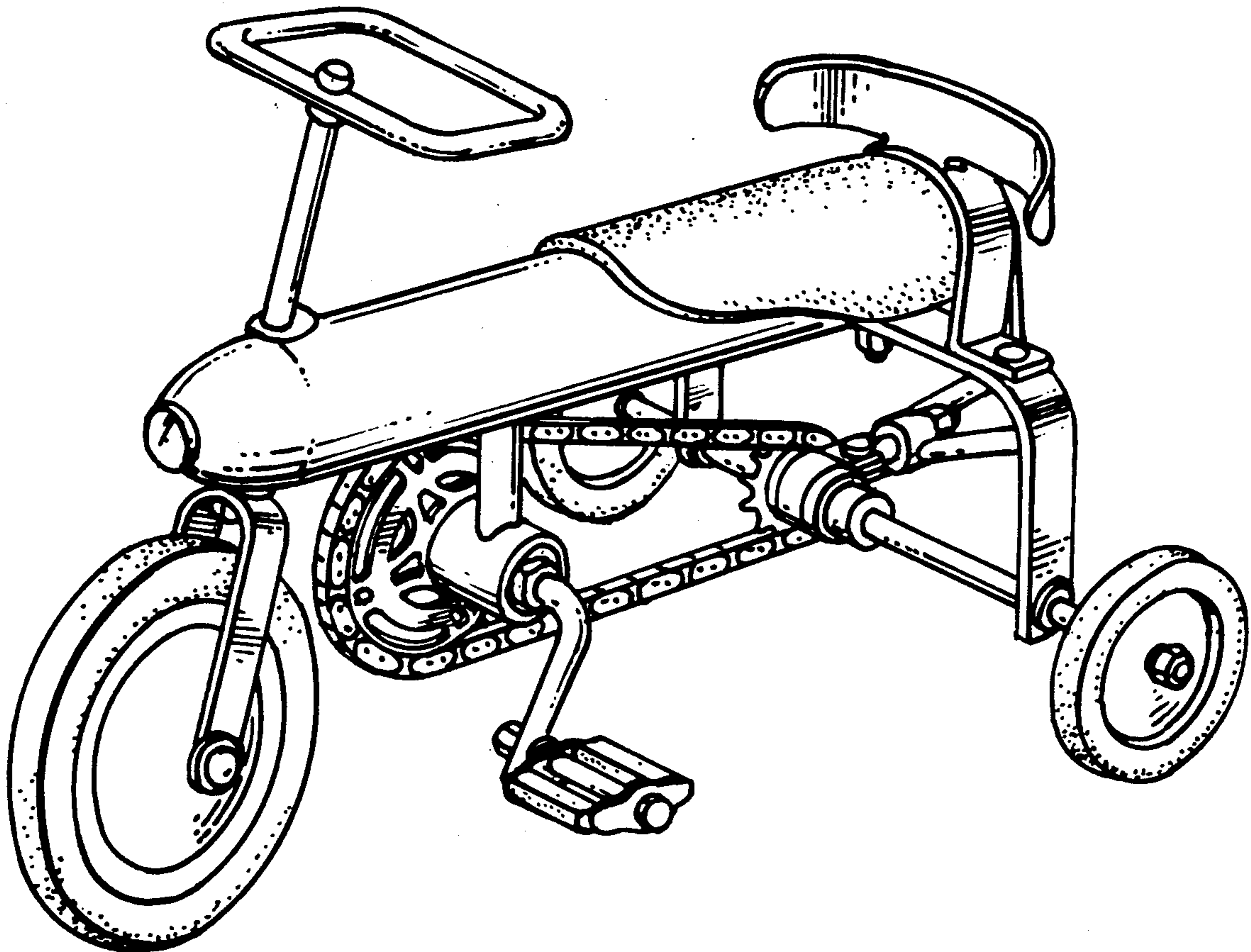
**DESCRIPTION**

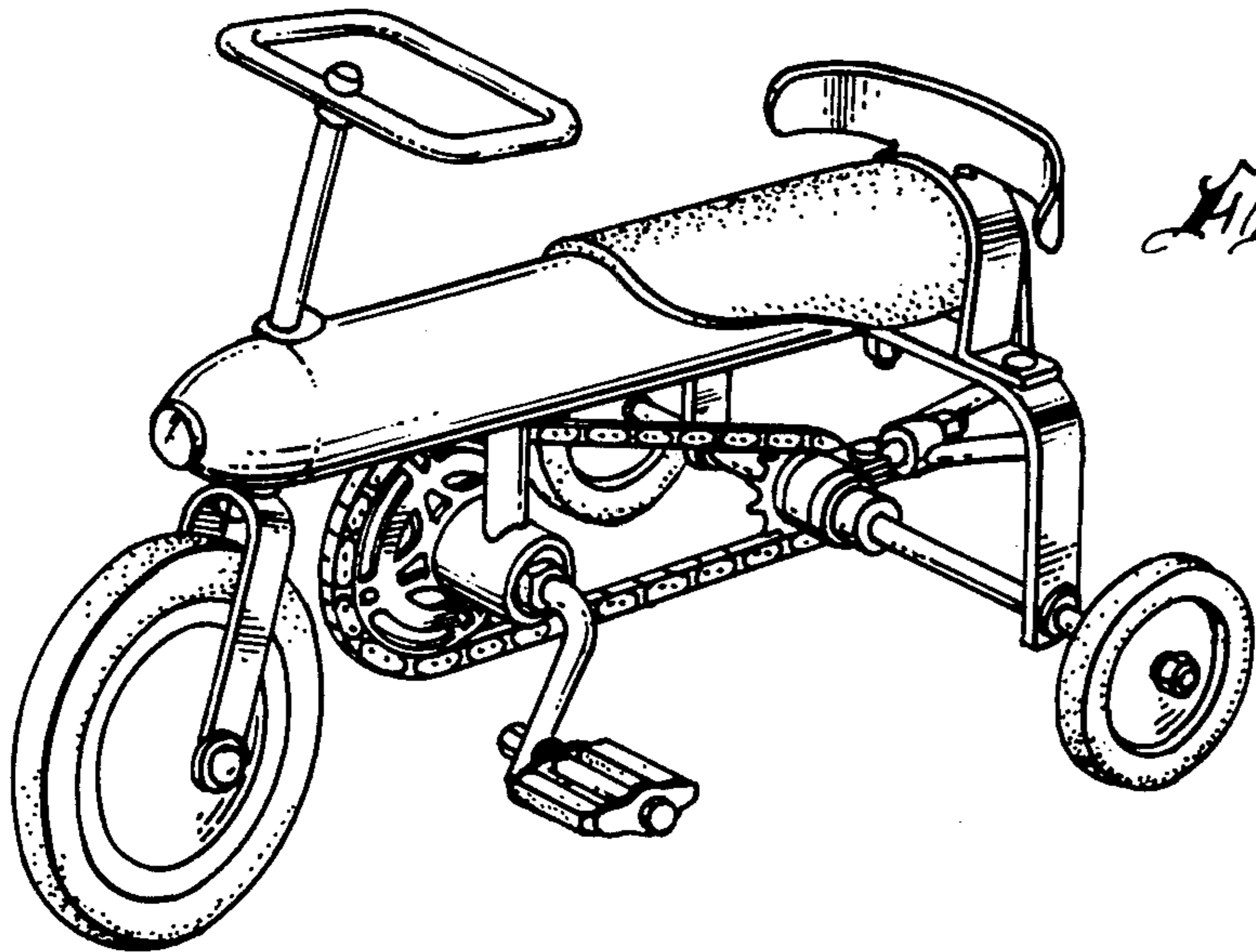
FIG. 1 is a left front perspective view of a tricycle showing my new design;

FIG. 2 is a right rear perspective view thereof;

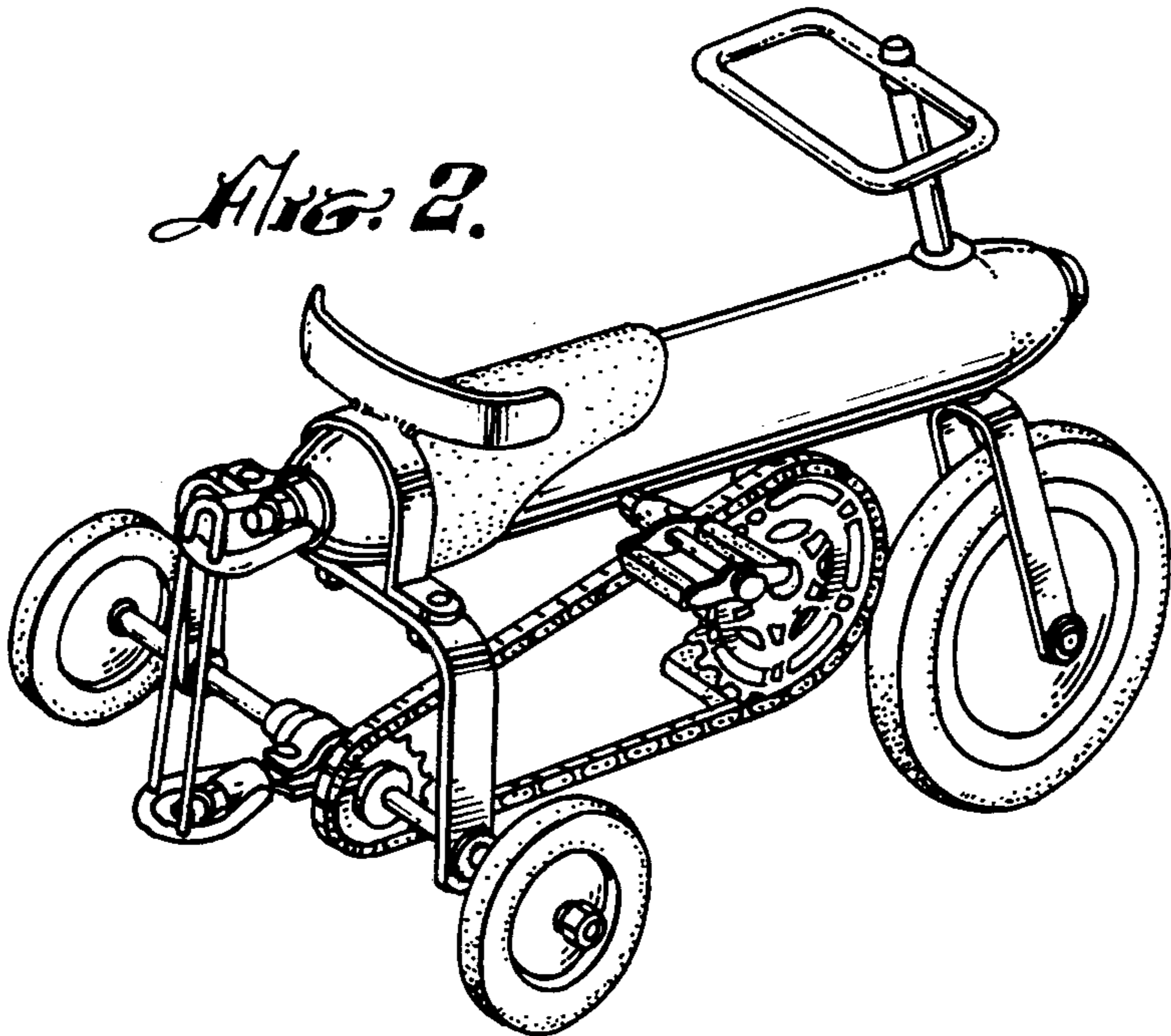
FIG. 3 is a fragmentary perspective view of a tricycle showing a second embodiment of my new design, it being understood that the tricycle body has been omitted for ease of illustration, wherein the only difference resides in the handle bar structure; and

FIG. 4 is a fragmentary perspective view of a tricycle showing a third embodiment of my new design, it being understood that the tricycle body has been omitted for ease of illustration, wherein the only difference resides in the handle bar structure.



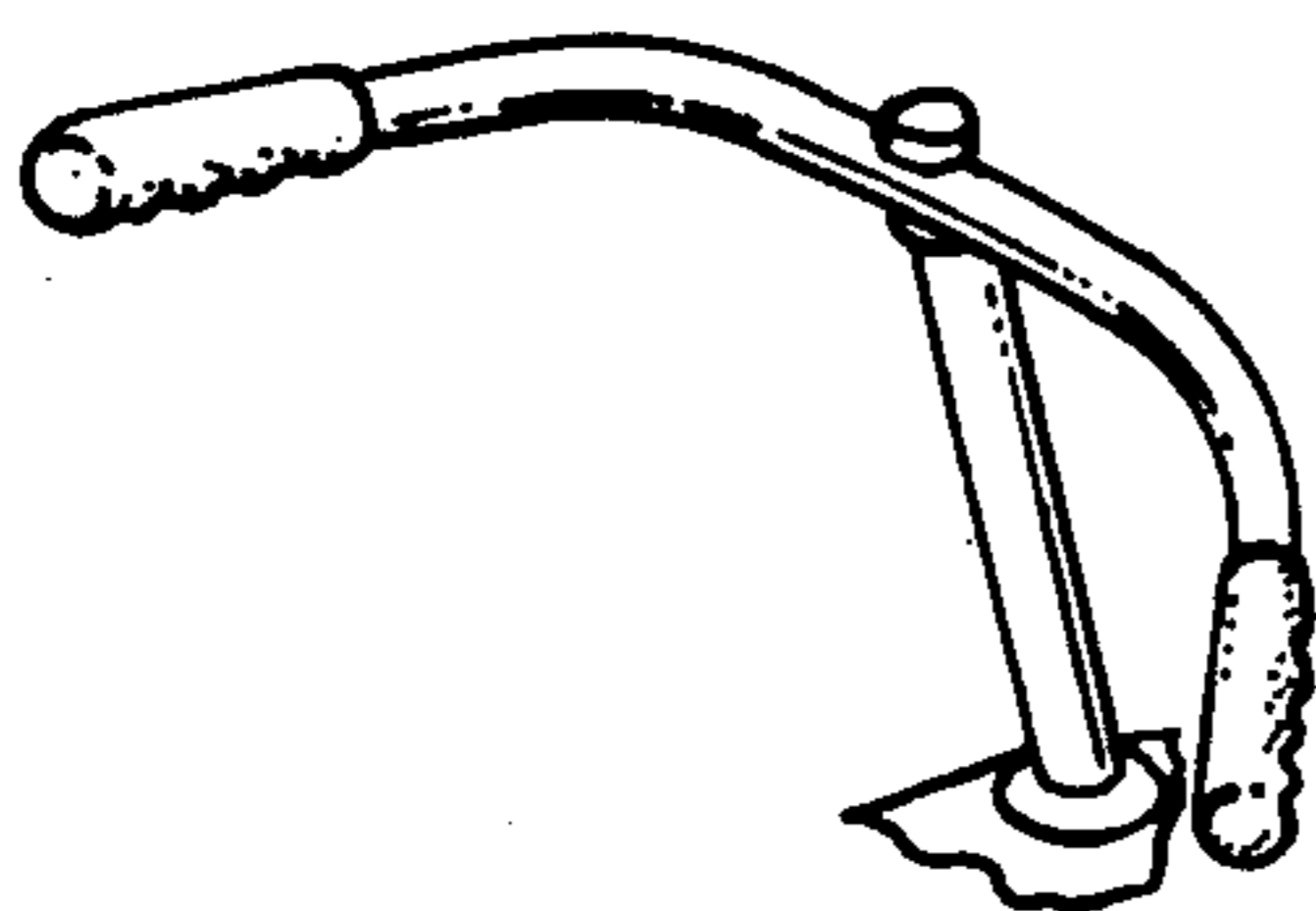


*Fig. 1.*



*Fig. 2.*

*Fig. 4.*



*Fig. 3.*

