

[54] LORAN RECEIVER

[75] Inventor: James R. Haynes, Lake City, S.C.

[73] Assignee: Kayot, Inc., Mankato, Minn.

[**] Term: 14 Years

[21] Appl. No.: 660,456

[22] Filed: Feb. 23, 1976

[51] Int. Cl. D10-04

[52] U.S. Cl. D10/46; D14/95

[58] Field of Search D10/46; D24/8;
343/6.8 R, 5 R, 5 AF, 5 DP, 5 GC, 5 LS;
D14/95, 94, 52

[56]

References Cited

U.S. PATENT DOCUMENTS

D. 232,941	9/1974	Davis, Jr.	D10/46
D. 236,135	7/1975	Provost	D10/46
3,836,962	9/1974	Zaleski	343/6.8 R

Primary Examiner—Bernard Ansher
Attorney, Agent, or Firm—George F. Williamson

[57]

CLAIM

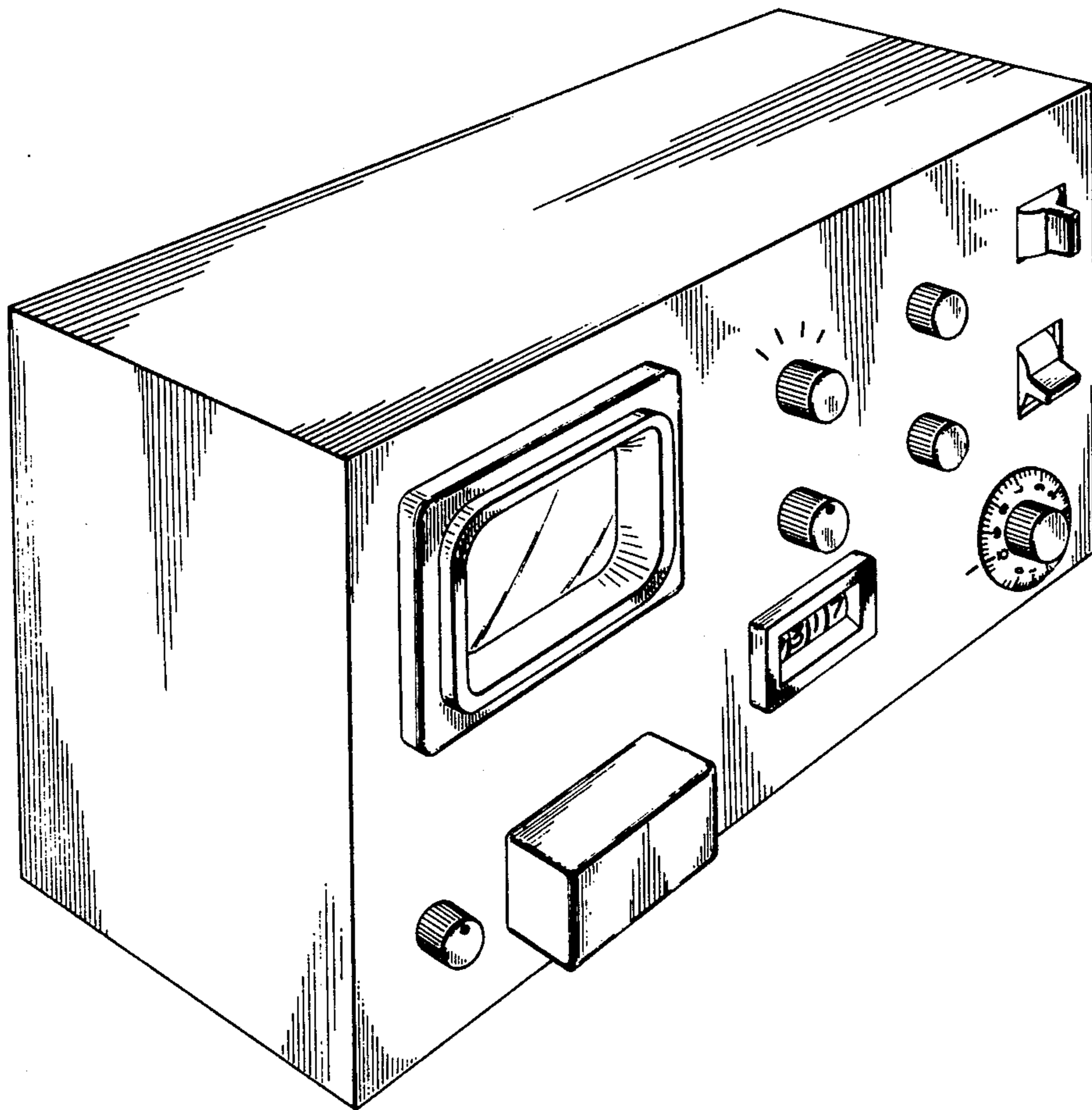
The ornamental design for a loran receiver, substantially as shown and described.

DESCRIPTION

FIG. 1 is a perspective view of a loran receiver showing my new design; and

FIG. 2 is a front elevational view of the loran receiver shown in FIG. 1.

The right side of the loran receiver is a mirror image of the side shown in FIG. 1. The rear surface of the receiver is a plane surface.



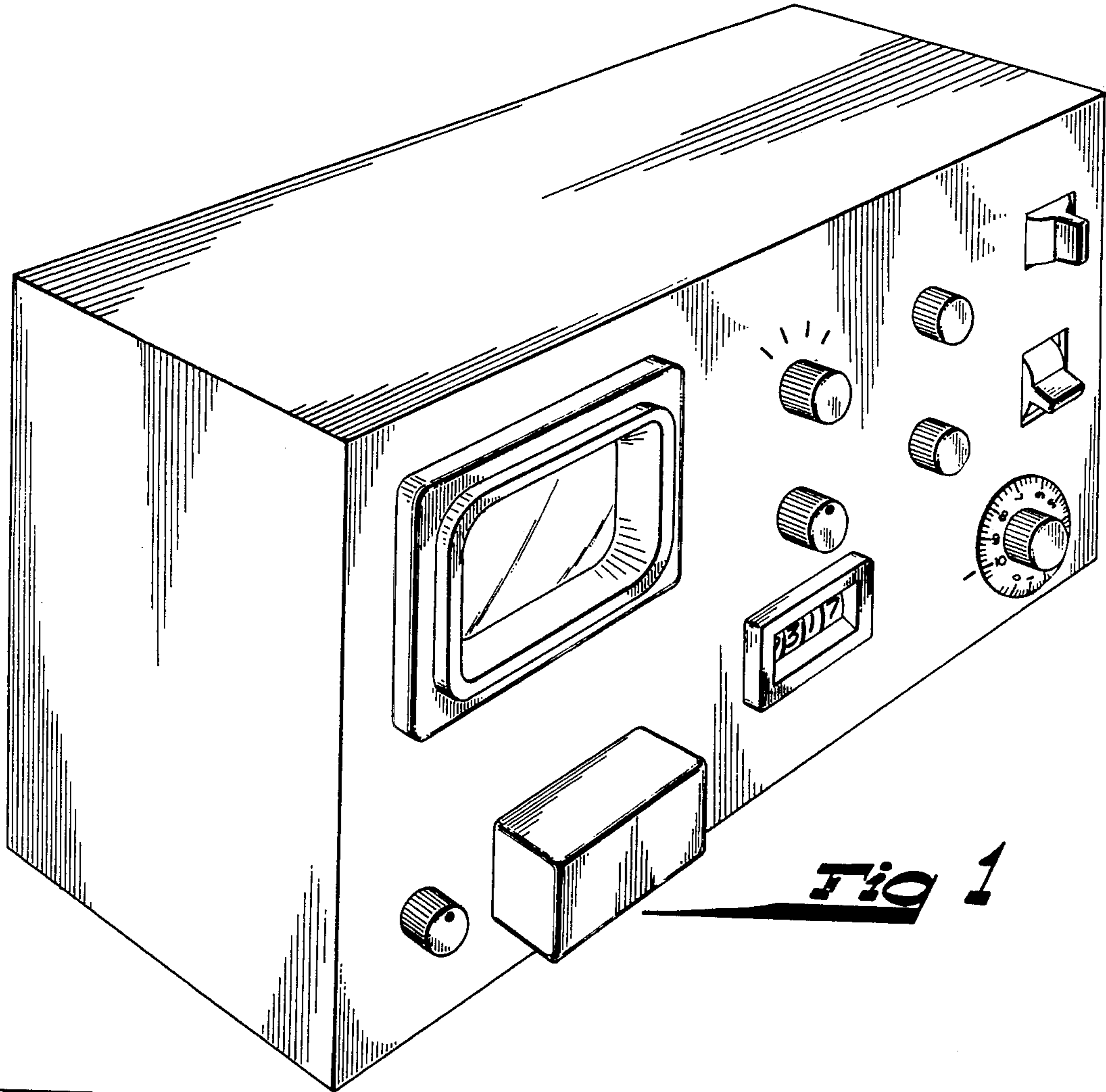


Fig 1

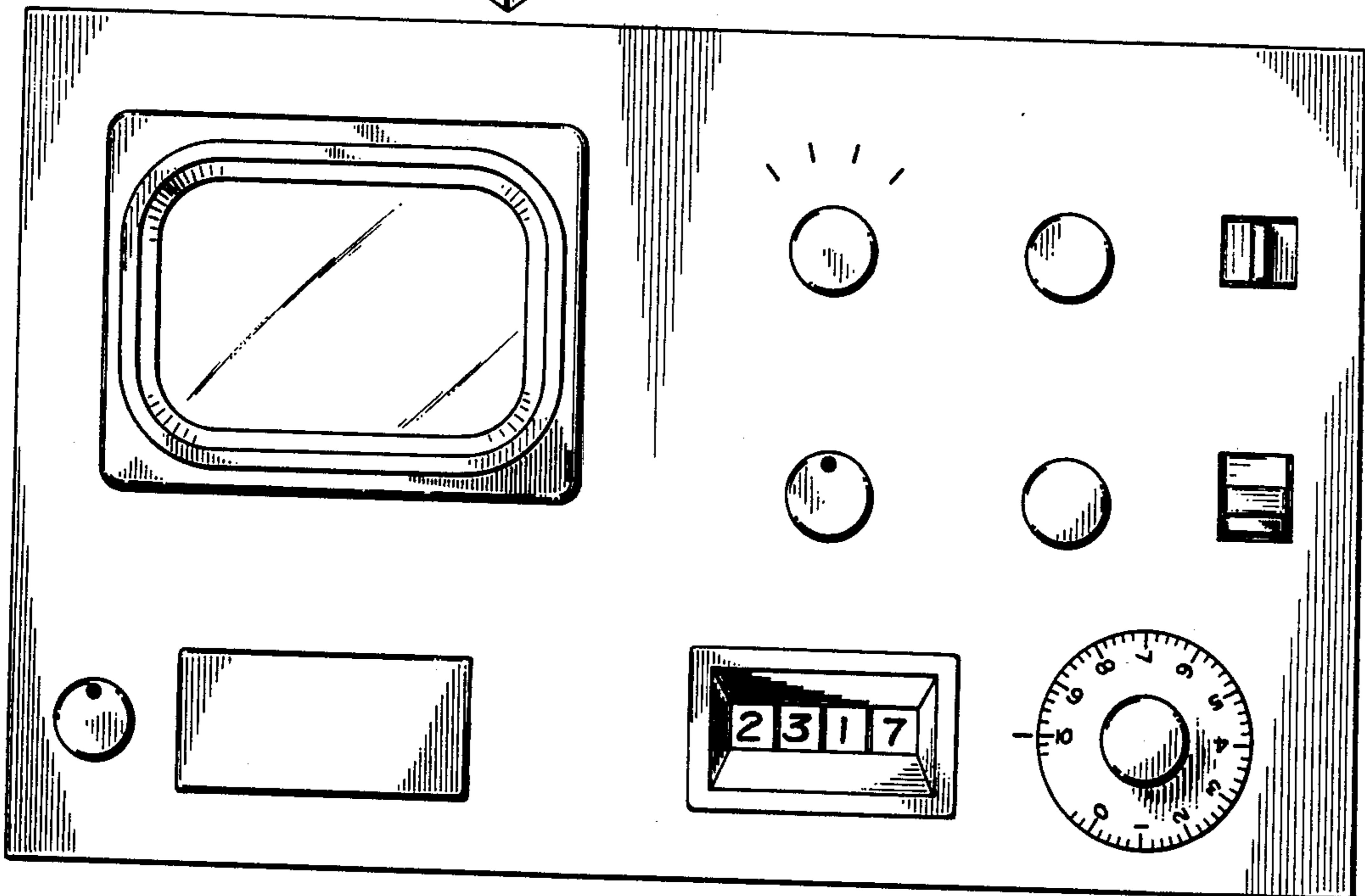


Fig 2