

[54] **FLAT-HEADED CLAMP FOR USE WITH SLOTTED CUTTER GUIDE**

[76] **Inventor:** Clayton A. Elliott, 1931 Arbor La., Union, N.J. 07083

[**] **Term:** 14 Years

[21] **Appl. No.:** 664,499

[22] **Filed:** Mar. 8, 1976

[51] **Int. Cl.** D8-05; D8-08

[52] **U.S. Cl.** D8/72; D8/73

[58] **Field of Search** D8/71, 72, 73; D10/65; 33/80; 83/745, 466

[56] **References Cited**

U.S. PATENT DOCUMENTS

D. 175,985	11/1955	Sawyer	D8/72
D. 211,659	7/1968	Reuterfors	D10/65
236,239	1/1881	Morris	269/249 X
1,026,475	5/1912	Tarbuck	269/249 X

2,708,465	5/1955	Huebner et al	83/745
2,942,633	6/1960	King	83/745
3,186,452	6/1965	Magnussen	83/745
3,286,744	11/1966	Stall et al.	83/466 X
3,910,146	10/1975	Earl	83/745

Primary Examiner—Alan P. Douglas
Attorney, Agent, or Firm—Martha G. Pugh

[57] **CLAIM**

The ornamental design for a flat-headed clamp for use with slotted cutter guide, as shown and described.

DESCRIPTION

FIG. 1 is an isometric showing of one side of the flat-headed clamp for use with slotted cutter guide of my invention which is posed to engage the internal lower slot of an elongated cutter guide, the latter being shown in phantom as not being part of my invention.

FIG. 2 is an isometric view of the other side of the flat-headed clamp of my invention.

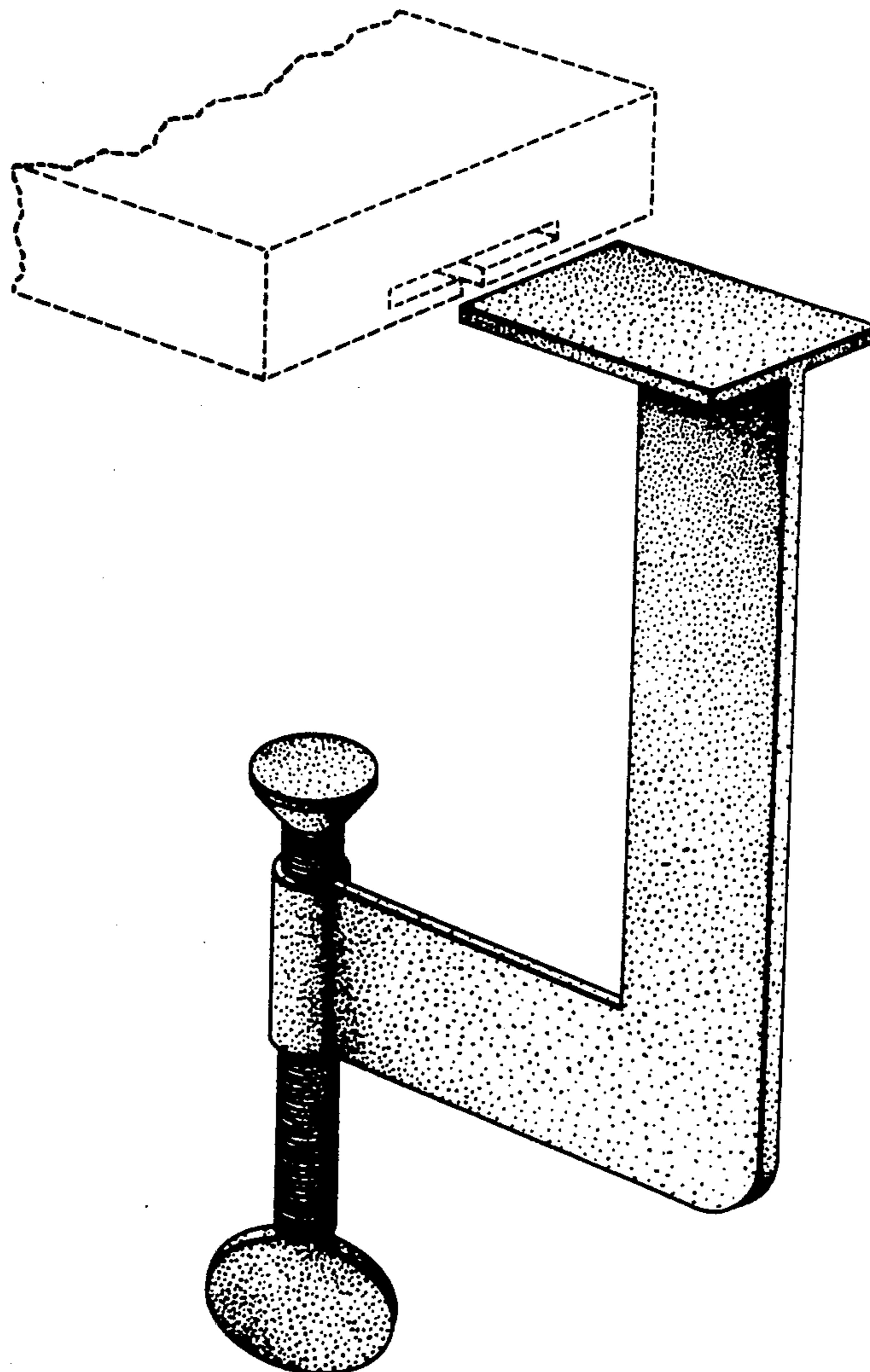


FIG. 1

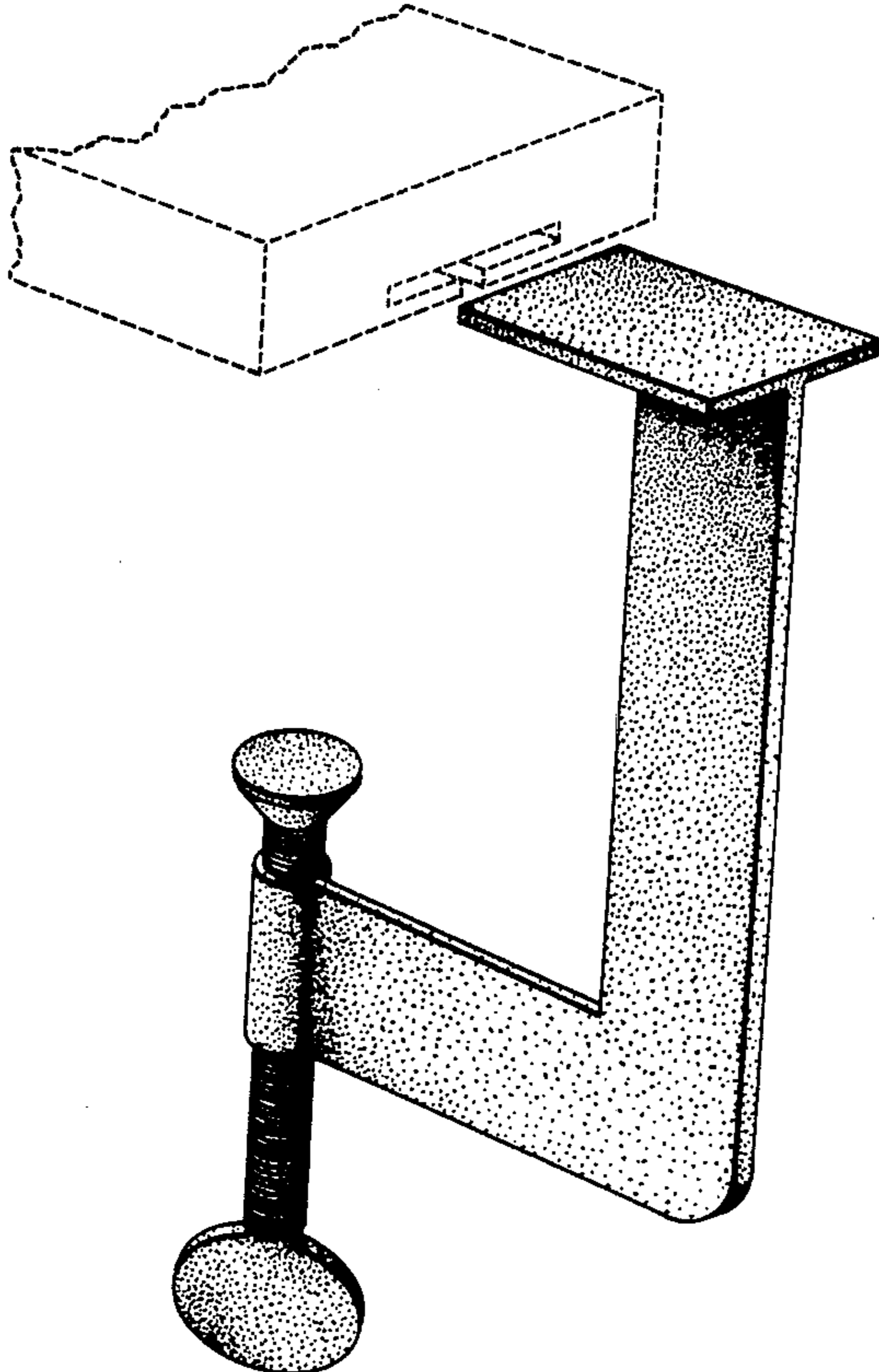


FIG. 2

