

[54] SAWMILL ATTACHMENT FOR A CHAIN SAW

[76] Inventor: Robert Sperber, 217 Smull Ave., North Caldwell, N.J. 07006

[\*\*] Term: 14 Years

[21] Appl. No.: 722,619

[22] Filed: Sep. 13, 1976

[51] Int. Cl. .... D8-03

[52] U.S. Cl. .... D8/71; D8/70; D15/140

[58] Field of Search ..... D8/70, 71; 30/371, 372, 30/373, 374, 376, 381; D15/133, 140, 141

[56] References Cited

U.S. PATENT DOCUMENTS

3,242,956 3/1966 Schlosberg ..... 30/371 X  
3,695,316 10/1972 Pluckhahn ..... 30/381

Primary Examiner—Alan P. Douglas  
Attorney, Agent, or Firm—Bruce M. Eisen

[57] CLAIM

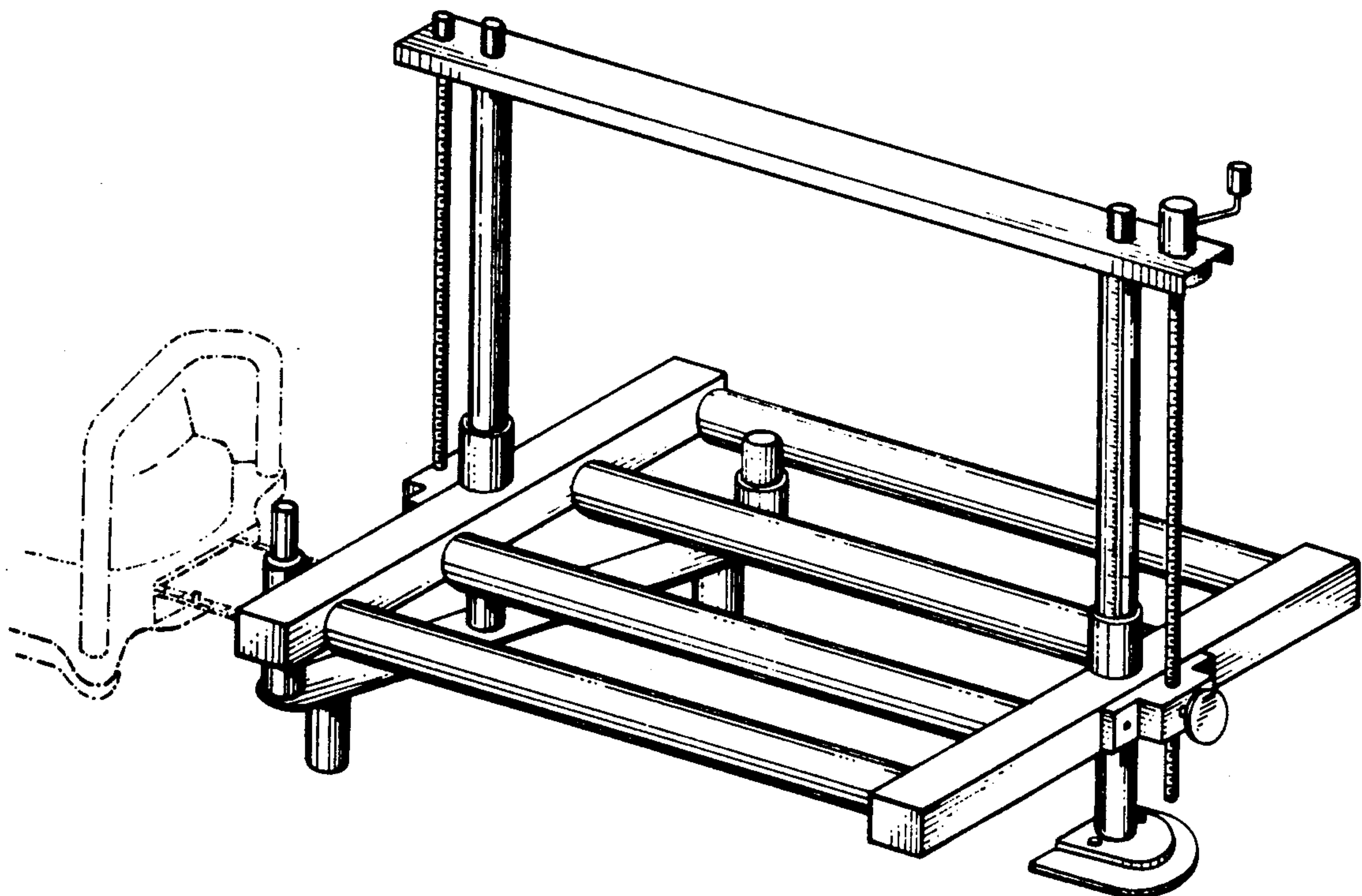
The ornamental design for a sawmill attachment for a chain saw, as shown and described.

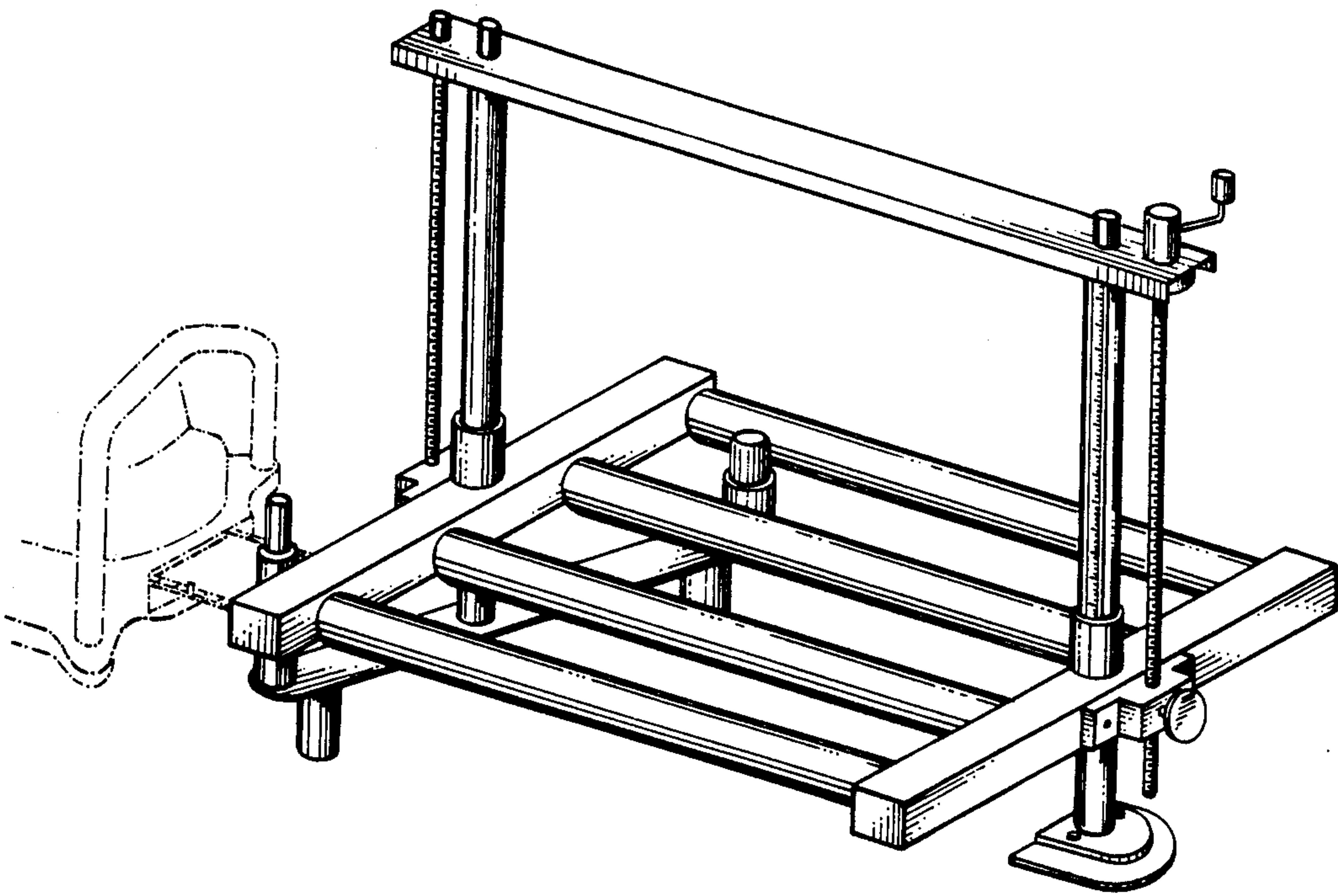
DESCRIPTION

FIG. 1 is a top isometric view of the new design for a sawmill attachment for a chain saw.

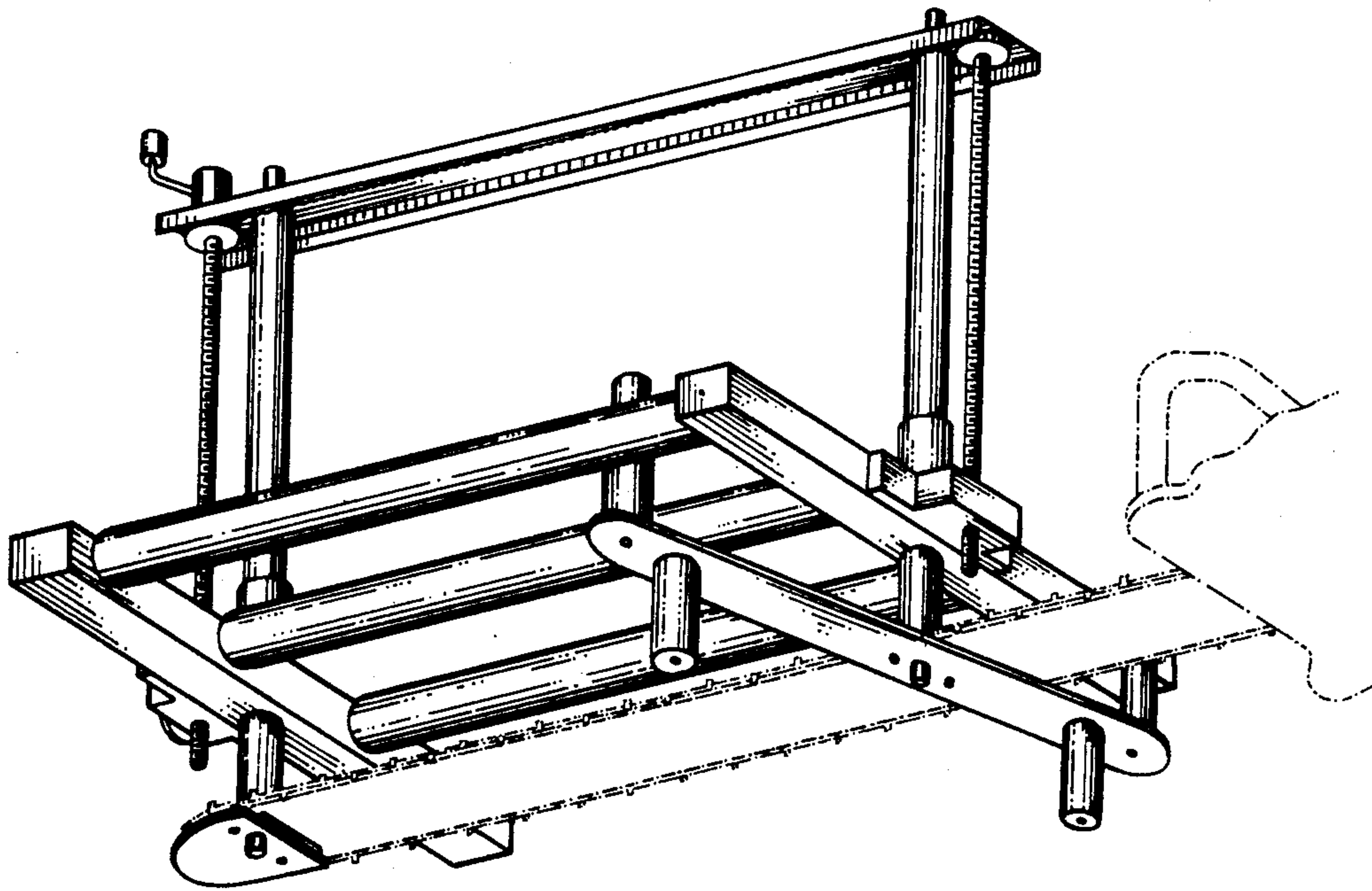
FIG. 2 is a bottom isometric view.

A portion of a chain saw is shown in both figures in dotted lines to illustrate the relationship of the sawmill attachment to the chain saw which is not claimed.





*Fig. 1*



*Fig. 2*