

[54] PICTURE FRAME

[75] Inventor: Edward S. Korzon, Beacon Falls, Conn.

[73] Assignee: Dura Plastics of New York, Inc., Westport, Conn.

[**] Term: 14 Years

[21] Appl. No.: 753,196

[22] Filed: Dec. 22, 1976

[51] Int. Cl. D6-07

[52] U.S. Cl. D6/235

[58] Field of Search D6/232-246; D11/27; D28/65, 66, 67, 68, 69, 72; 40/152, 152.1, 154, 156, 155; 428/13, 14

[56] References Cited

U.S. PATENT DOCUMENTS

D. 51,916	4/1918	Brown	D6/237
D. 128,669	8/1941	Lynch	D28/66
D. 244,675	6/1977	Mobell	D11/27

FOREIGN PATENT DOCUMENTS

22,956	11/1899	United Kingdom	40/152.1
--------	---------	----------------------	----------

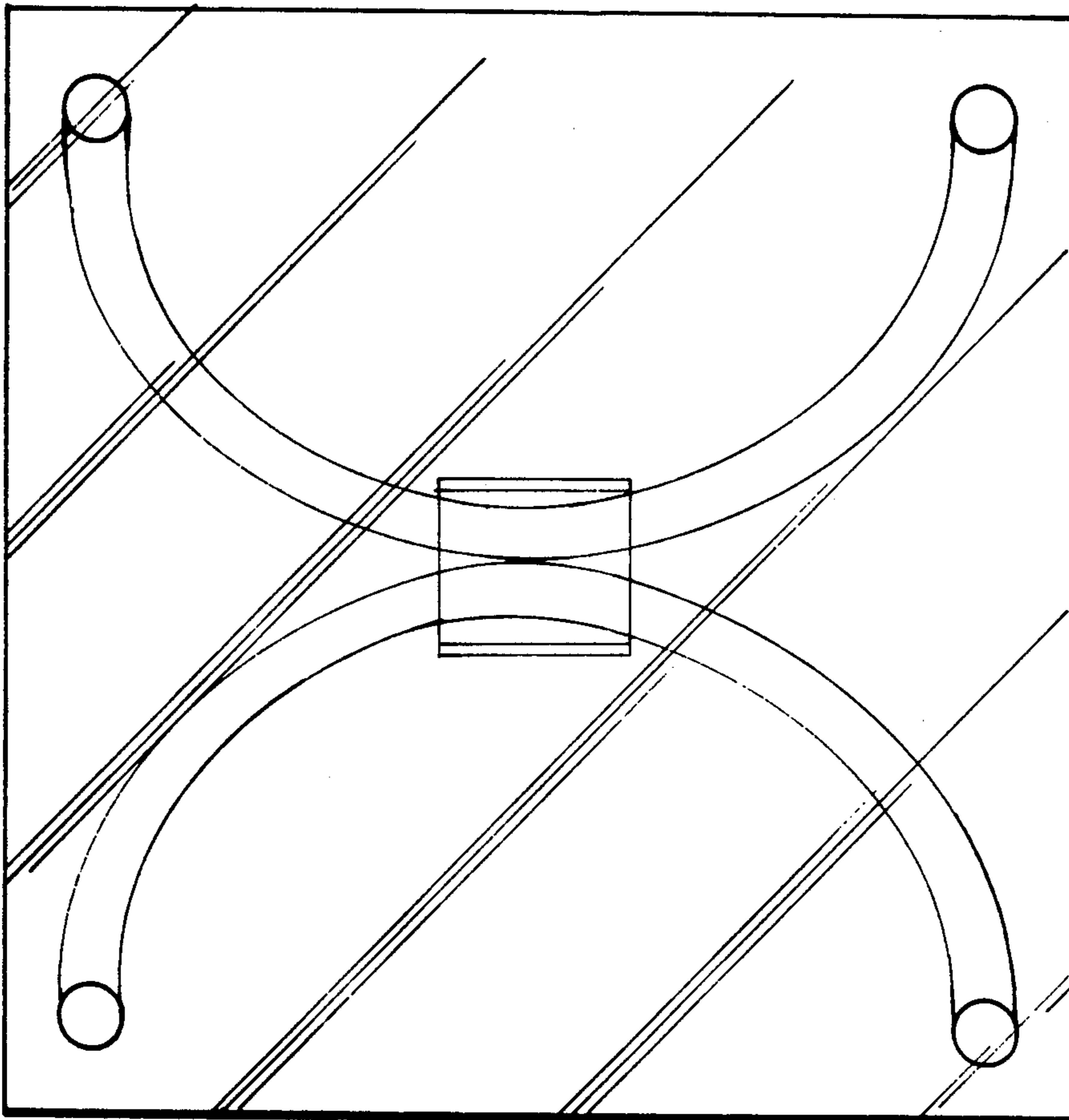
Primary Examiner—Joel Stearman
Assistant Examiner—C. A. Rademaker
Attorney, Agent, or Firm—Terrell C. Birch

[57] CLAIM

The ornamental design for a picture frame, as shown.

DESCRIPTION

FIG. 1 is a front elevational view of a picture frame showing my new design;
FIG. 2 is a side elevational view thereof;
FIG. 3 is a rear elevational view thereof; and,
FIG. 4 is a top plan view thereof.



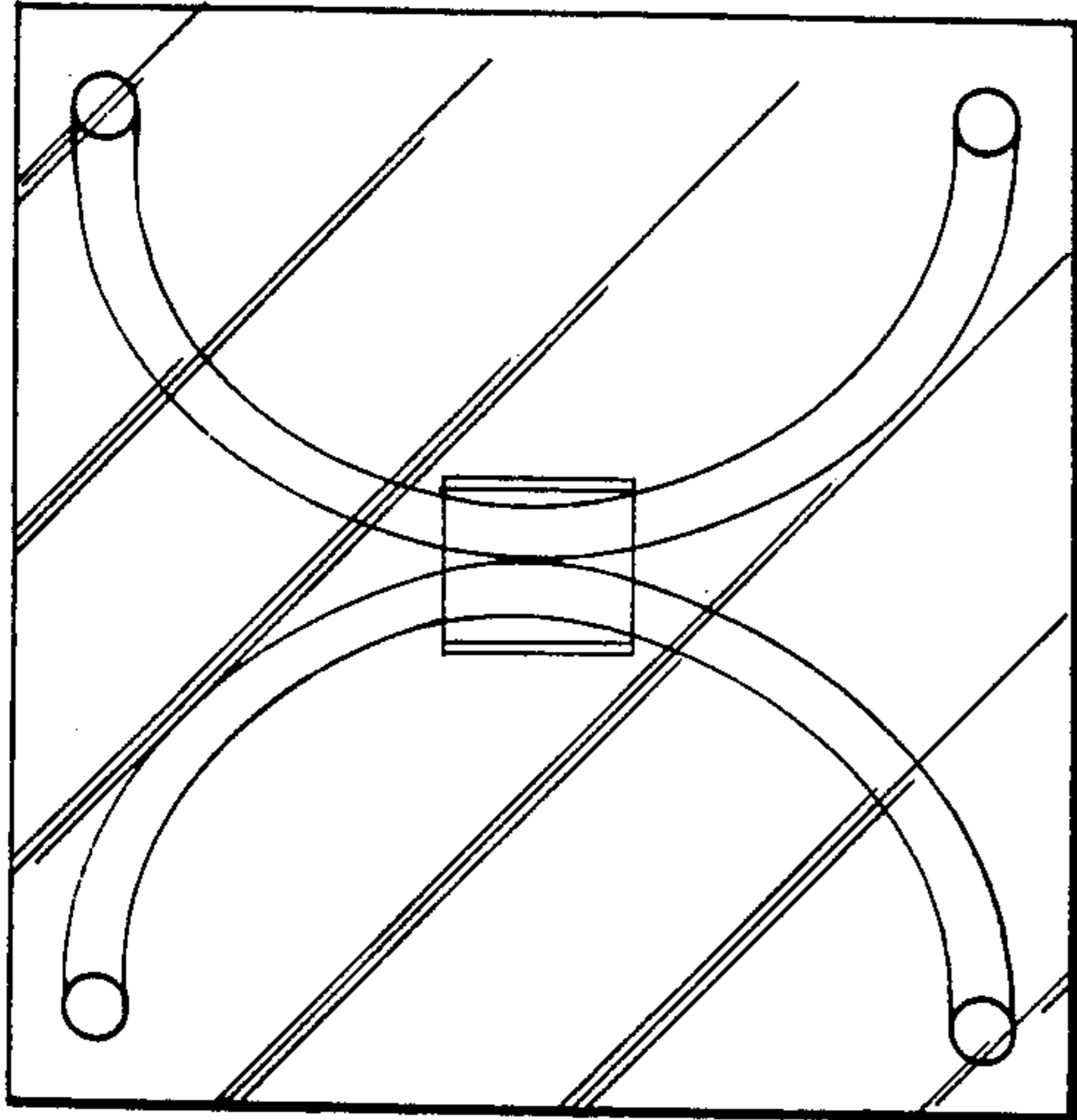


FIG. 1

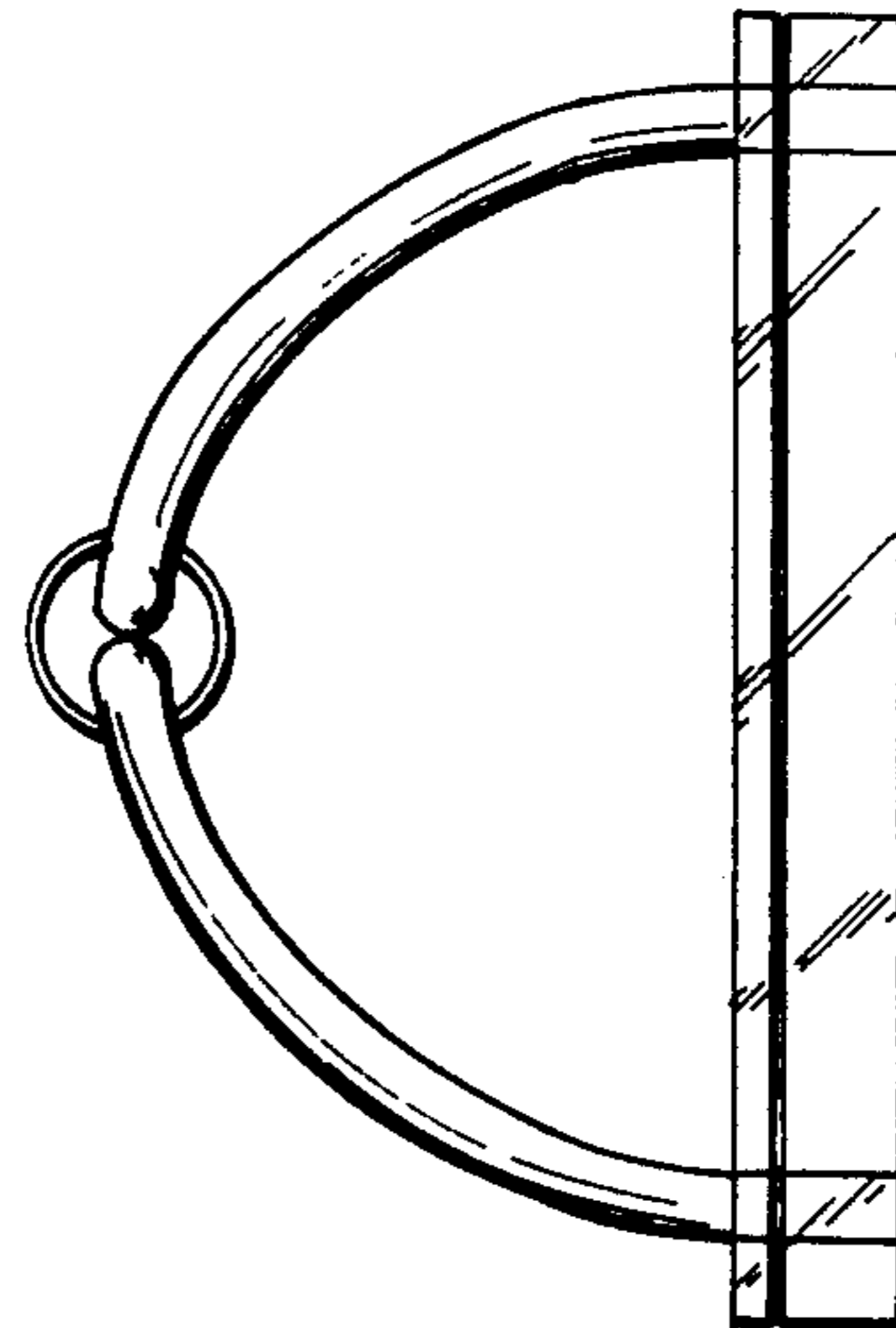


FIG. 2

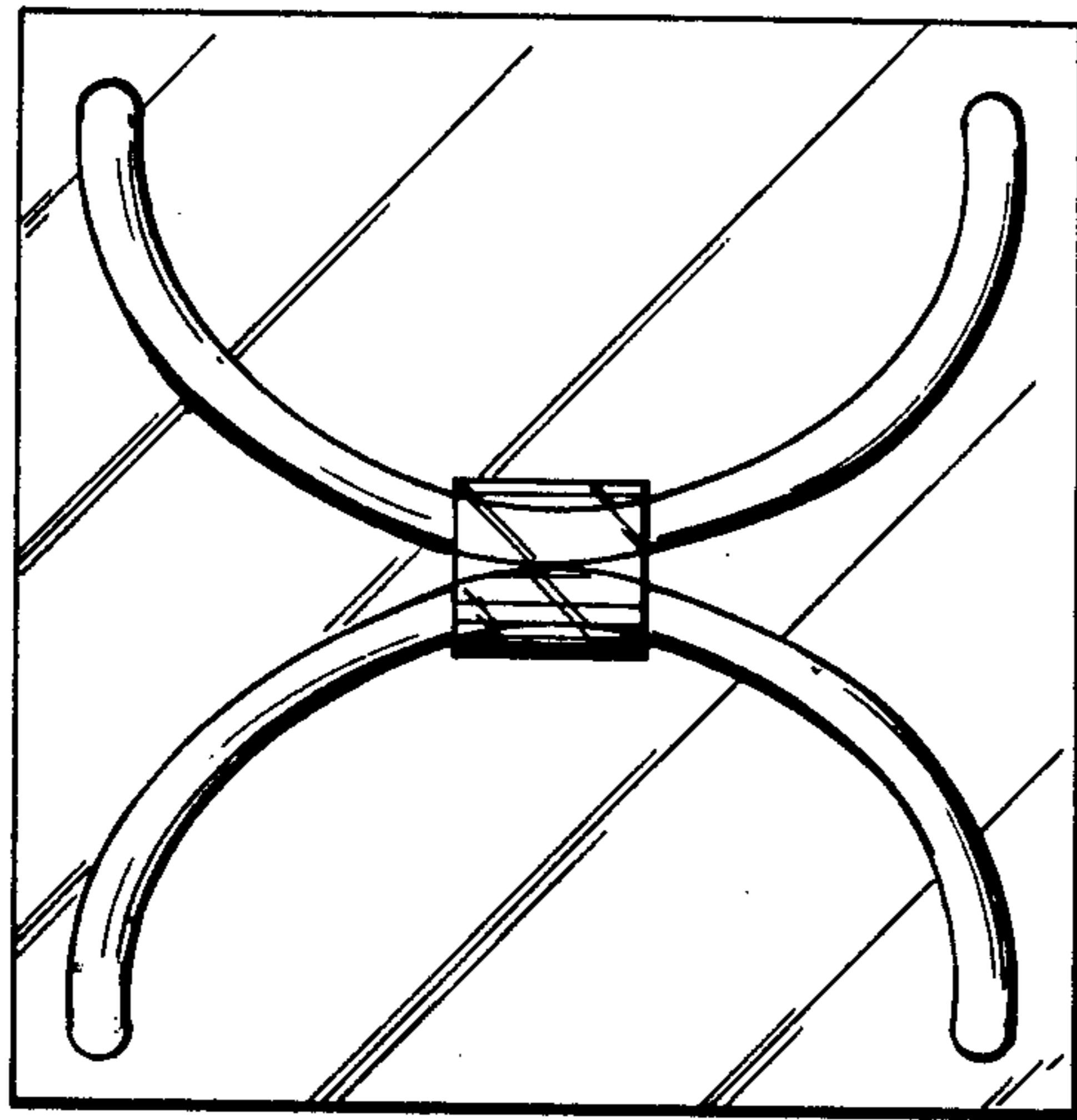


FIG. 3

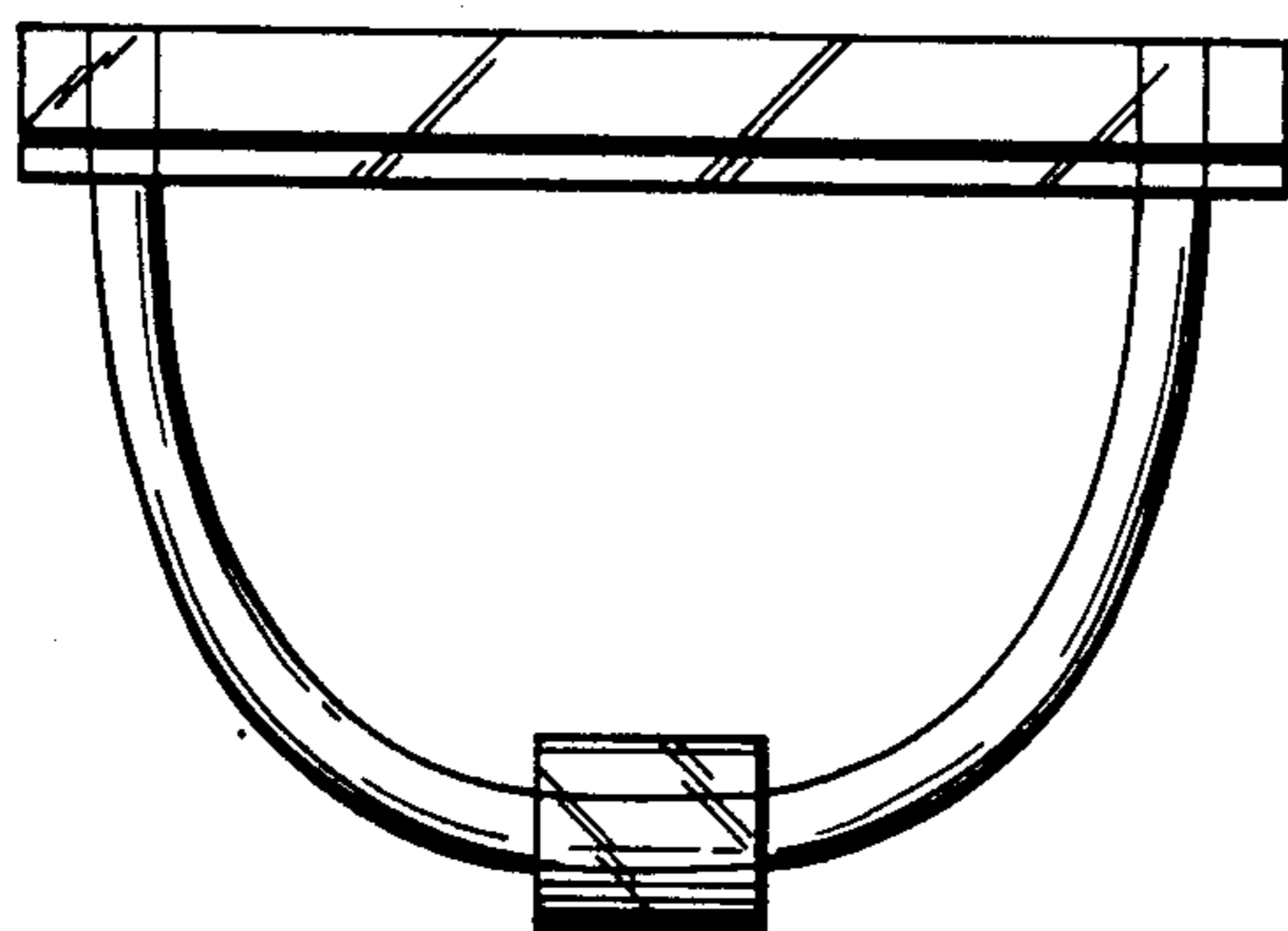


FIG. 4