

[54] HORSE SHOES SHAPED SUPPORT FRAME FOR ROCKING CHAIR

[76] Inventor: Emil Vee Lundgren, 1715 W. Westward, Banning, Calif. 92220

[**] Term: 3 1/2 Years

[21] Appl. No.: 710,803

[22] Filed: Aug. 2, 1976

[51] Int. Cl. D6-06

[52] U.S. Cl. D6/191; D6/49; D6/74; D6/195

[58] Field of Search D6/49, 50, 51, 68, 74, D6/12, 151, 147, 175, 191; D27/11

[56] References Cited

U.S. PATENT DOCUMENTS

- D. 85,456 10/1931 Boyce D6/151
- D. 120,222 4/1940 Harman D6/74
- D. 138,821 9/1944 Larson D6/175

- D. 156,448 12/1949 Marbriet D6/191
- D. 207,263 3/1967 Bowers D6/147
- D. 224,633 8/1972 Kohl D6/12
- D. 236,046 7/1975 Ginat D6/49

Primary Examiner—Bruce W. Dunkins
Attorney, Agent, or Firm—Erik M. Arnhem

[57] CLAIM

The ornamental design for a horse shoes shaped support frame for rocking chair, substantially as shown.

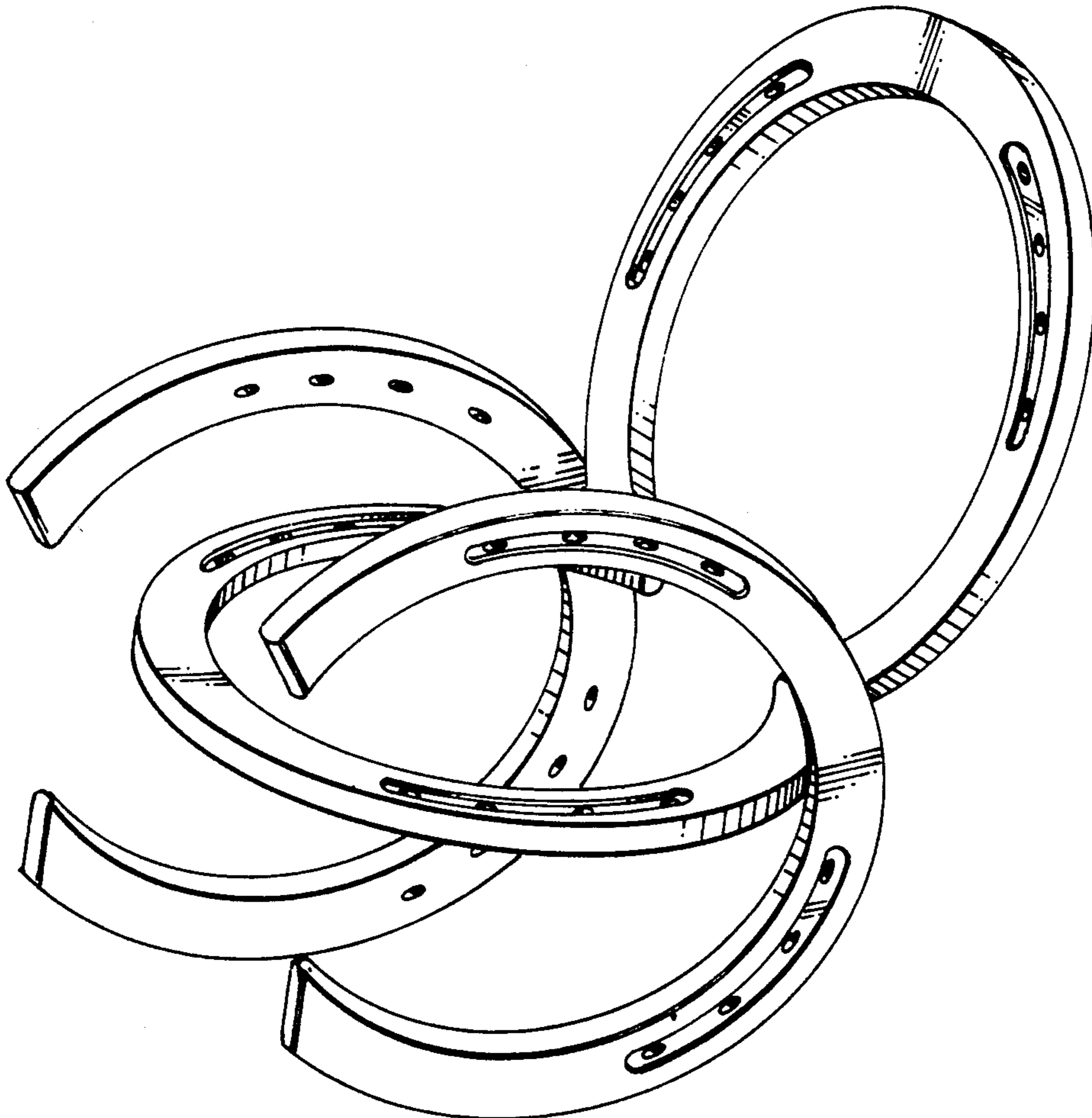
DESCRIPTION

FIG. 1 is a perspective side view of a horse shoes shaped support frame for rocking chair, showing my new design;

FIG. 2 is a top view thereof, drawn to a reduced scale with respect to FIG. 1.

FIG. 3 is an elevational side view thereof, drawn to a reduced scale with respect to FIG. 1.

FIG. 4 is a rear elevational view thereof drawn to a reduced scale, with respect to FIG. 1.



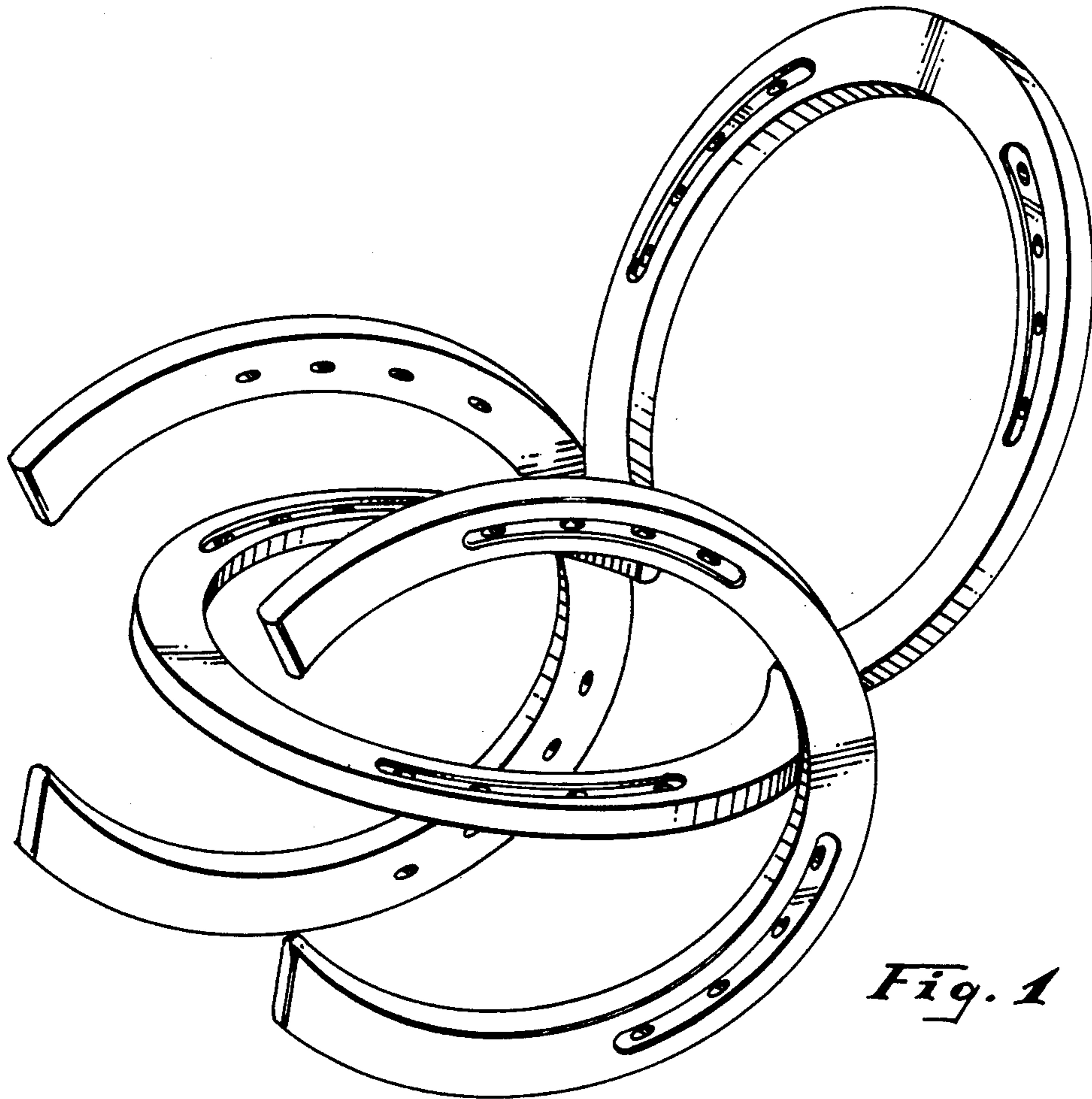


Fig. 1

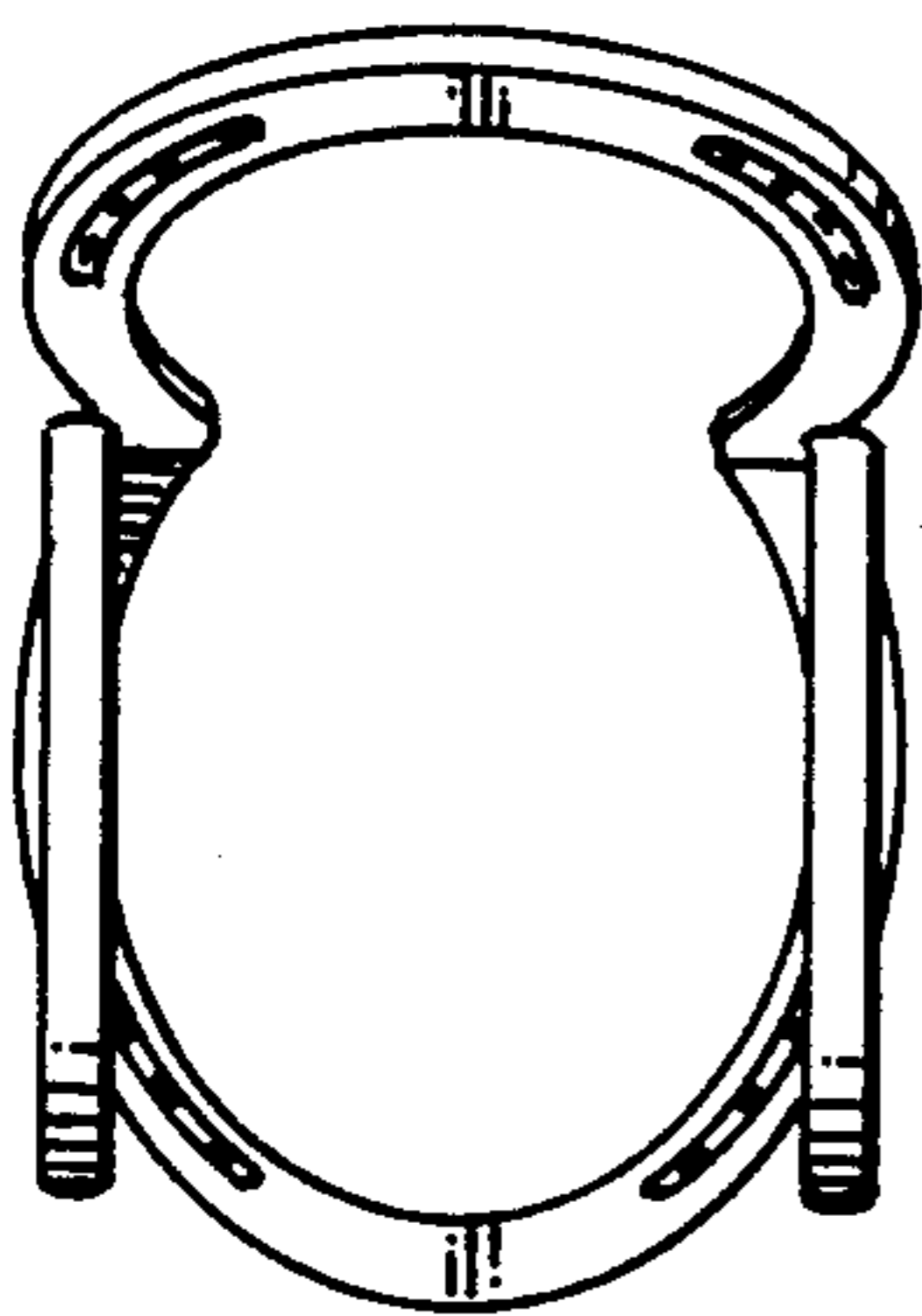


Fig. 2

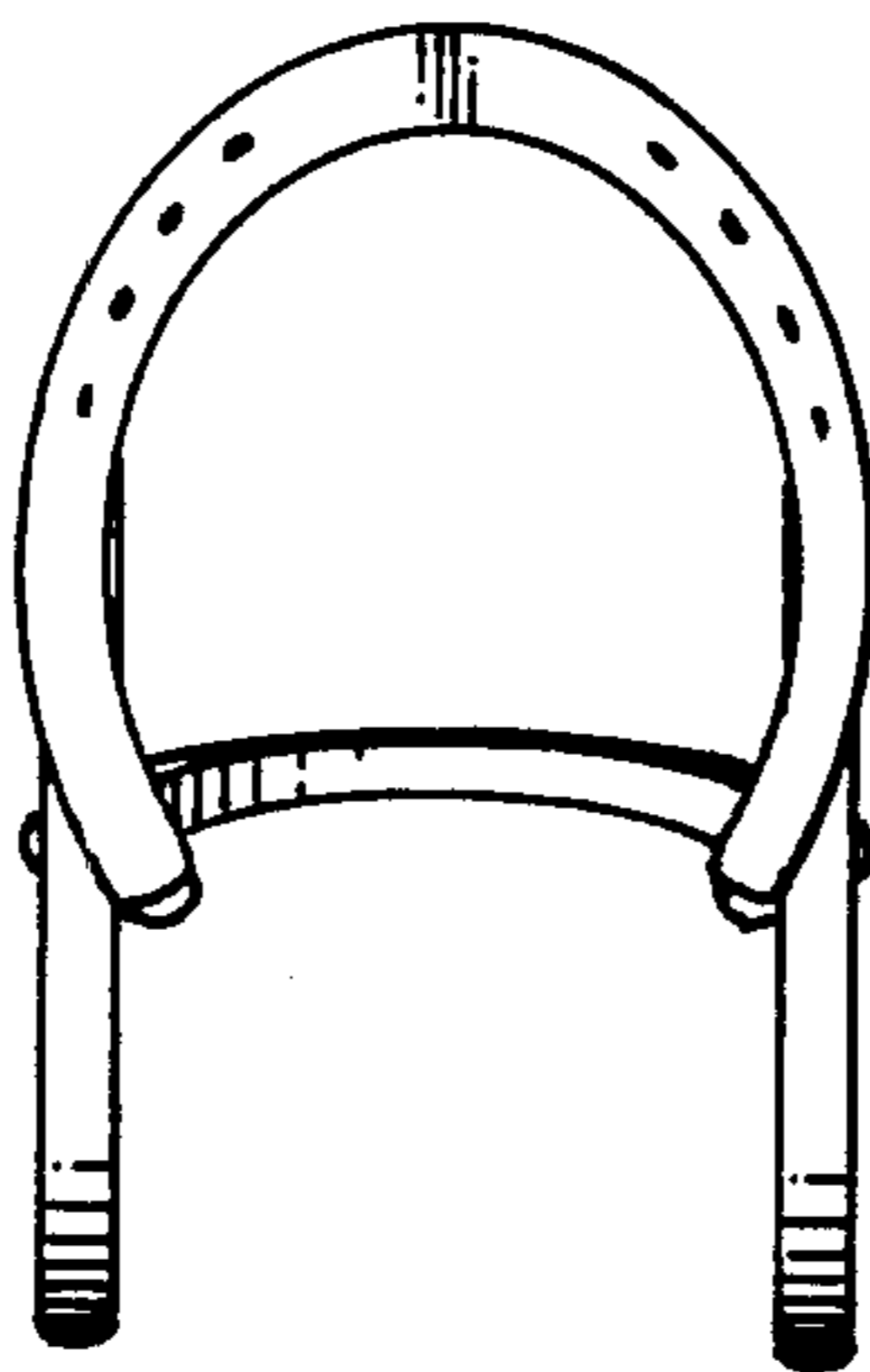


Fig. 4

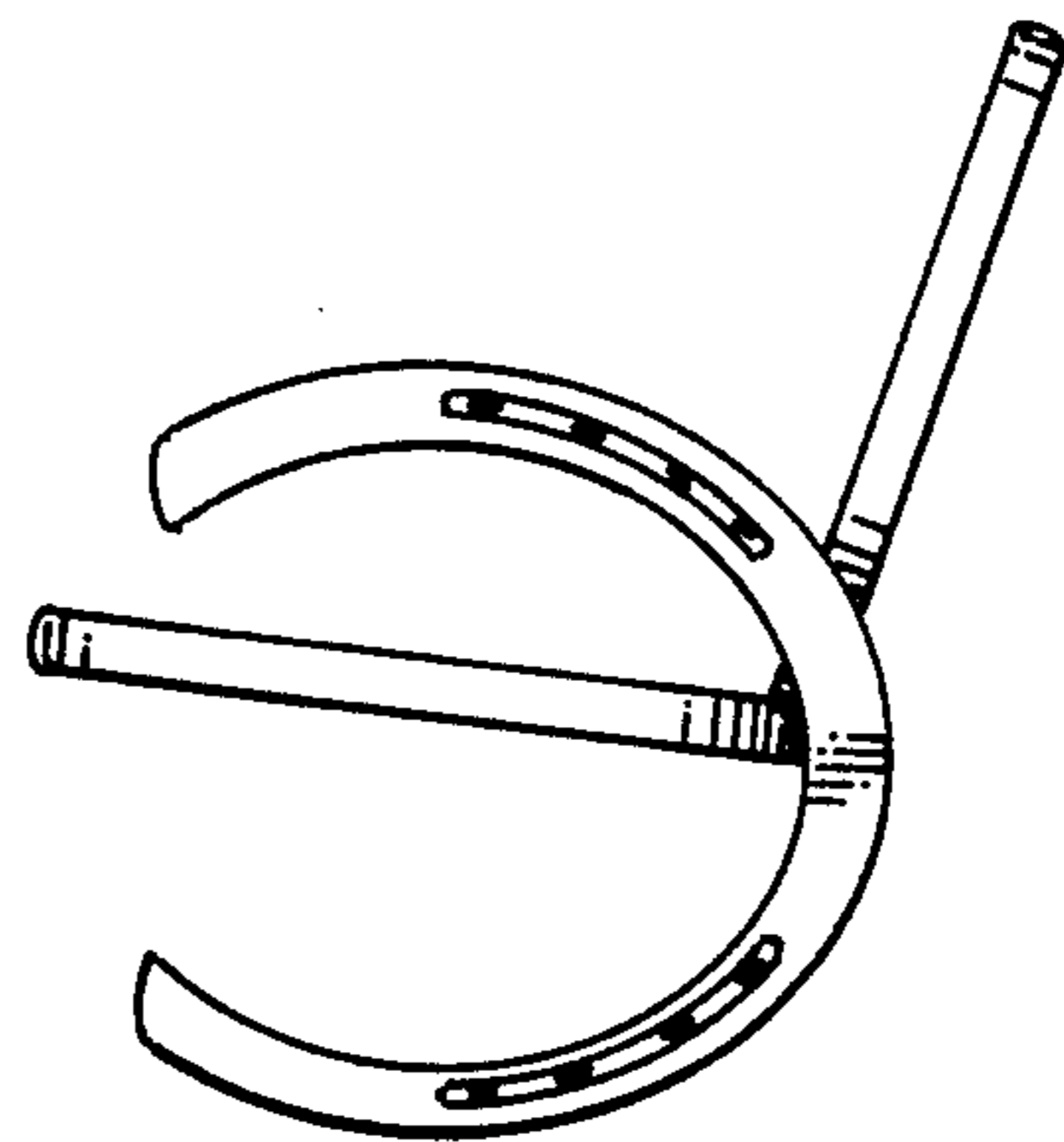


Fig. 3