

[54] EYEGLOSS HOLDER

[76] Inventor: Marcia M. Gitlitz, P.O. Box 1084, Fort Lee, N.J. 07204

[\*\*] Term: 14 Years

[21] Appl. No.: 700,604

[22] Filed: Jun. 28, 1976

[51] Int. Cl. .... D6-04

[52] U.S. Cl. .... D6/188; D6/85

[58] Field of Search ..... D6/85, 114, 188; D7/207, 212; 211/13, 194; 248/DIG. 2; 206/5, 511

[56] References Cited

U.S. PATENT DOCUMENTS

|            |         |       |       |         |
|------------|---------|-------|-------|---------|
| D. 232,340 | 8/1974  | Lax   | ..... | D6/188  |
| 1,010,801  | 12/1911 | Rapp  | ..... | 206/511 |
| 1,492,113  | 4/1924  | Welsh | ..... | 211/13  |

|           |         |         |       |        |
|-----------|---------|---------|-------|--------|
| 2,808,788 | 10/1957 | Stough  | ..... | 211/13 |
| 3,430,773 | 3/1969  | Hancock | ..... | 211/13 |

Primary Examiner—Wallace R. Burke  
Assistant Examiner—B. J. Bullock  
Attorney, Agent, or Firm—Sidney S. Kanter

[57] CLAIM

The ornamental design for an eyeglass holder, substantially as shown and described.

DESCRIPTION

FIG. 1 is a perspective view of an eyeglass holder depicting my new design, the pair of eyeglasses being shown in broken lines for illustrative purposes only; FIG. 2 is a side elevational view thereof; FIG. 3 is a top plan view thereof; FIG. 4 is a bottom plan view thereof; FIG. 5 is an end elevational view thereof; and FIG. 6 is an end elevational view of a second embodiment of the design of FIG. 1, the only difference being the stacking together of the individual eyeglass holders.

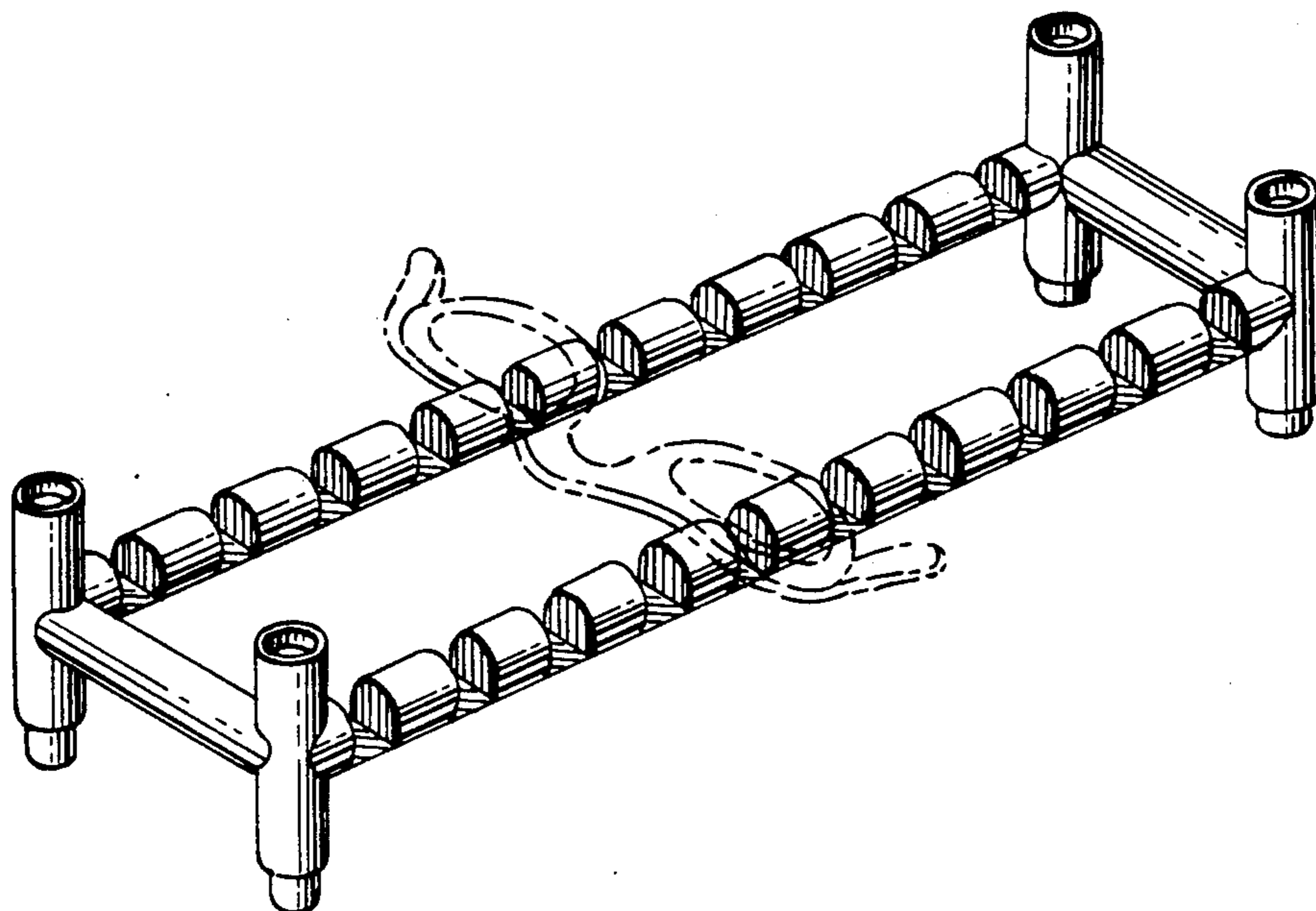


FIG. 1.

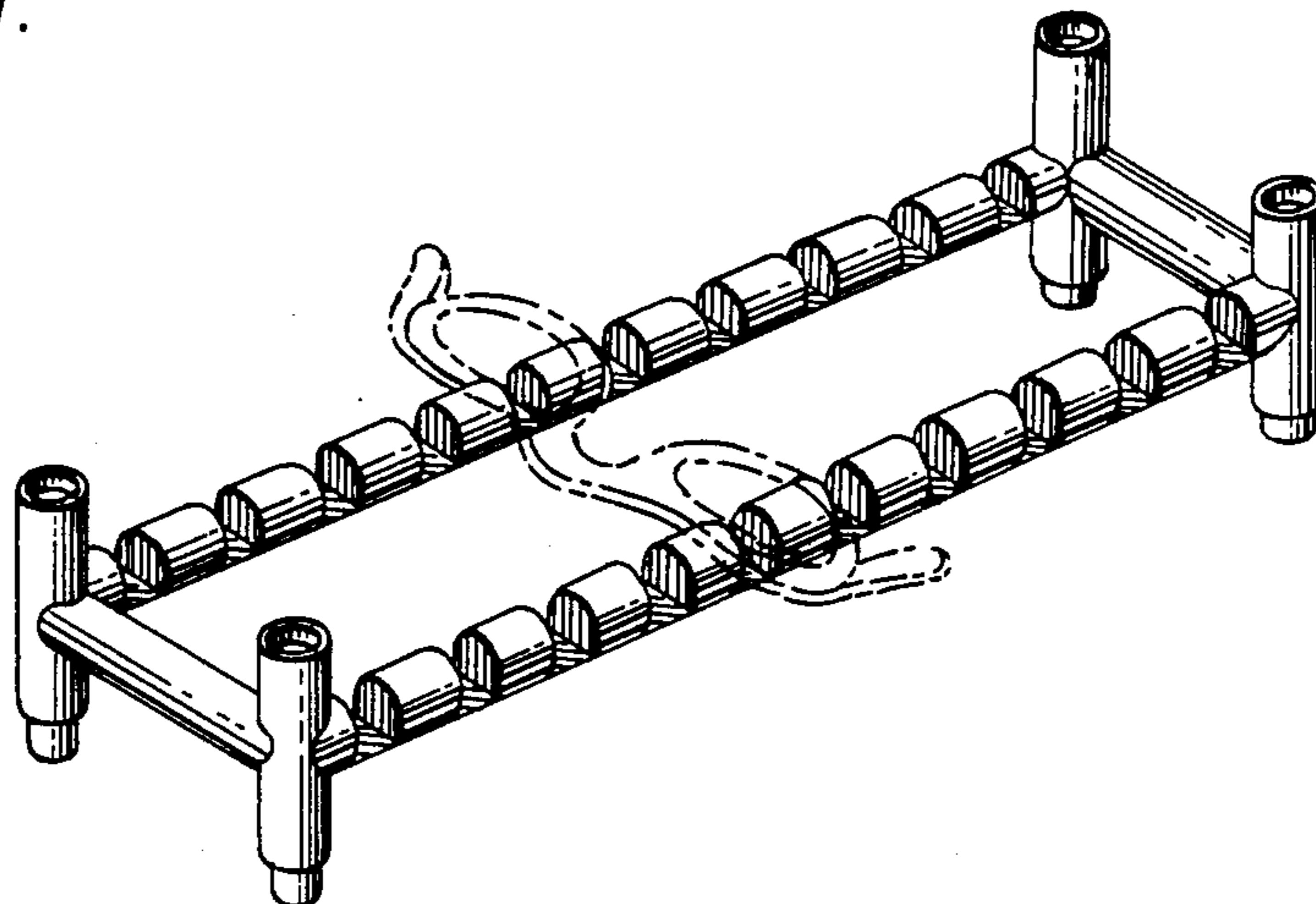


FIG. 2.

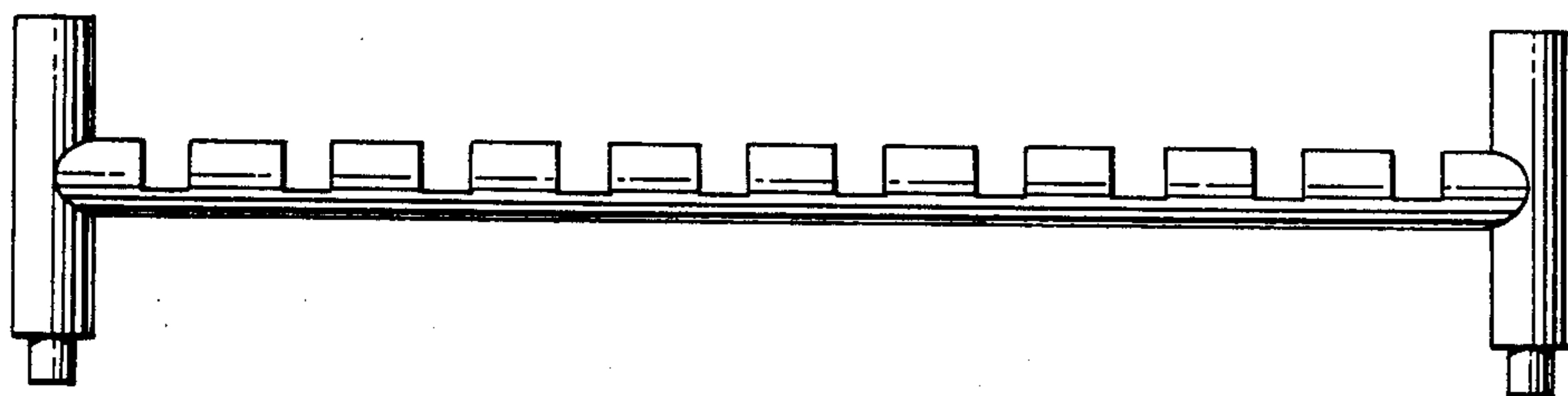


FIG. 5.

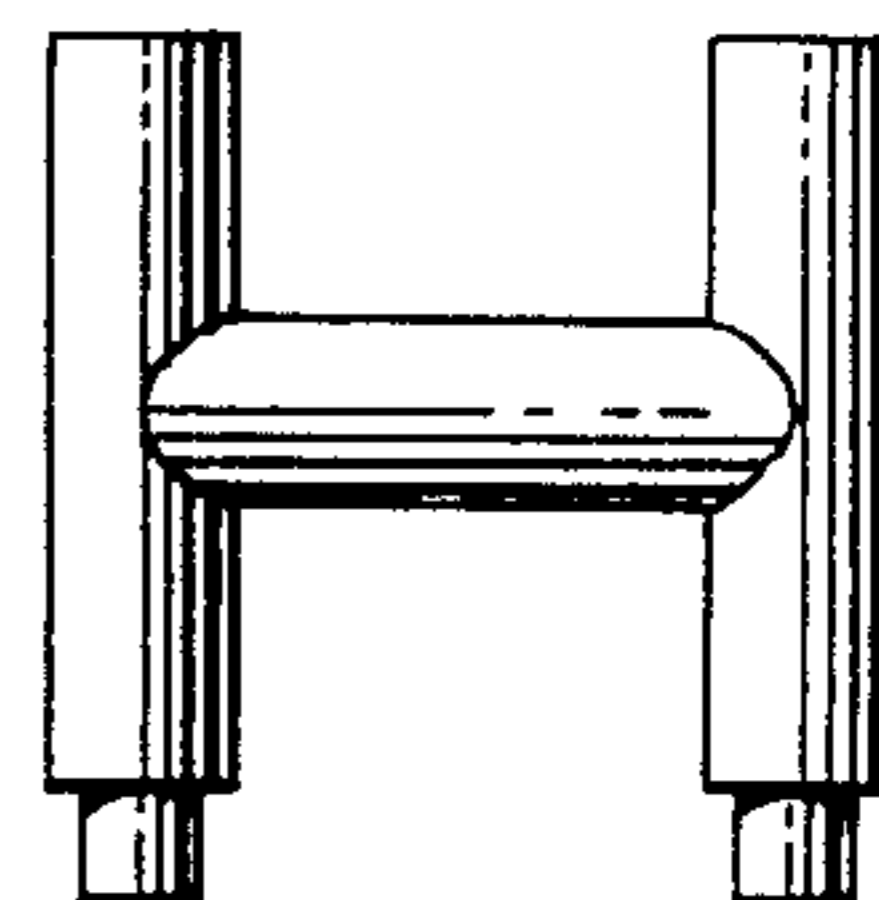


FIG. 3.

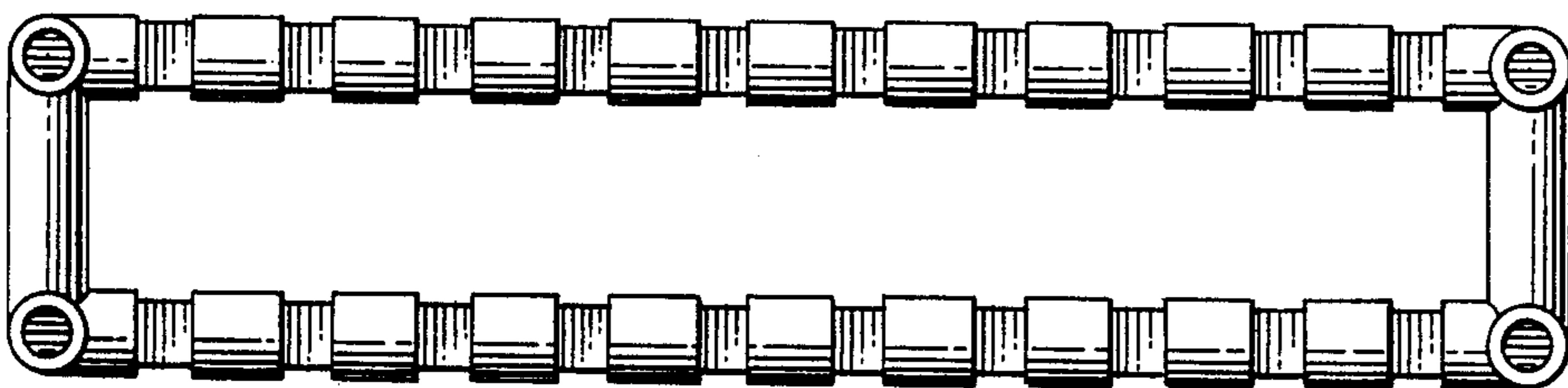


FIG. 6.

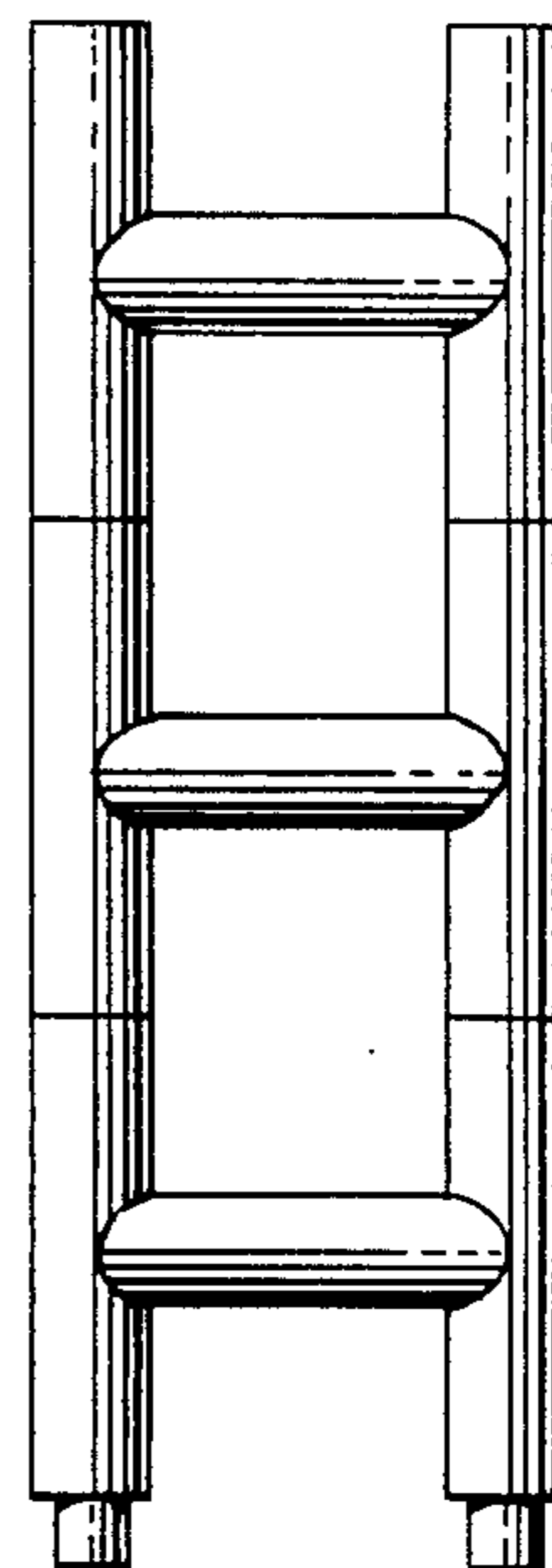


FIG. 4.

