

[54] STORAGE CABINET

[76] Inventor: Nadine F. Gayda, 1734 Kaiser, Irvine, Calif. 92714

[\*\*] Term: 14 Years

[21] Appl. No.: 730,451

[22] Filed: Oct. 7, 1976

[51] Int. Cl. .... D6-04

[52] U.S. Cl. .... D6/150; D6/167

[58] Field of Search ..... D6/146, 148, 149, 150, D6/153, 154, 158, 167, 168, 181, 186

[56] References Cited

U.S. PATENT DOCUMENTS

- |            |         |                      |        |
|------------|---------|----------------------|--------|
| D. 181,539 | 11/1957 | Lubberts et al. .... | D6/167 |
| D. 182,834 | 5/1958  | Lubberts et al. .... | D6/150 |
| D. 182,839 | 5/1958  | Lubberts et al. .... | D6/150 |

- |            |         |                   |          |
|------------|---------|-------------------|----------|
| D. 203,835 | 2/1966  | Klein et al. .... | D6/150   |
| D. 228,803 | 10/1973 | Hunt .....        | D6/167 X |

Primary Examiner—Bruce W. Dunkins  
Attorney, Agent, or Firm—Harvey C. Nienow

[57] CLAIM

The ornamental design for a storage cabinet, as shown and described.

DESCRIPTION

FIG. 1 is a perspective view showing the top and an end and one side of my new storage cabinet;  
FIG. 2 is a top plan view thereof on an enlarged scale;  
FIG. 3 in elevation of the storage cabinet on an enlarged scale and showing one of the two identical sides;  
FIG. 4 is an end elevational view of the cabinet of FIG. 3, the end not shown being a mirror image of the end shown; and  
FIG. 5 is a bottom view thereof.

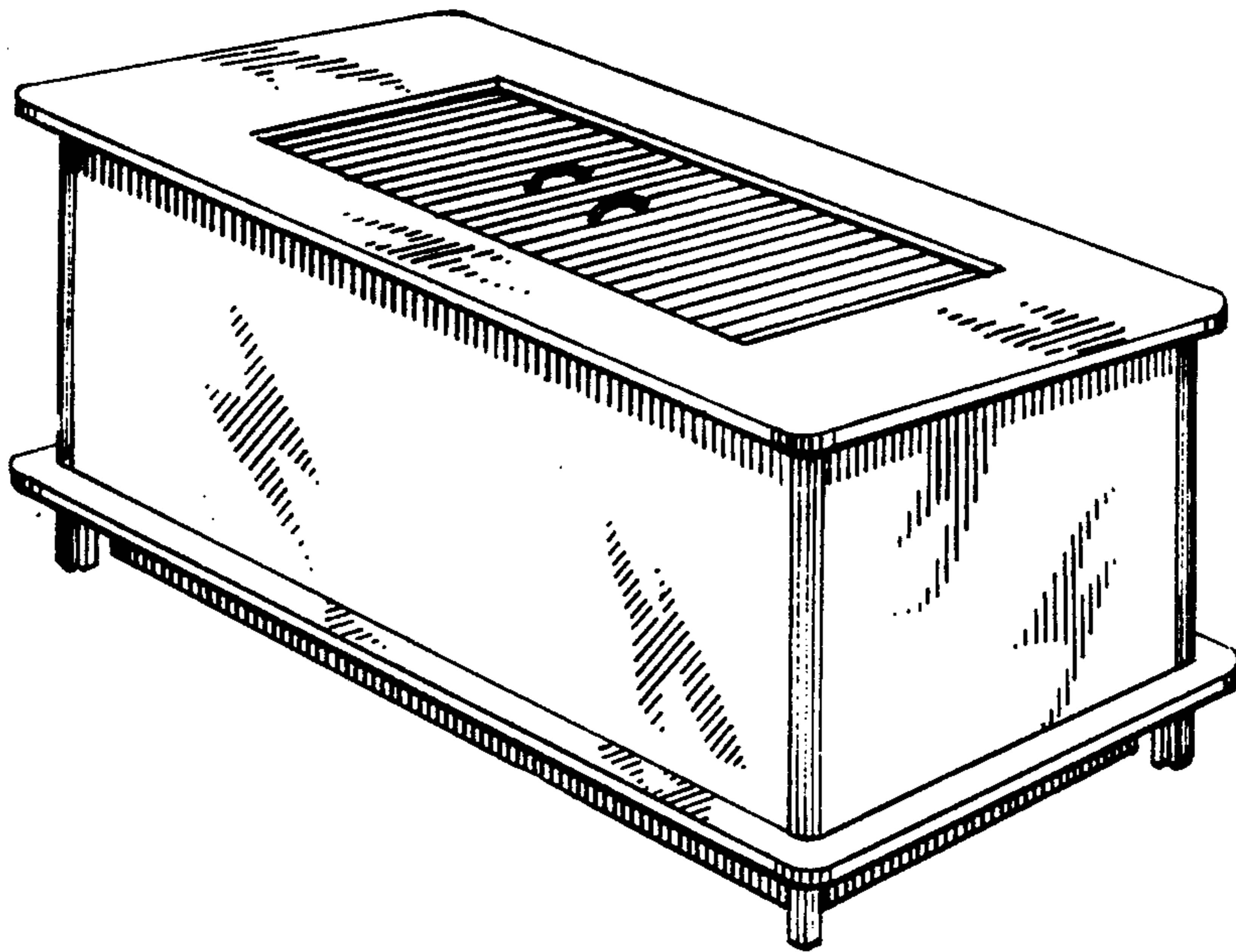


FIG. 1

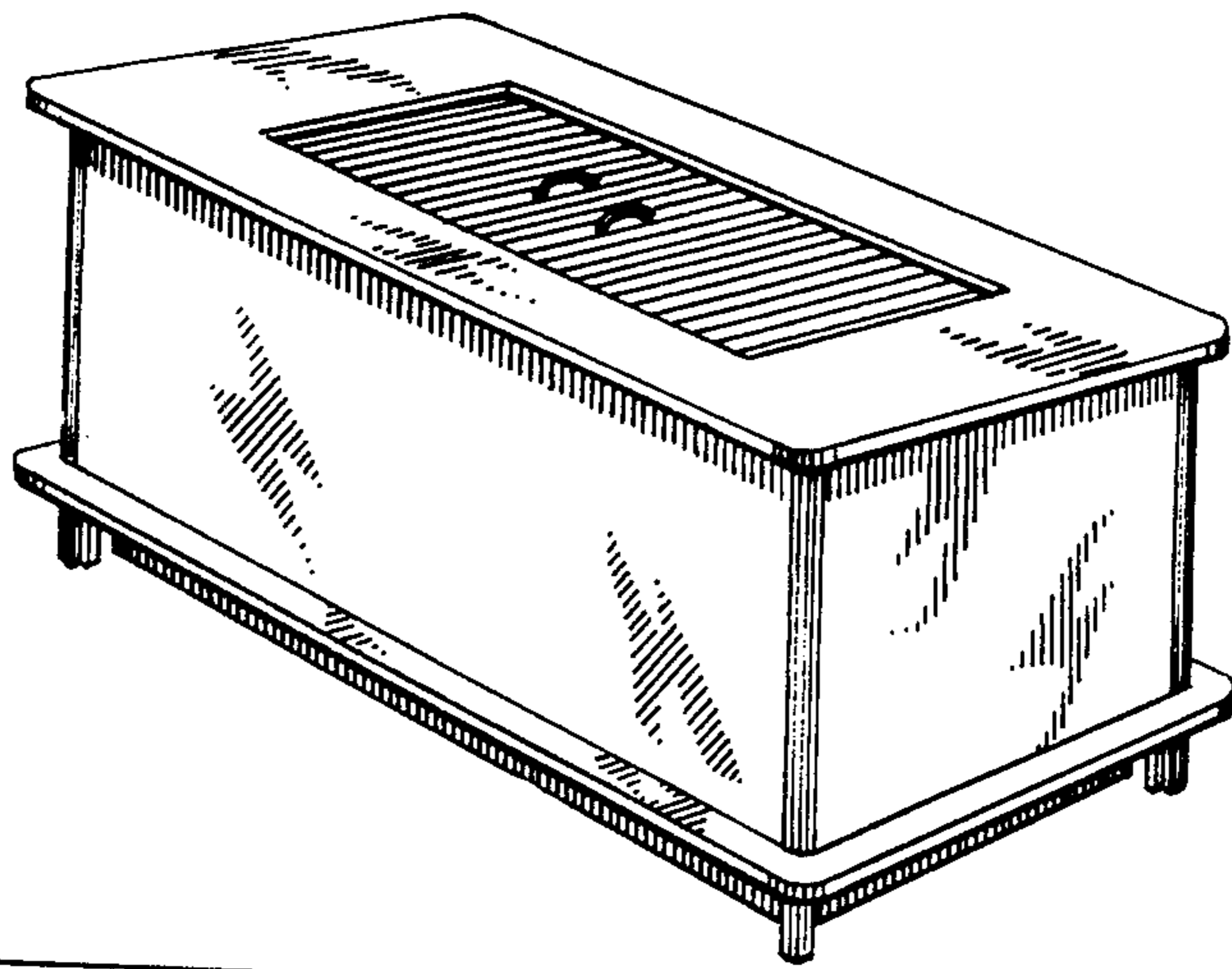


FIG. 2

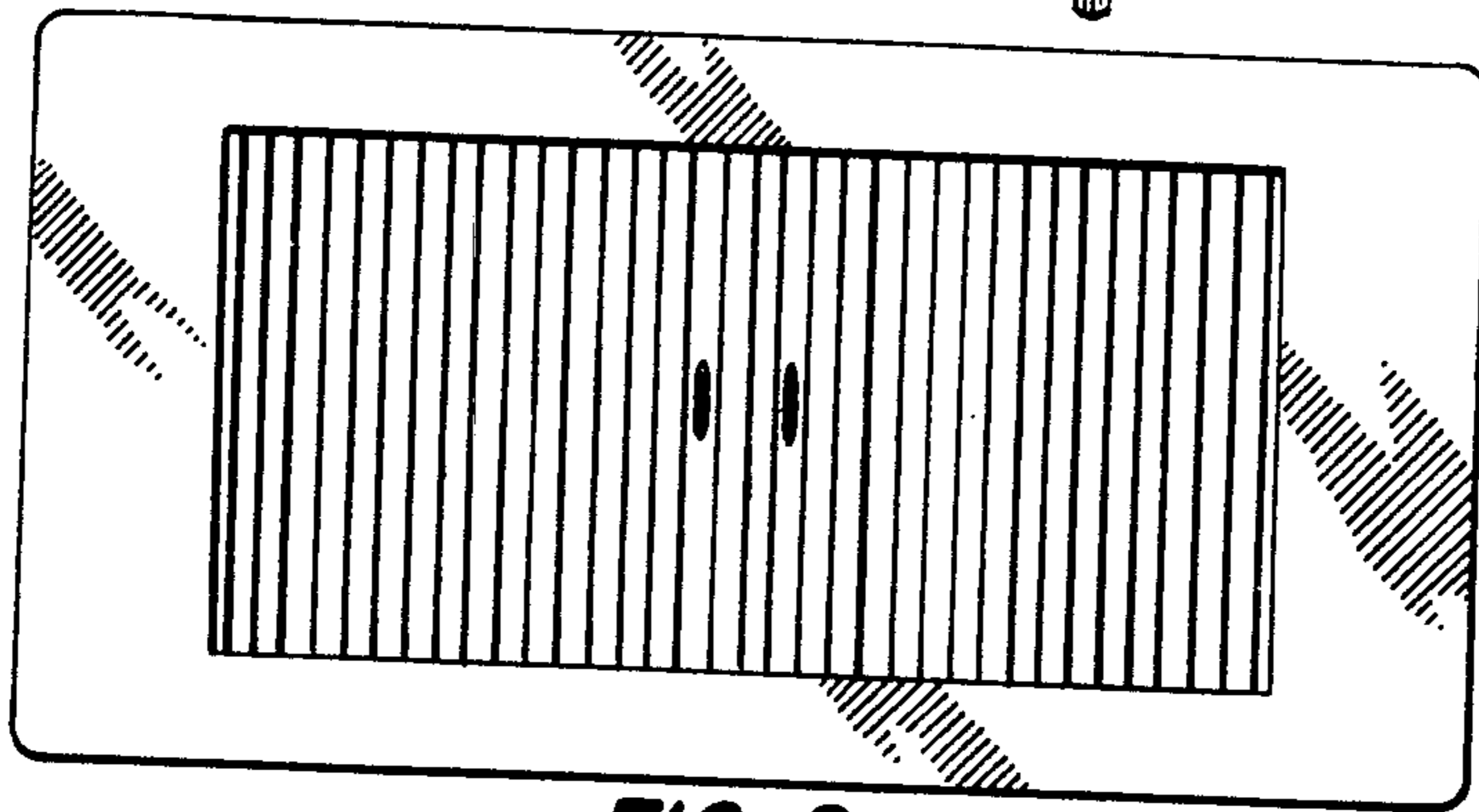


FIG. 3

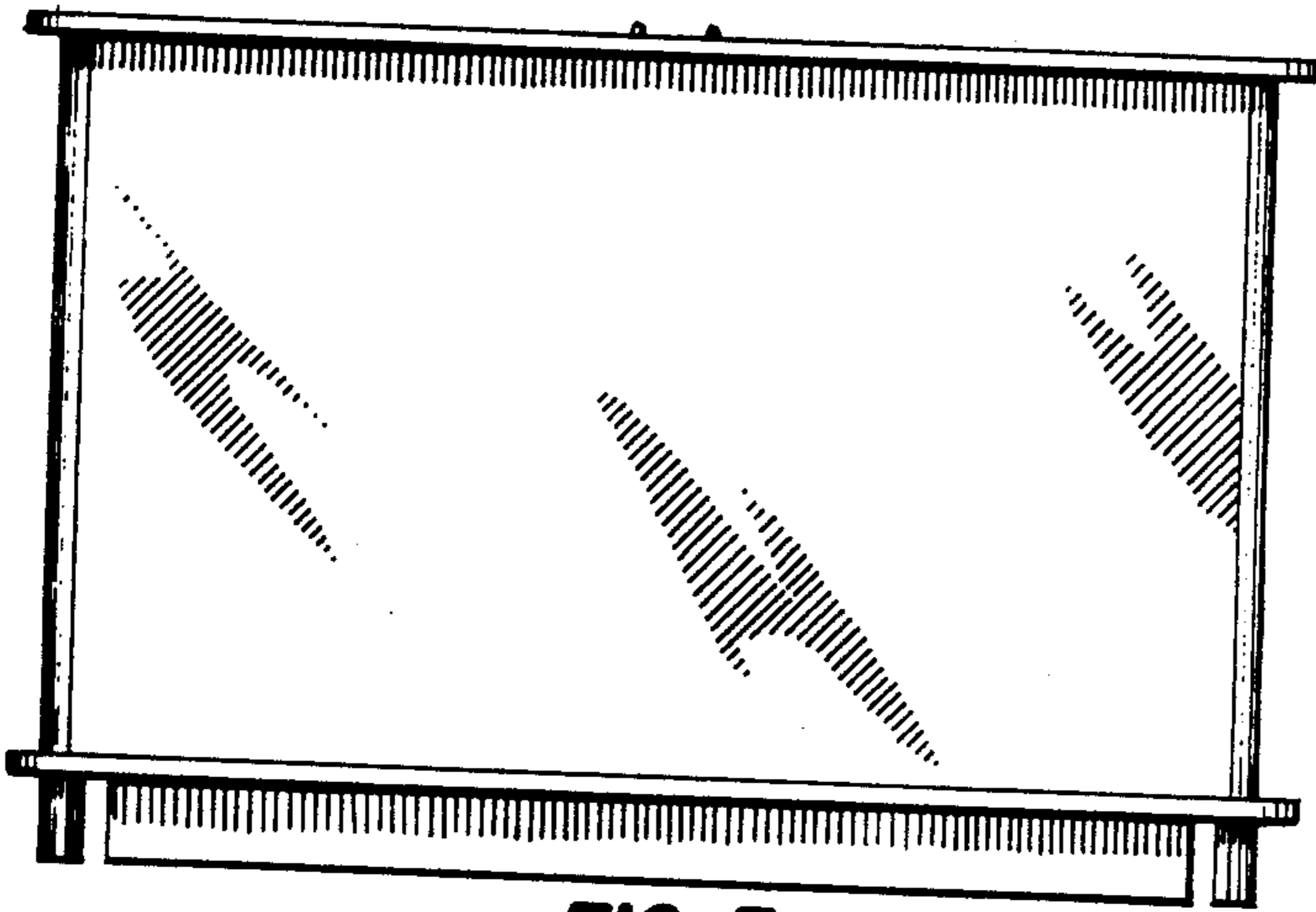


FIG. 4

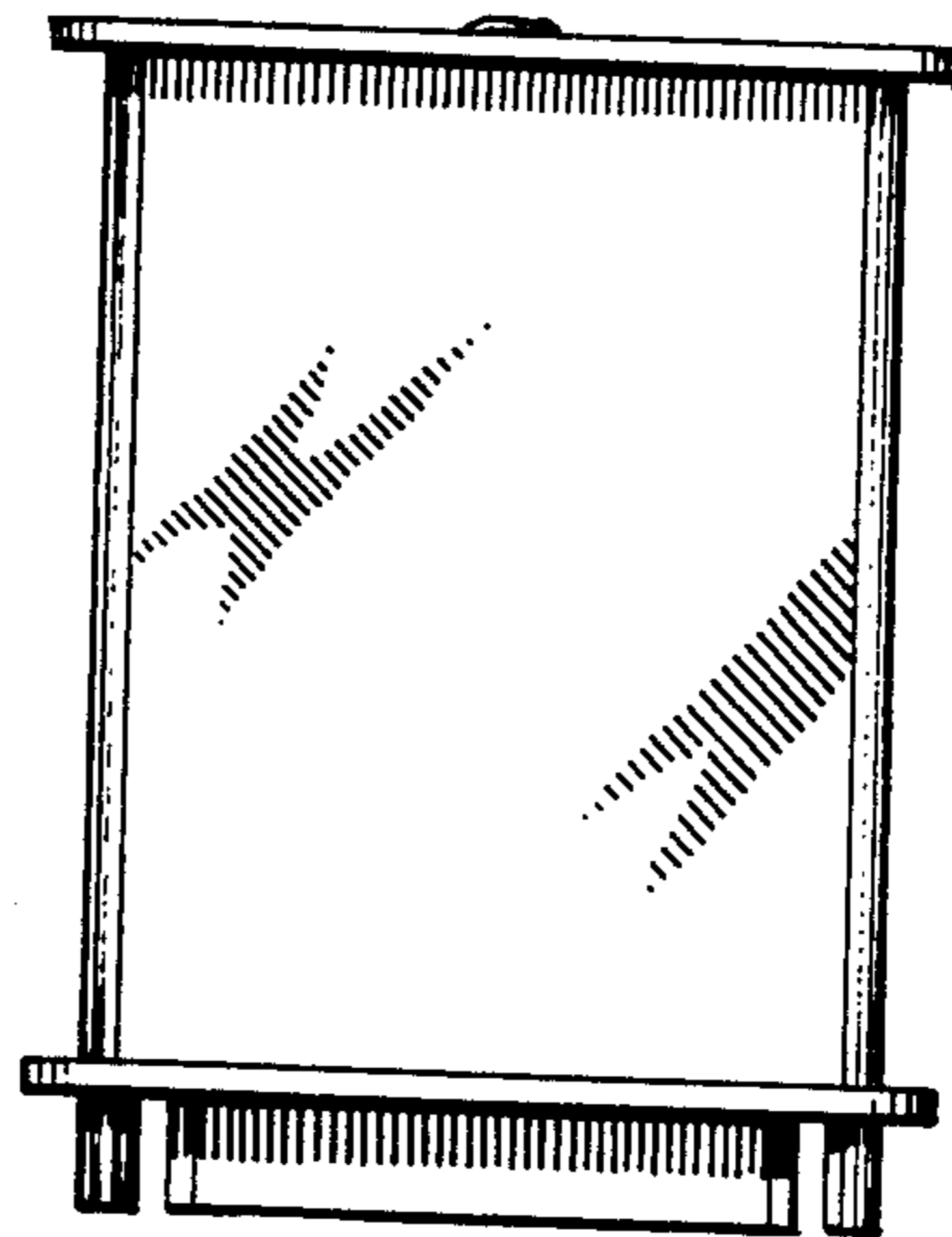


FIG. 5

