

[54] COMBINED AND MULTIPLE CANDLEHOLDER UNIT

[76] Inventor: Alexander P. Morgan, Jr., Constitution Hill, Princeton, N.J. 08540

[\*\*] Term: 14 Years

[21] Appl. No.: 671,208

[22] Filed: Mar. 29, 1976

[51] Int. Cl. .... D6-03

[52] U.S. Cl. .... D6/146; D6/177

[58] Field of Search ..... D6/27, 30, 177, 175, D6/179, 146-149

[56] References Cited

U.S. PATENT DOCUMENTS

D. 233,391 10/1974 Hazelwood ..... D6/177

OTHER PUBLICATIONS

Interiors, 4-1968, p. 178, table top left, by Henry Algan. Design Cat., Oct. 1971, p. 78, chair top center, by Boeri.

Primary Examiner—Bruce W. Dunkins  
Attorney, Agent, or Firm—Omri M. Behr

[57] CLAIM

The ornamental design for a combined table and multiple candleholder unit, as shown.

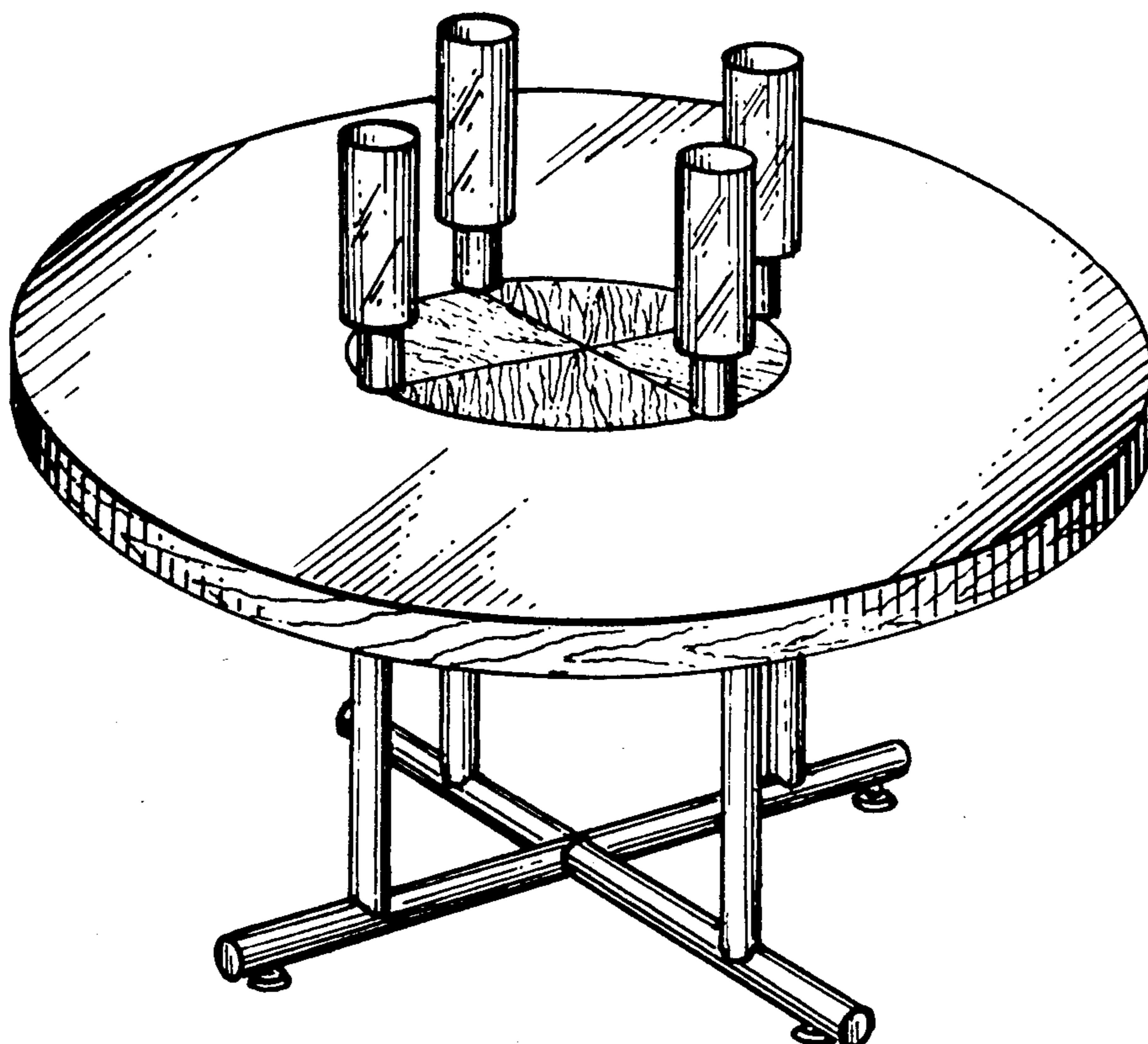
DESCRIPTION

FIG. 1 is a side elevational view of a combined table and multiple candleholder unit embodying my new design,

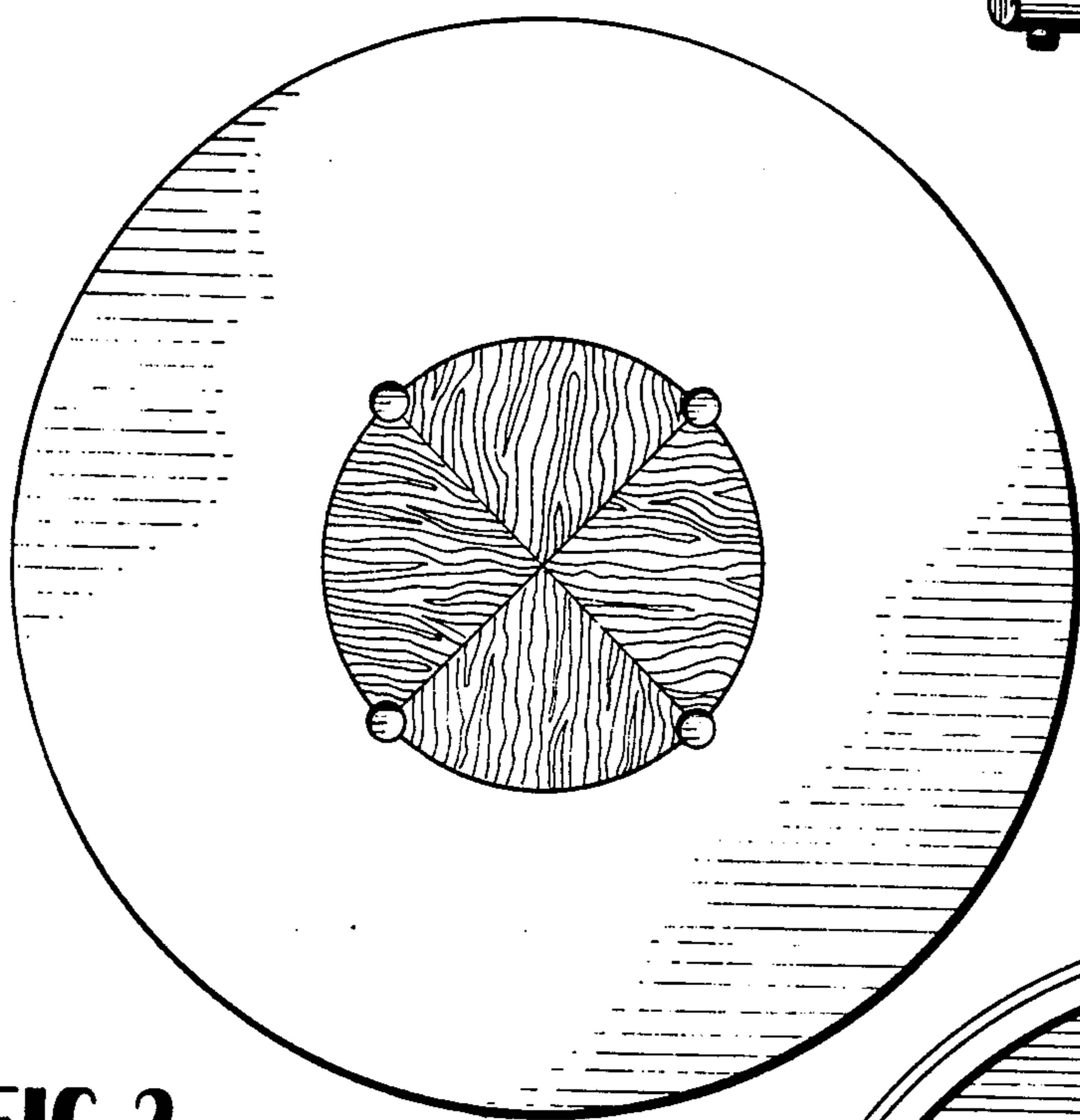
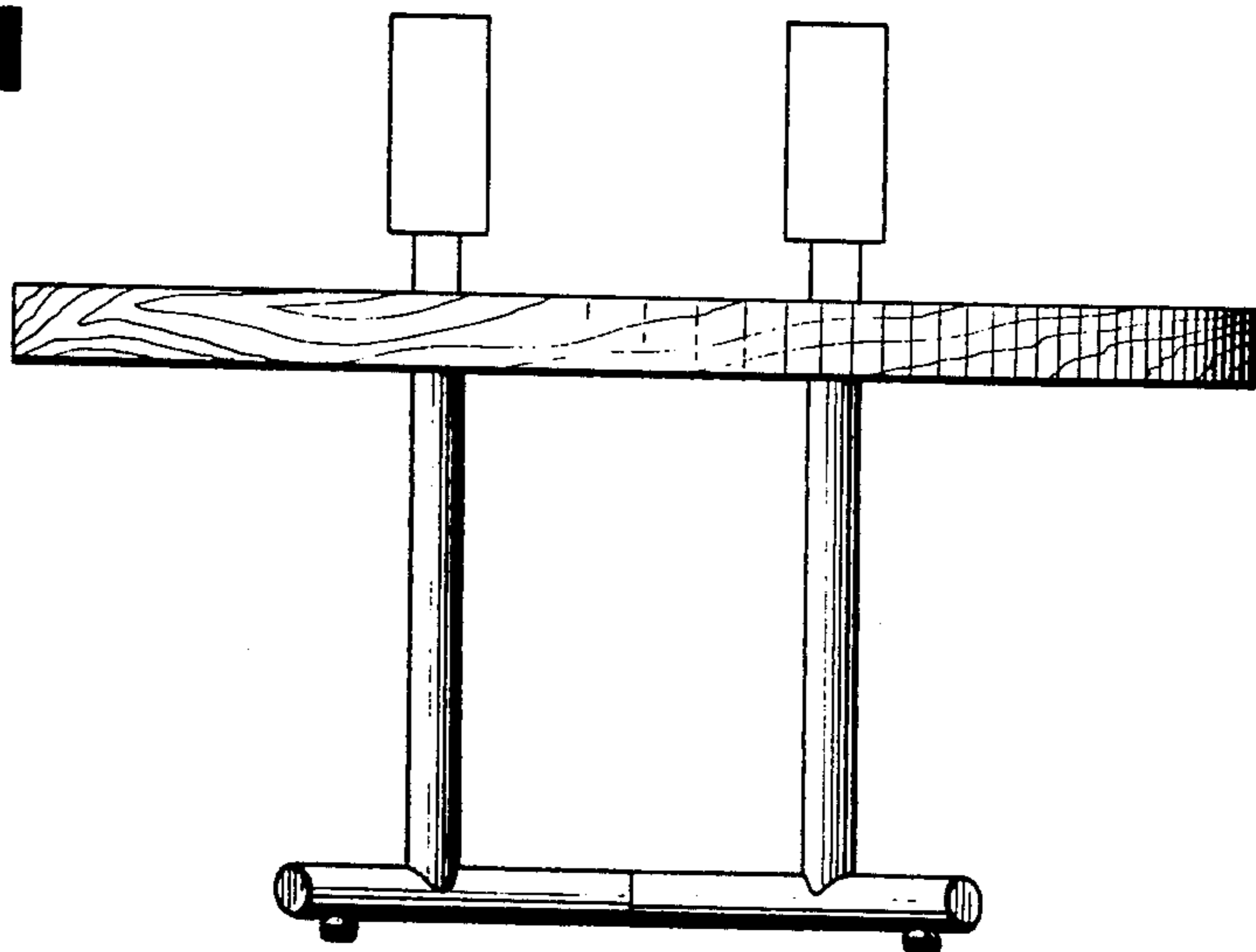
FIG. 2 is a top plan view of the embodiment of FIG. 1 with the candleholders removed so that the features of the surface of the table are more clearly visible.

FIG. 3 is a bottom plan view of the embodiment of FIG. 1.

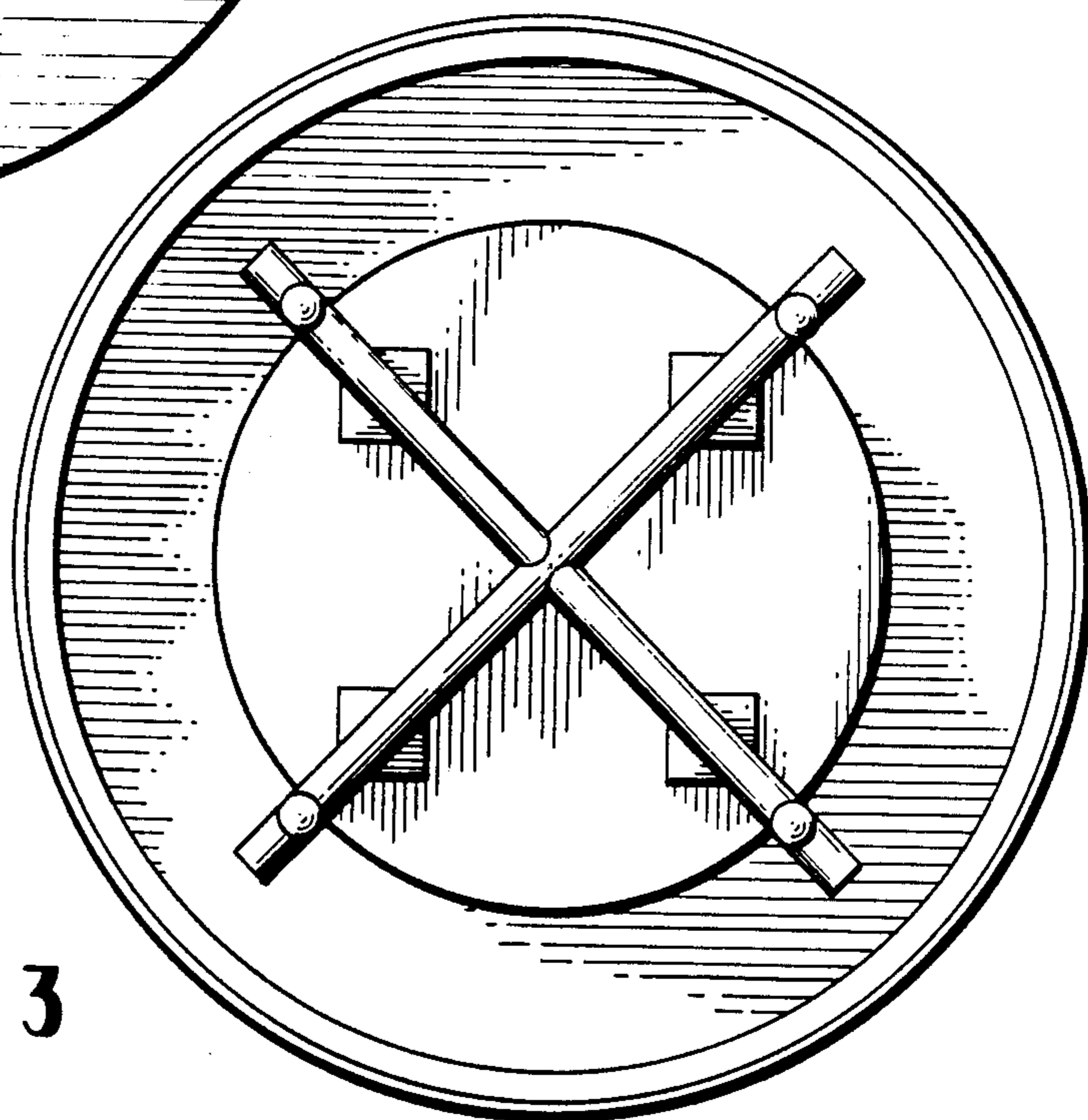
FIG. 4 is a perspective view of the embodiment of FIG. 1.



**FIG 1**



**FIG 2**



**FIG 3**

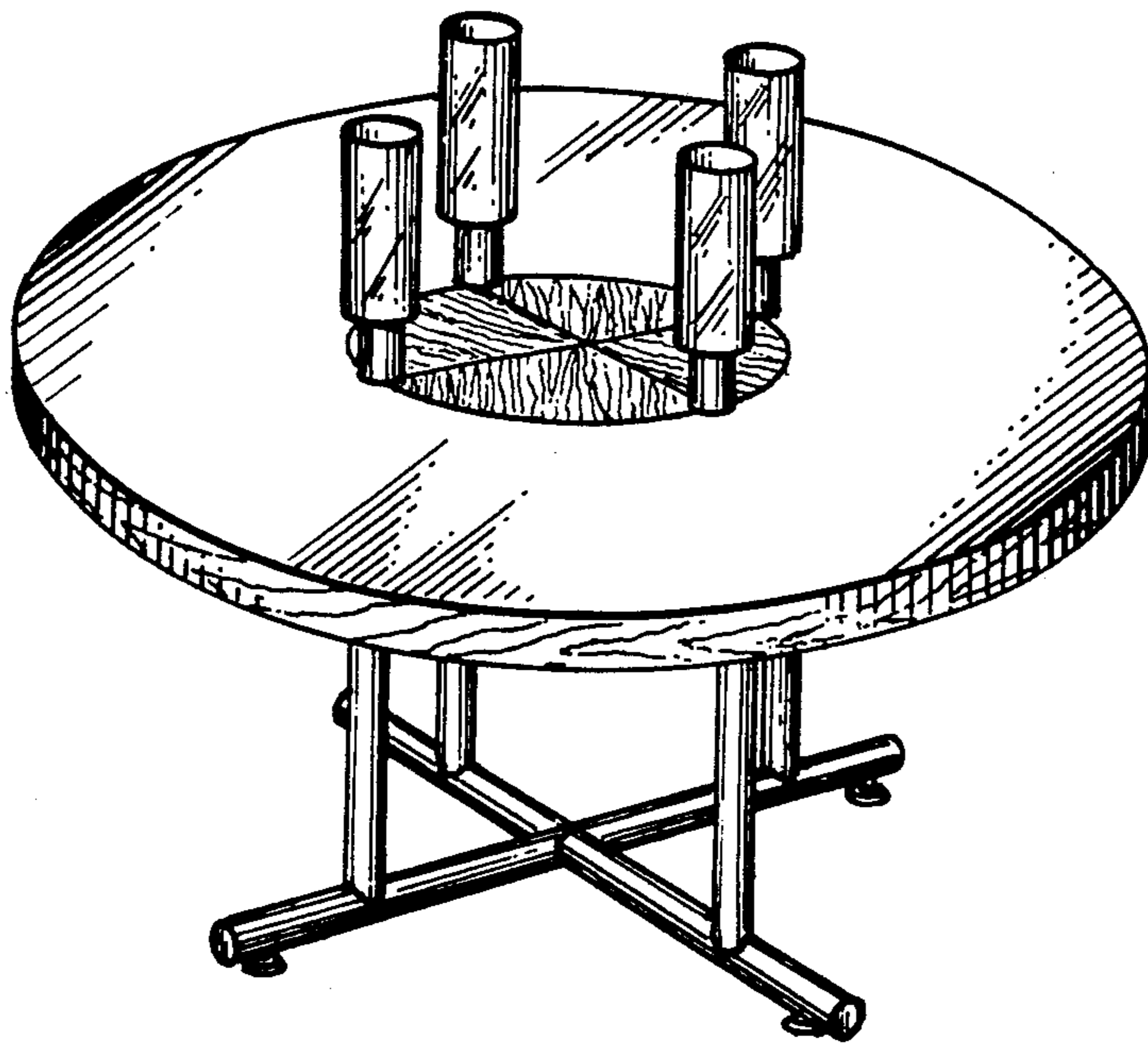


FIG 4