

[54] MANUALLY OPERABLE BALL TOSSING GAME APPARATUS

[76] Inventor: Rex K. Brown, 1611 Fallen Leaf La., Los Altos, Calif. 94022

[**] Term: 7 Years

[21] Appl. No.: 751,315

[22] Filed: Dec. 17, 1976

[51] Int. Cl. D21-01

[52] U.S. Cl. D34/15 PP

[58] Field of Search D34/5 CT, 15 PP; 273/101, 96 R, 95 R

[56] References Cited

U.S. PATENT DOCUMENTS

1,174,735 3/1916 Kerr 273/101

FOREIGN PATENT DOCUMENTS

532,082 11/1921 France D34/15 PP

Primary Examiner—Melvin R. Feifer

Attorney, Agent, or Firm—Thomas E. Schatzel

[57] CLAIM

The ornamental design for a manually operable ball tossing game apparatus, as shown and described.

DESCRIPTION

FIG. 1 is a perspective view of a manually operable ball tossing game apparatus showing my new design;

FIG. 2 is a right side elevational view of the article;

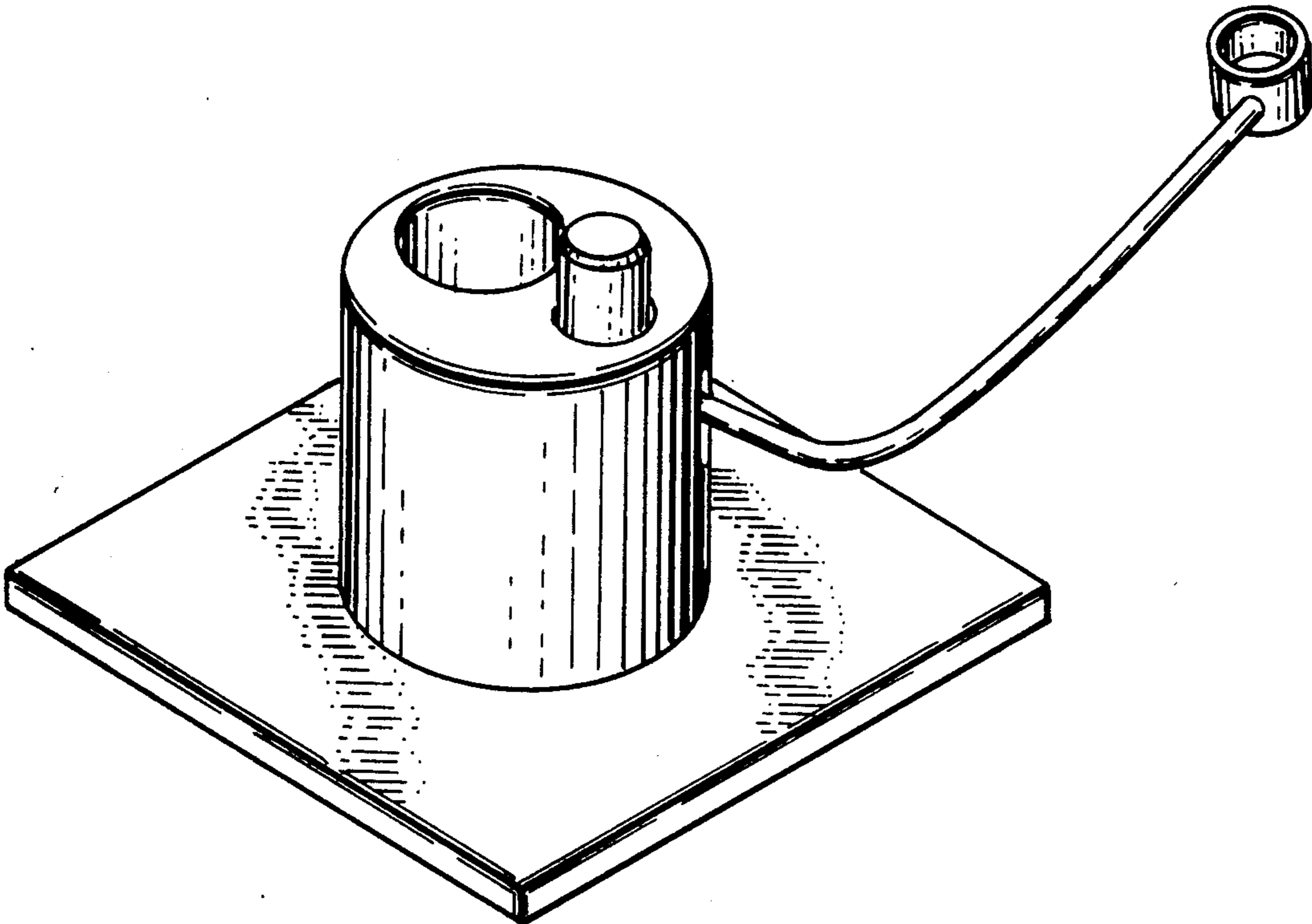
FIG. 3 is a front side elevational view of the article;

FIG. 4 is a left side elevational view of the article;

FIG. 5 is a rear side elevational view of the article; and

FIG. 6 is a top view of the article.

The broken line showing of a ball is for illustrative purposes only.



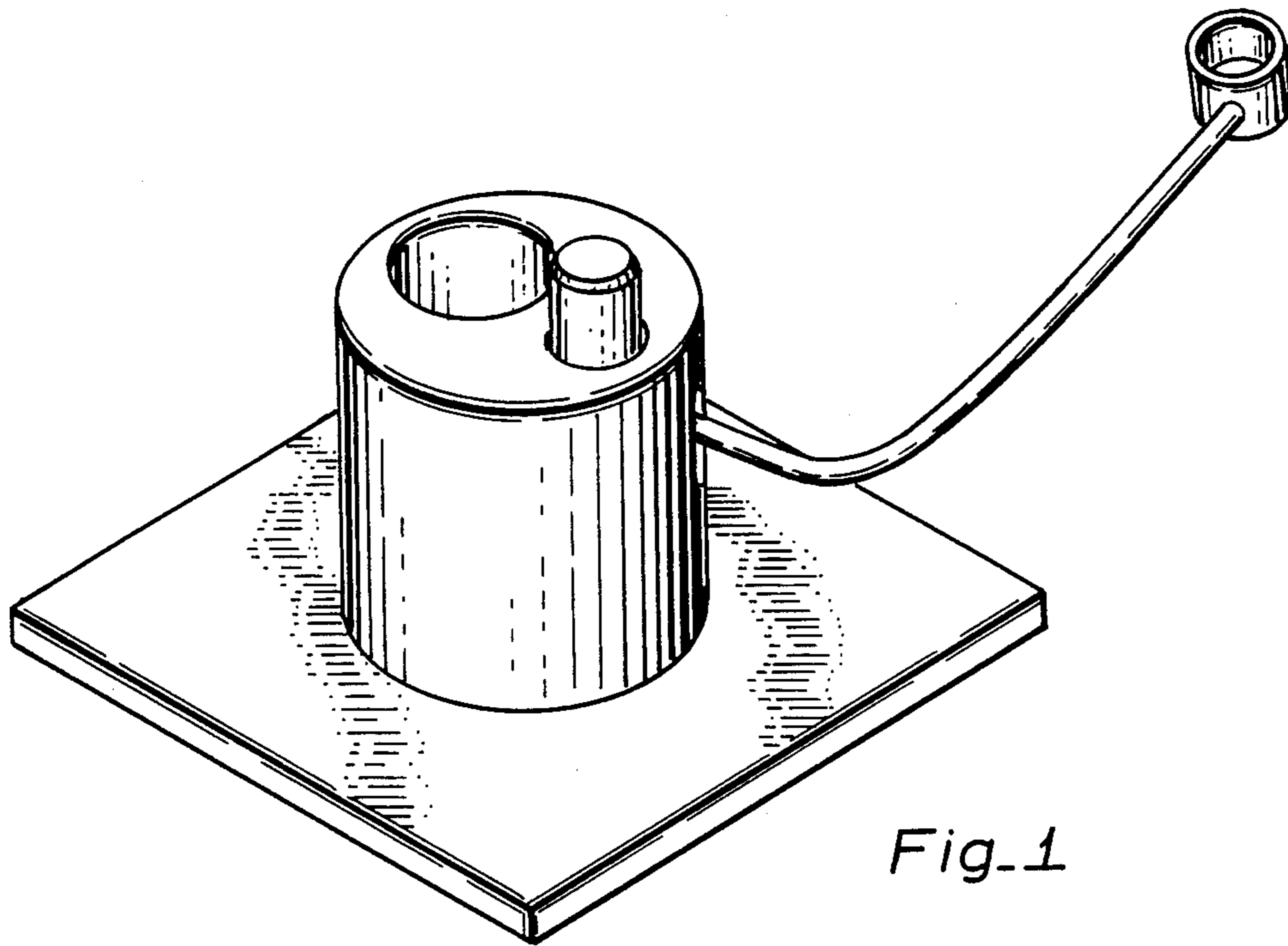


Fig-1

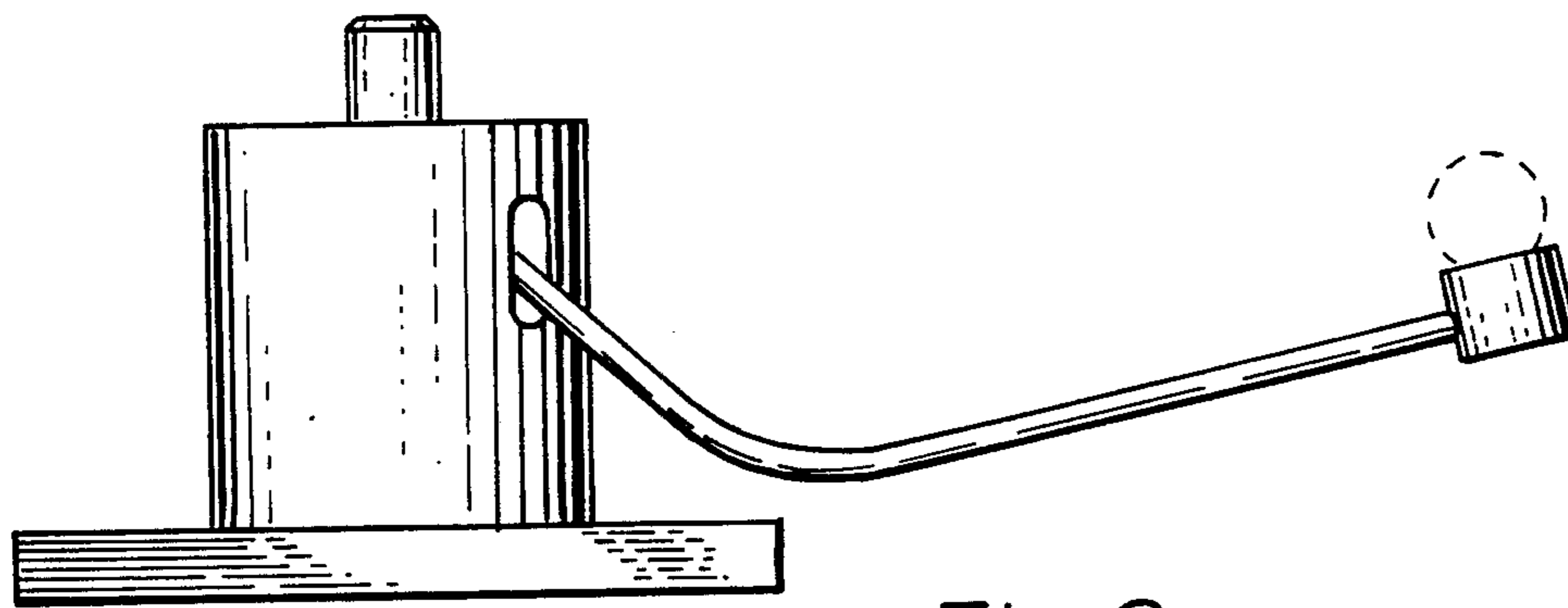


Fig-2

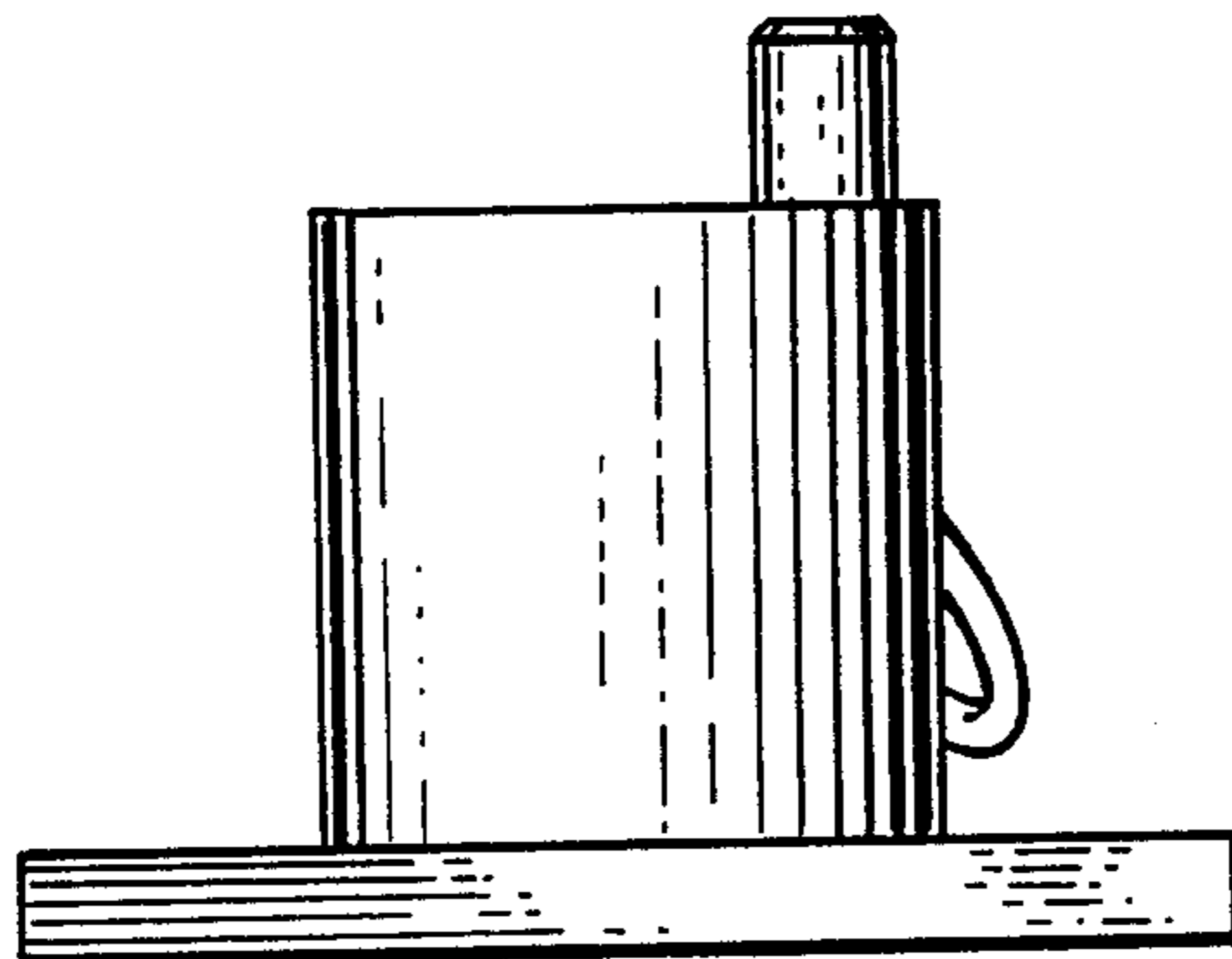


Fig-3

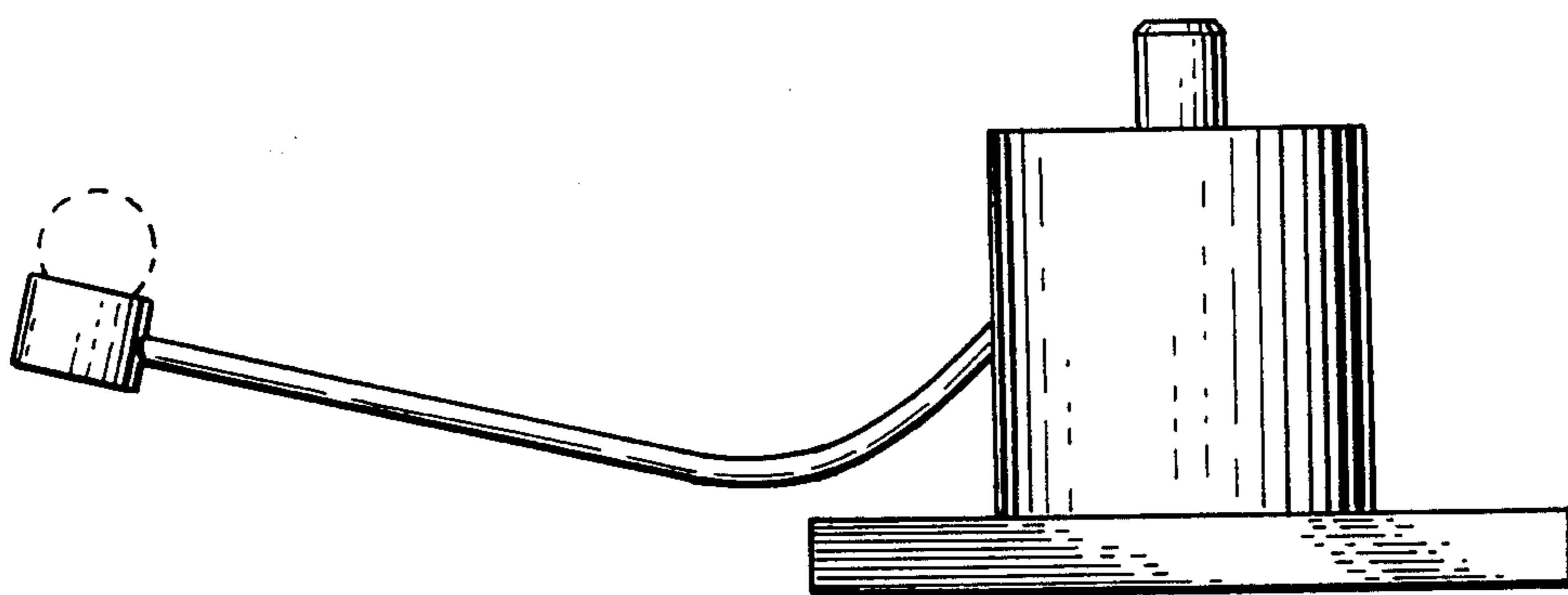


Fig. 4

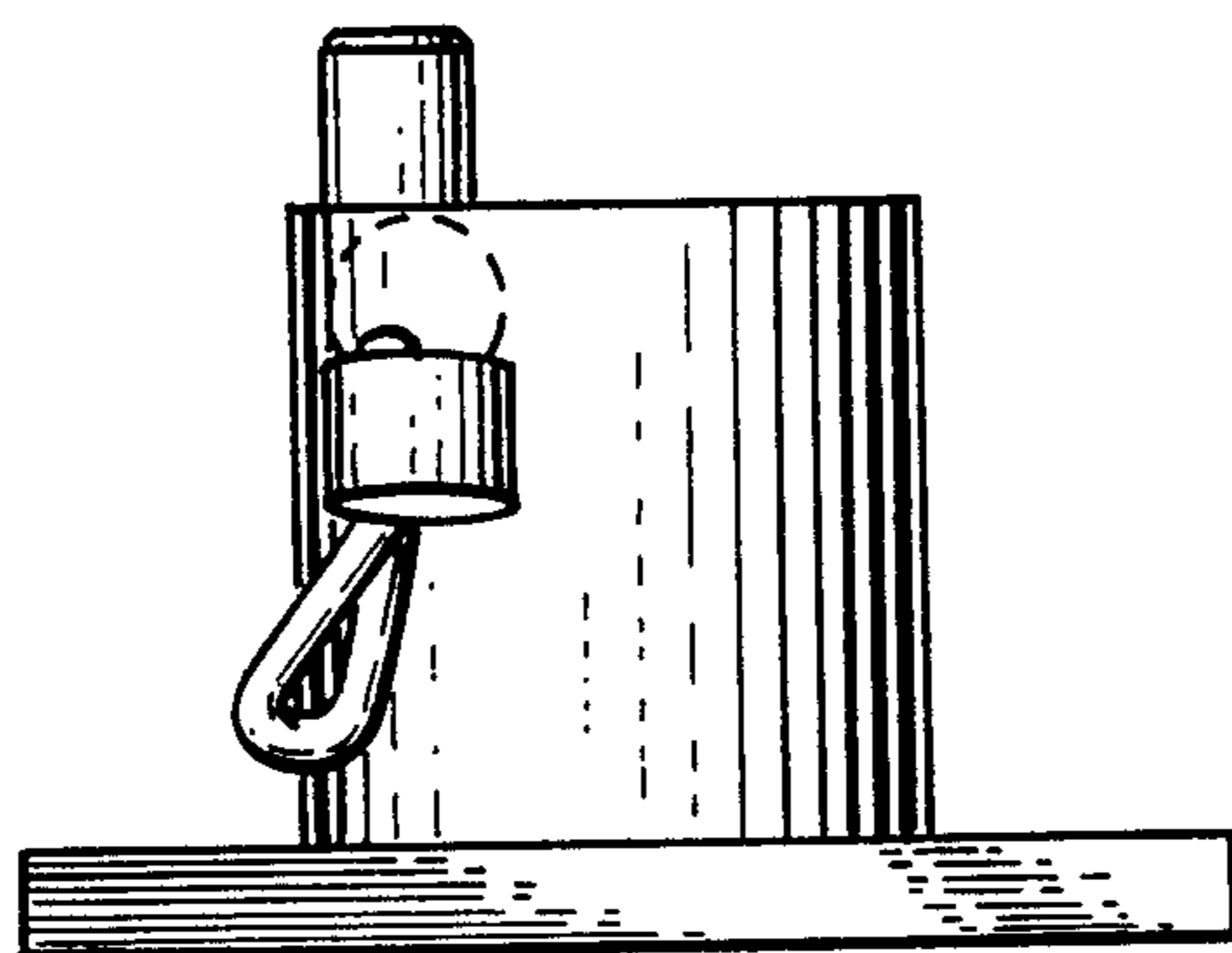


Fig. 5

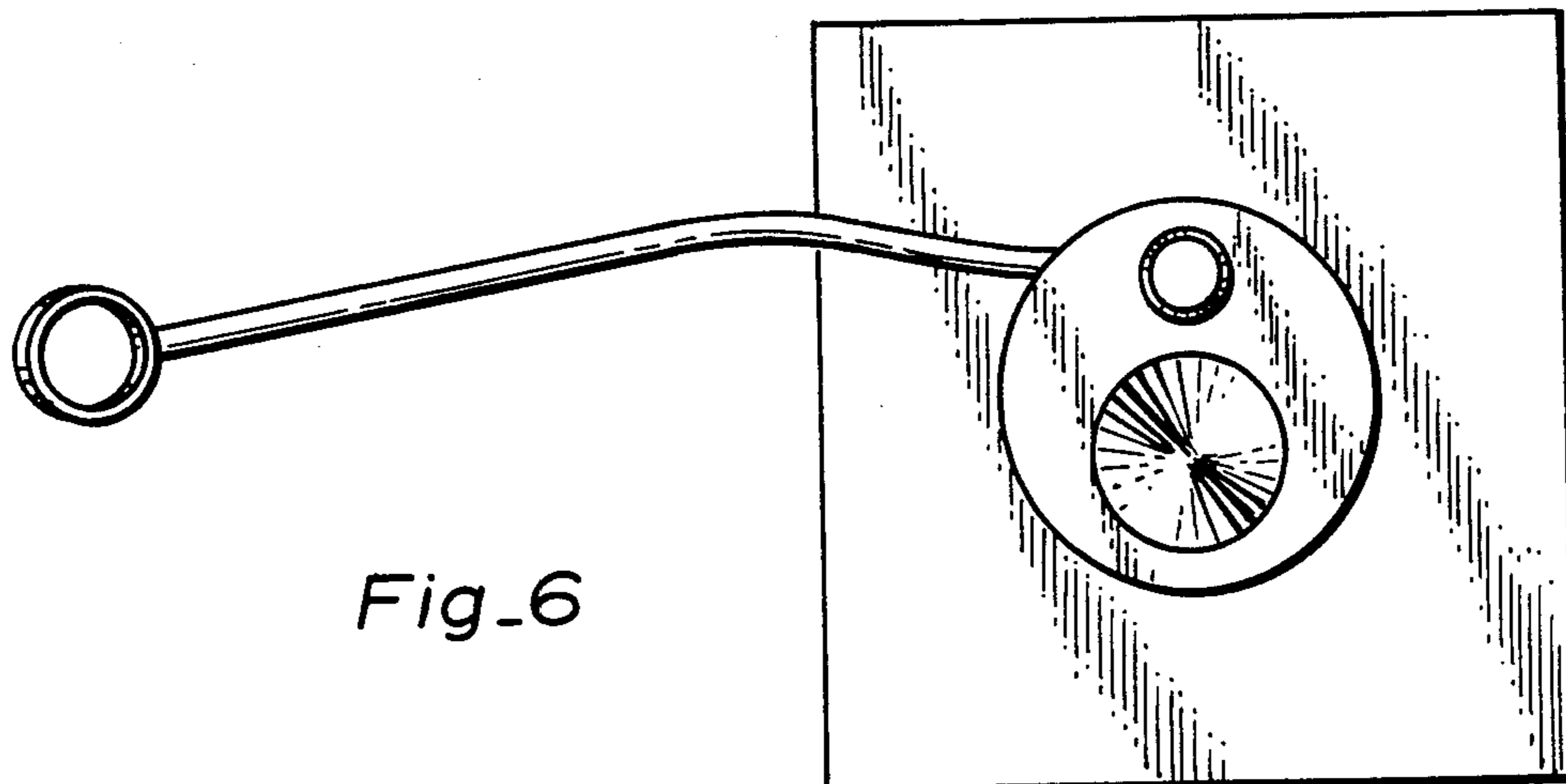


Fig. 6