

# United States Patent [19]

Waski

[11] **Des. 248,680**

[45] **\*\* Jul. 25, 1978**

[54] **MARBLE DISPENSING GAME APPARATUS**

[75] **Inventor:** Jane Waski, New York, N.Y.

[73] **Assignee:** Janys Designs Limited, New York, N.Y.

[\*\*] **Term:** 14 Years

[21] **Appl. No.:** 751,764

[22] **Filed:** Dec. 16, 1976

[51] **Int. Cl.** ..... D21—01

[52] **U.S. Cl.** ..... D34/5 SS

[58] **Field of Search** ..... D34/5 SS; 273/96 R,  
273/138 R, 120 R, 1 R

[56]

## References Cited

### U.S. PATENT DOCUMENTS

D. 218,529	8/1970	Maeda .....	D34/5 SS
3,973,774	8/1976	Breslow et al. ....	273/95 R
4,007,933	2/1977	Cooper .....	273/1 R

*Primary Examiner*—Melvin B. Feifer  
*Attorney, Agent, or Firm*—Alex Friedman

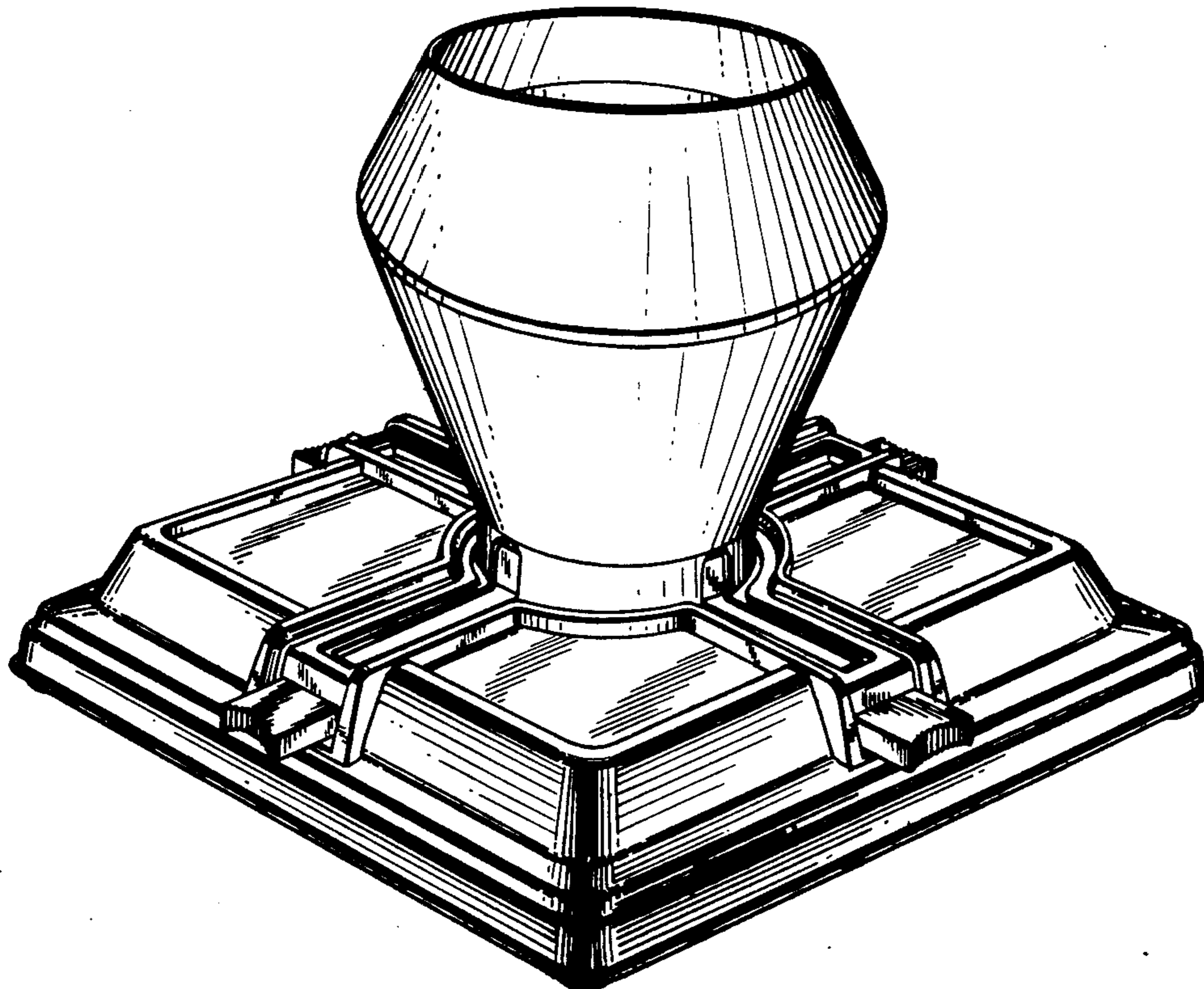
[57]

## CLAIM

The ornamental design for a marble dispensing game apparatus, as shown.

## DESCRIPTION

FIG. 1 is a perspective view of a marble dispensing game apparatus embodying my novel design; FIG. 2 is a top plan view thereof; and FIG. 3 is a side elevational view thereof.



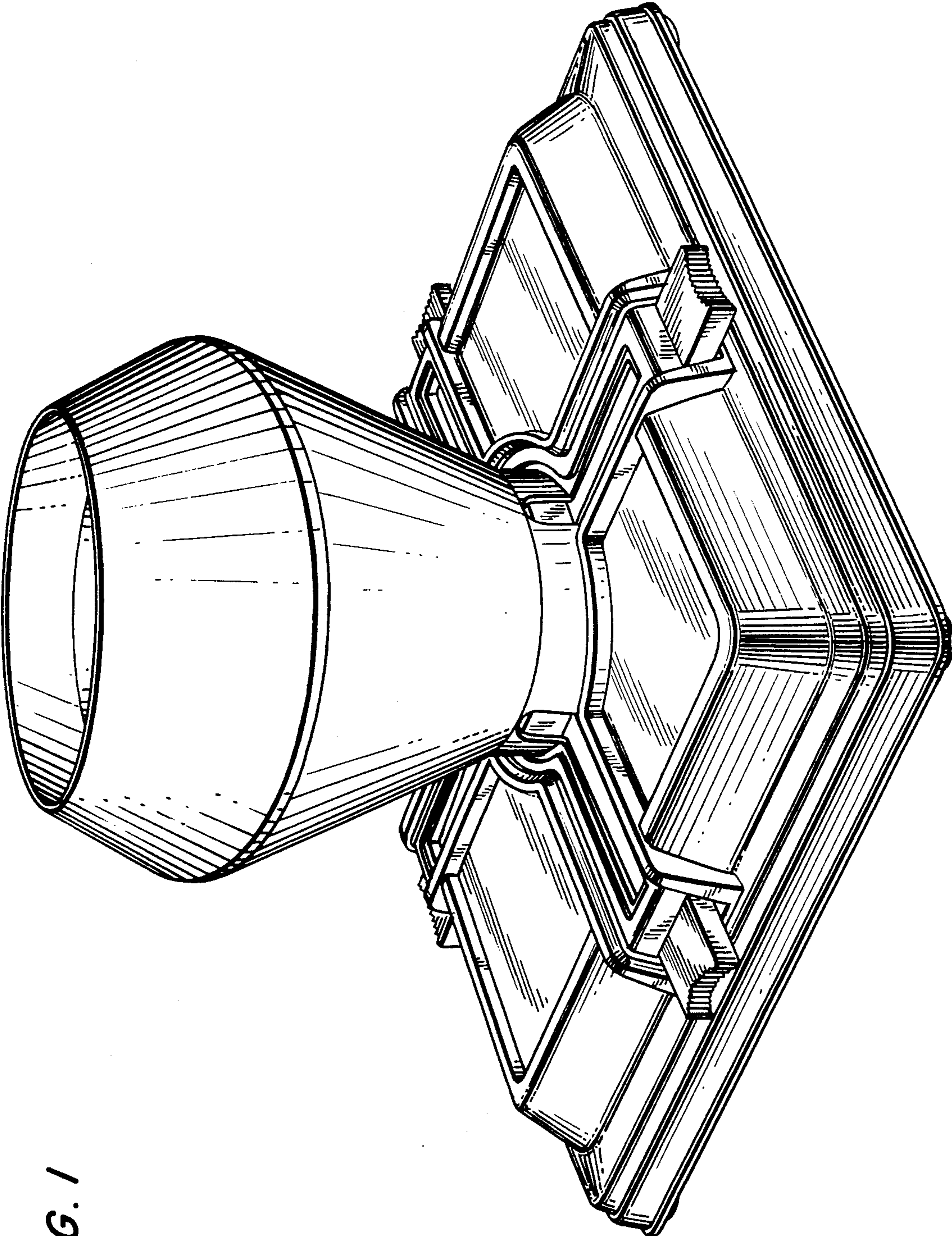


FIG. 1

FIG. 2

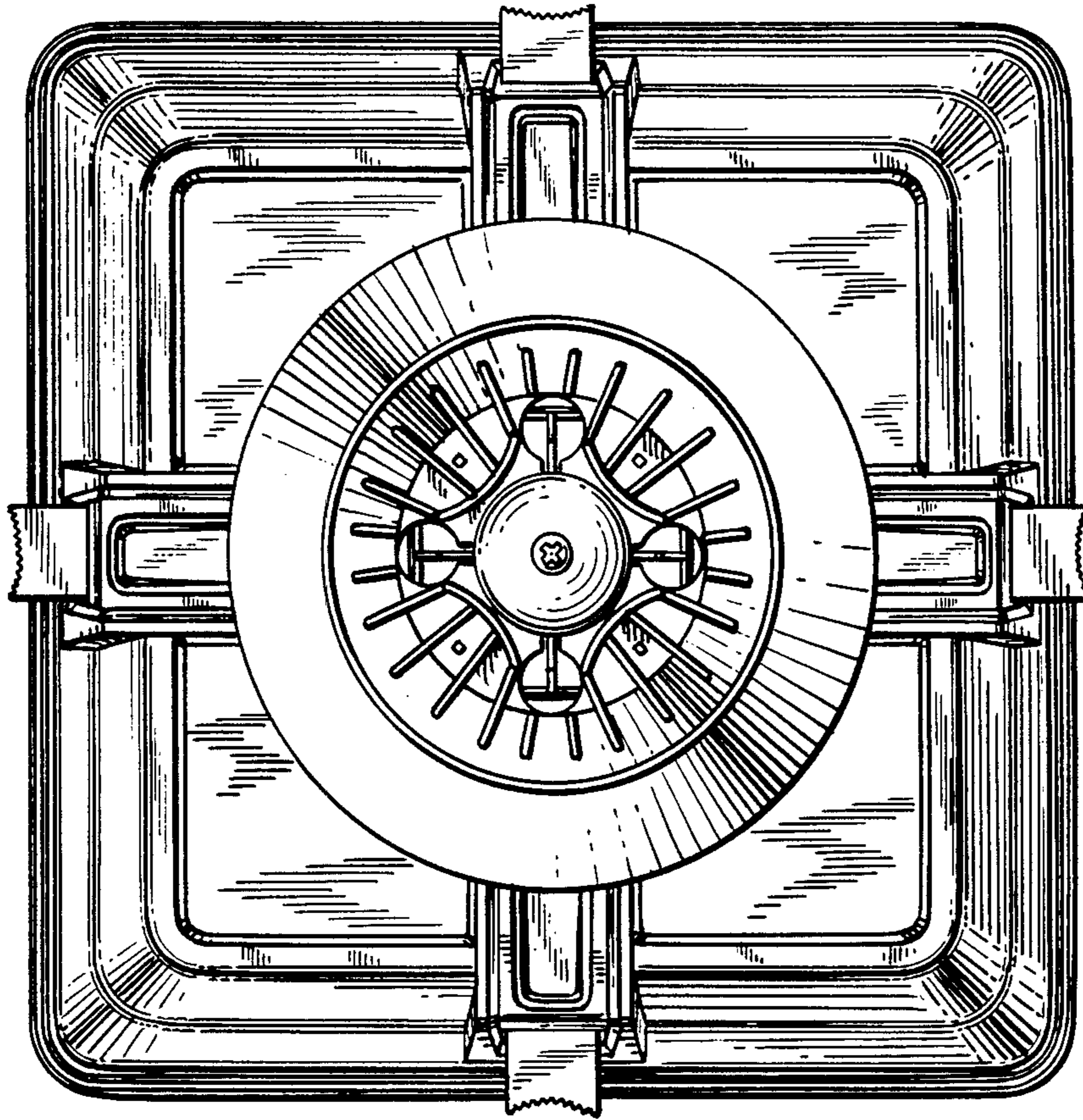


FIG. 3

