

[54] **FILTER ELEMENT FOR A CIGARETTE HOLDER OR THE LIKE**

[76] Inventor: **Leslie N. Aikman**, 3628 Ocean Blvd.,
Corona Del Mar, Calif. 92625

[**] Term: **14 Years**

[21] Appl. No.: **730,539**

[22] Filed: **Oct. 7, 1976**

[51] Int. Cl. **D27-02**

[52] U.S. Cl. **D27/7**

[58] Field of Search **D23/1-4;**
D27/1, 2, 7; 131/187

[56] **References Cited**

U.S. PATENT DOCUMENTS

D. 35,722	2/1902	Ebsen	D23/4
D. 111,277	9/1930	Cippico	D27/7
D. 116,209	8/1939	Von Kohorn zu Kornegg	D23/4
D. 166,958	6/1952	Florman	D27/7

3,174,487	3/1965	Missler	131/187
3,367,343	2/1968	White et al.	131/187
3,434,480	3/1969	Dailey	131/187
3,468,316	9/1969	Baum et al.	131/187
3,636,960	1/1972	Blount et al.	131/187
3,810,476	5/1974	Thomas	131/187
4,038,994	8/1977	Aikman	131/187

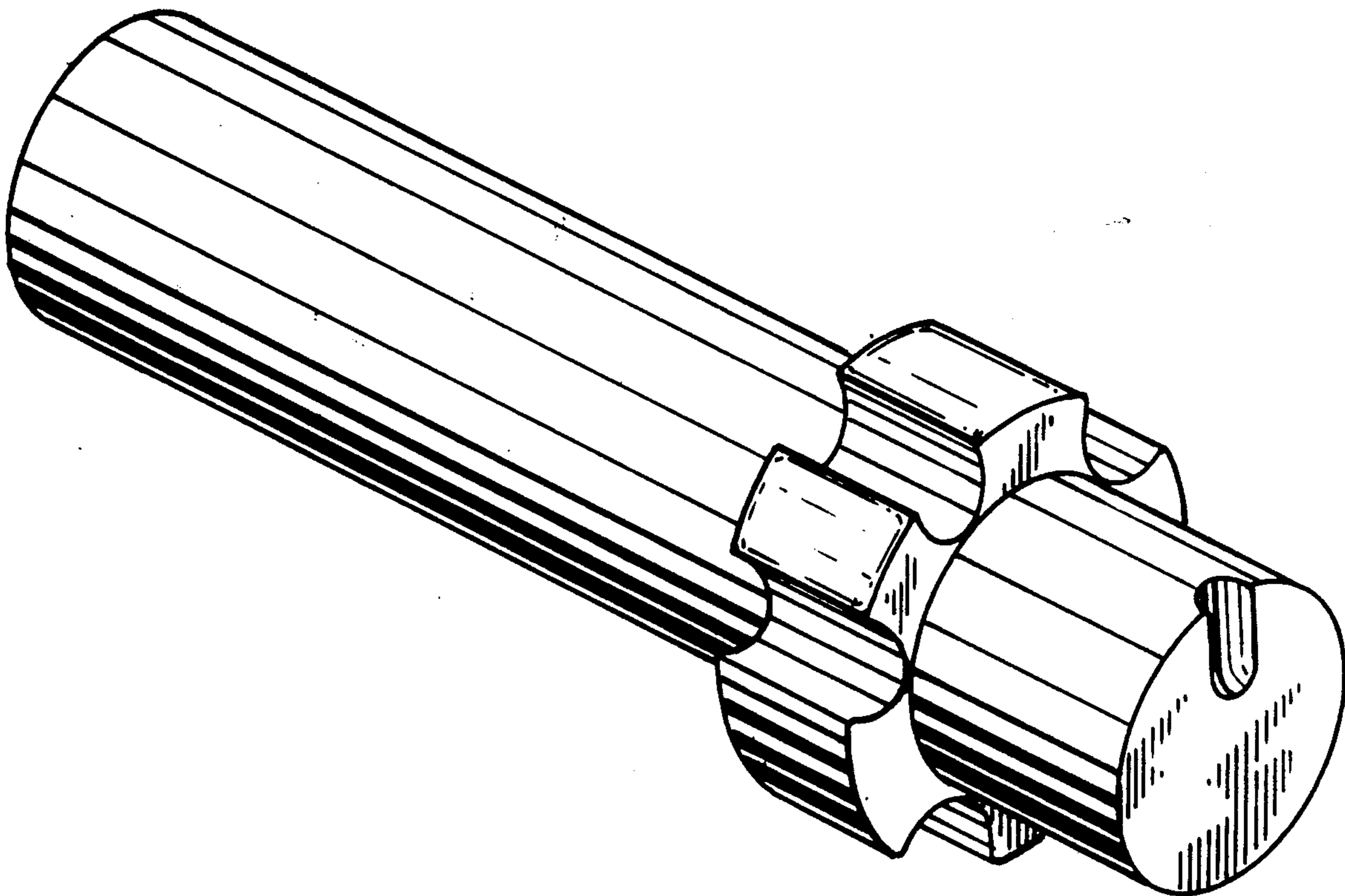
Primary Examiner—James R. Largen
Attorney, Agent, or Firm—Harvey C. Nienow

[57] **CLAIM**

The ornamental design for a filter element for a cigarette holder or the like, as shown and described.

DESCRIPTION

FIG. 1 is a perspective view of a filter element for a cigarette holder or the like showing my new design; FIG. 2 is a rear elevational view thereof; FIG. 3 is a front elevational view thereof; FIG. 4 is a top plan view thereof; and FIG. 5 is a bottom plan view thereof.



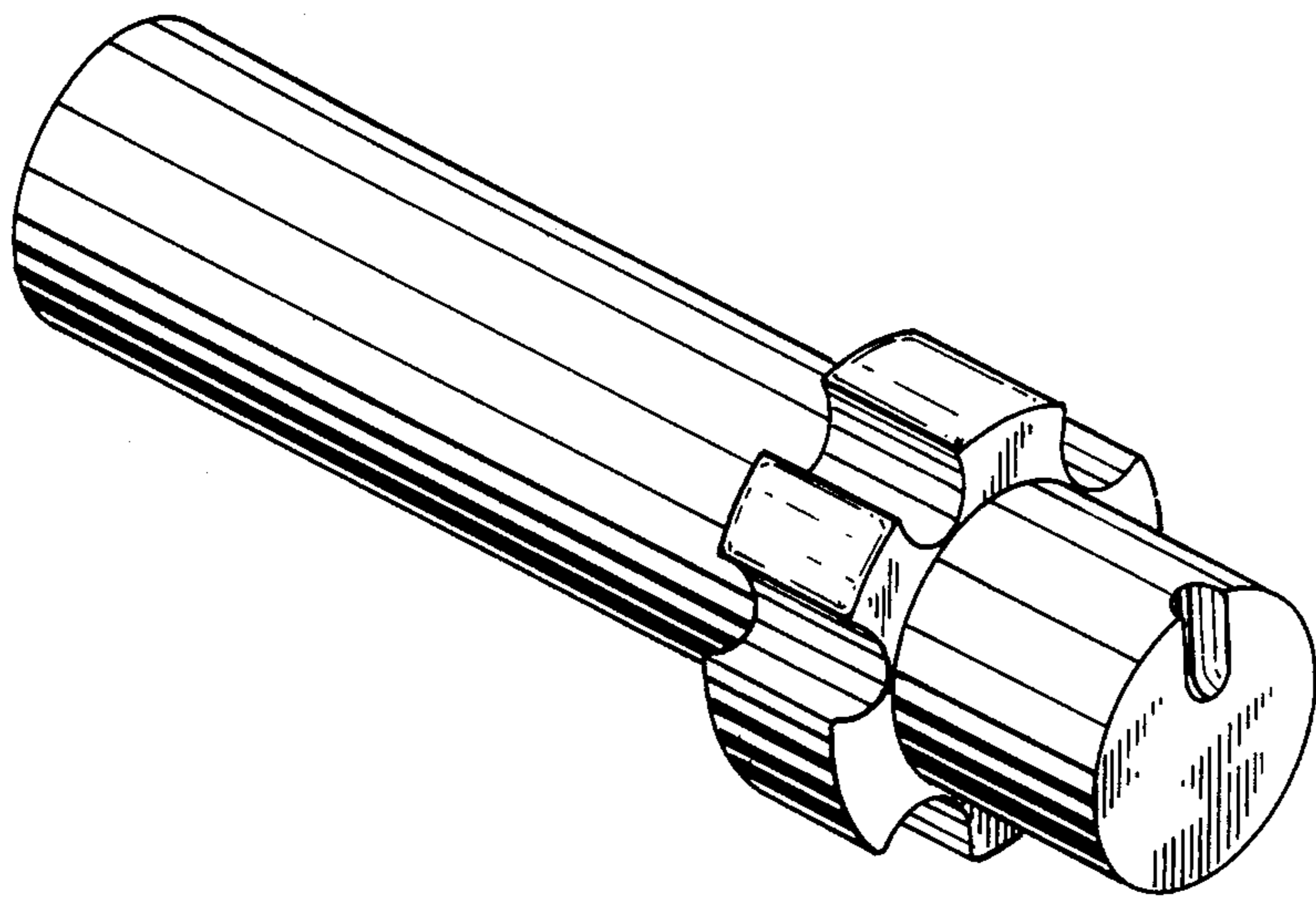


FIG. 1

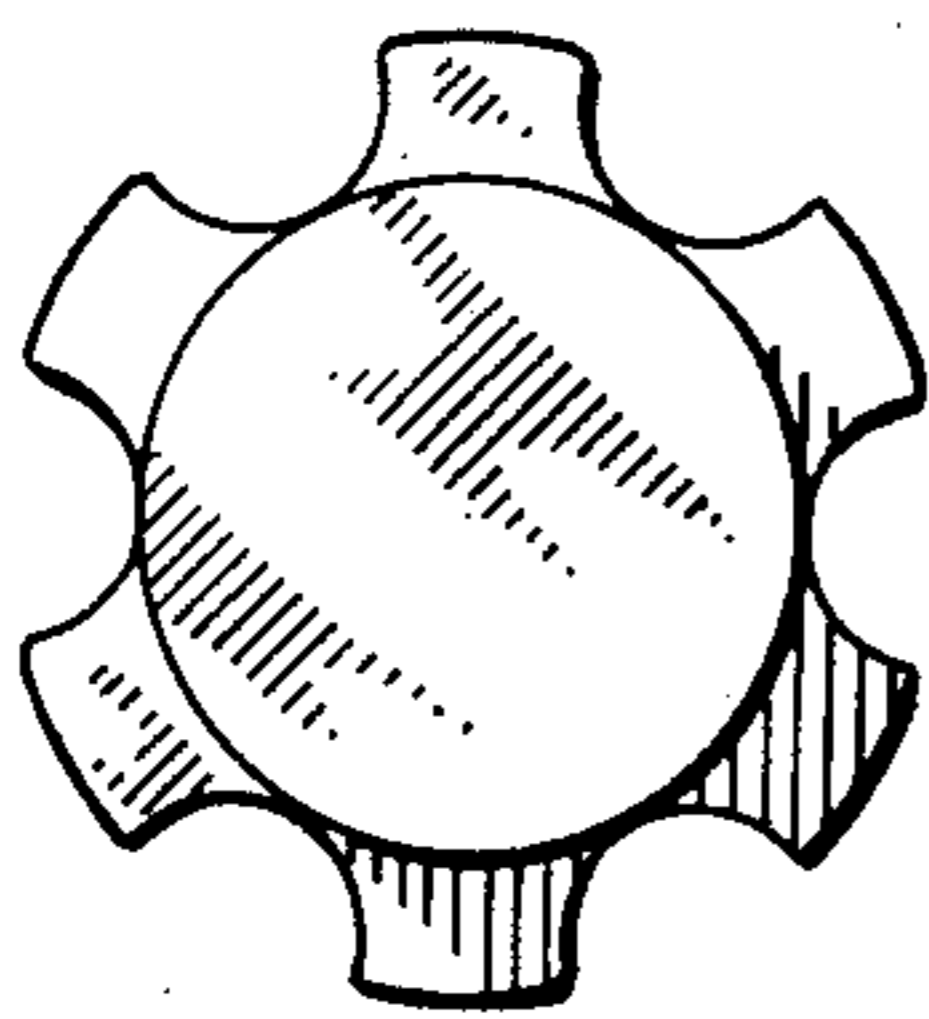


FIG. 2

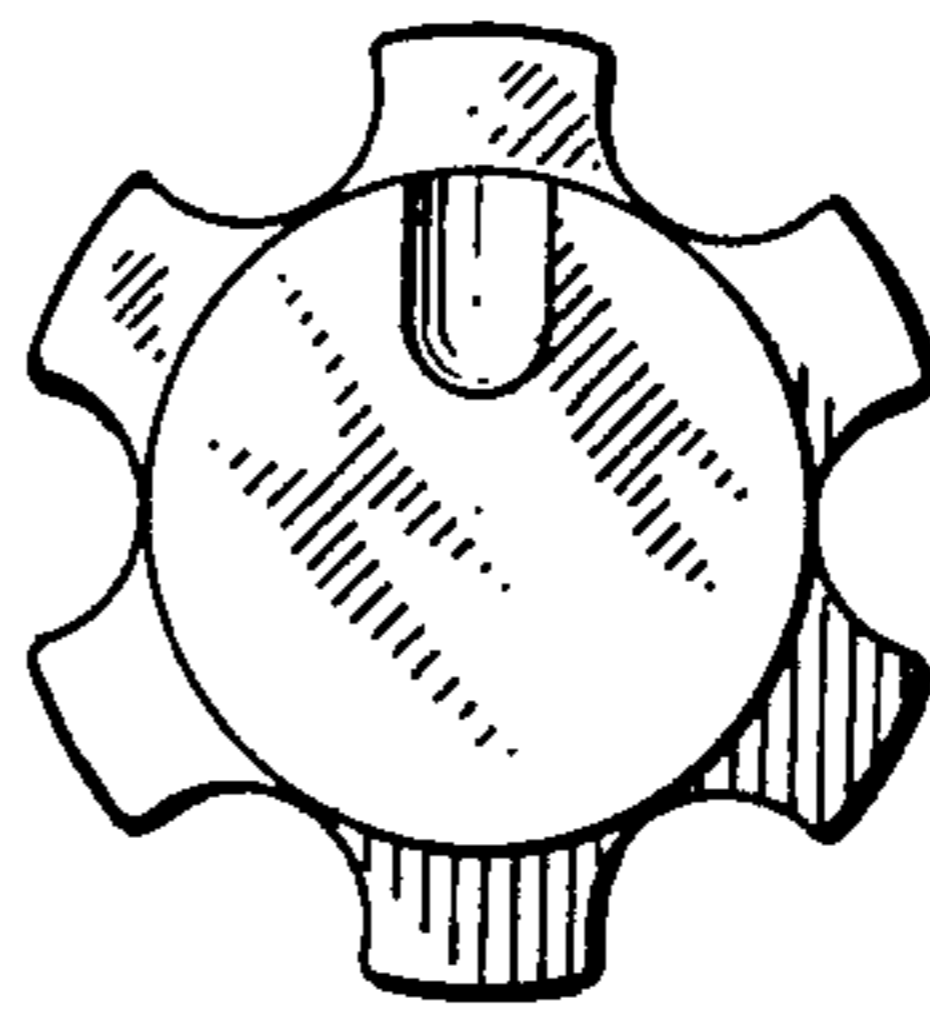


FIG. 3

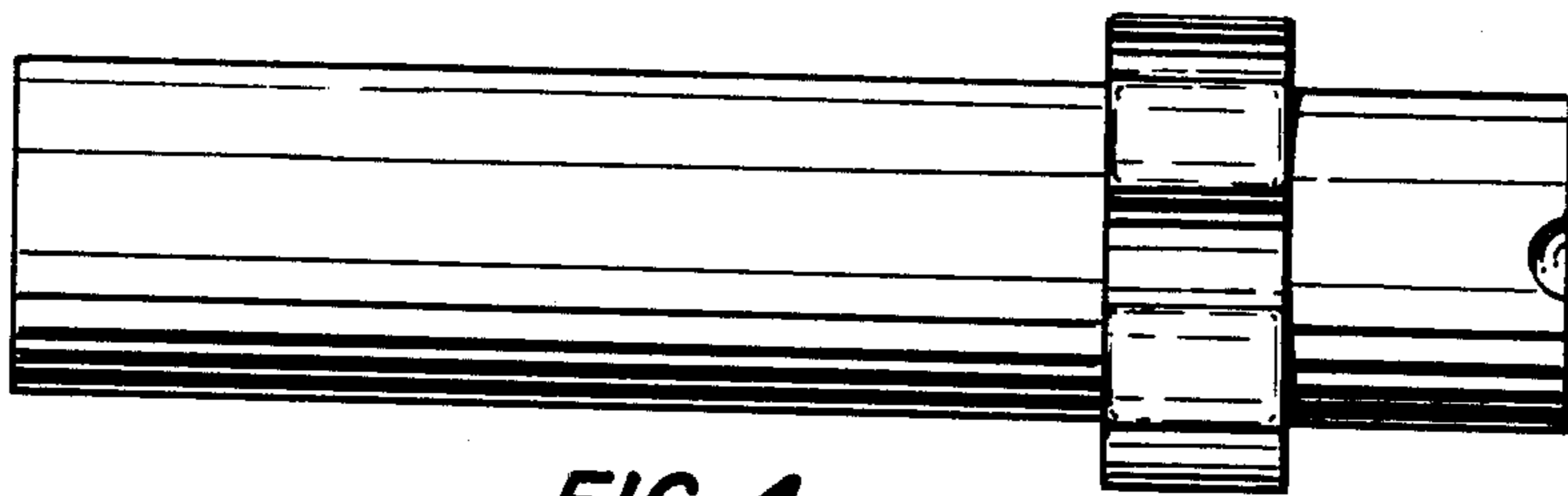


FIG. 4

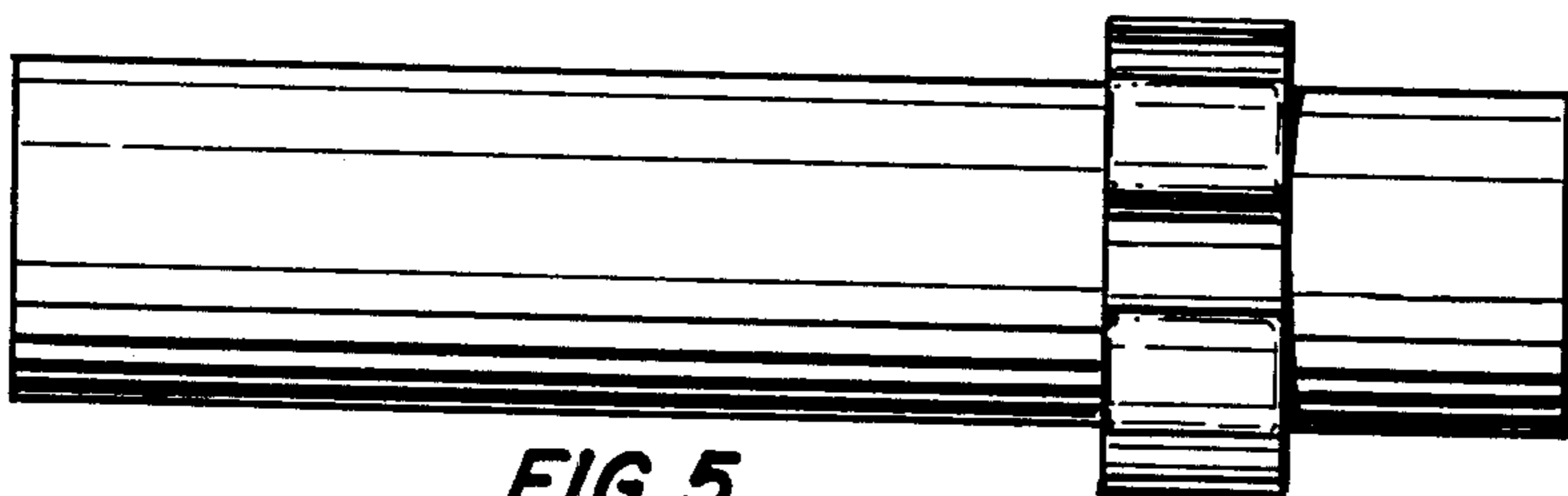


FIG. 5

UNITED STATES PATENT OFFICE
CERTIFICATE OF CORRECTION

Patent No. Des. 248,673 Dated July 25, 1978

Inventor(s) LESLIE N. AIKMAN

It is certified that error appears in the above-identified patent and that said Letters Patent are hereby corrected as shown below:

Attorney, Agent, or Firm - GROVER A. FRATER

Signed and Sealed this

Sixth Day of March 1979

[SEAL]

Attest:

RUTH C. MASON
Attesting Officer

DONALD W. BANNER
Commissioner of Patents and Trademarks