

[54] **ELECTRONIC SOUND CONDITIONING DEVICE**

[75] **Inventor:** Roger Ramsey, Akron, Ohio  
[73] **Assignee:** Marpac Corporation, Wilmington, N.C.

[\*\*] **Term:** 14 Years

[21] **Appl. No.:** 810,021

[22] **Filed:** Jun. 27, 1977

[51] **Int. Cl.** ..... D24-99  
[52] **U.S. Cl.** ..... D24/99  
[58] **Field of Search** ..... 340/227, 261, 405;  
181/155, 153, 156; D24/99; 128/1 C; D10/116,  
106, 109

[56]

**References Cited**

**U.S. PATENT DOCUMENTS**

D. 244,878	6/1977	Brand .....	D24/99
2,969,530	1/1961	Duncan .....	340/261
3,121,220	2/1964	Buckwalter .....	340/405
3,826,333	7/1974	Buckwalter .....	181/155

*Primary Examiner*—Bernard Ansher  
*Attorney, Agent, or Firm*—Eugene C. Knoblock

[57]

**CLAIM**

The ornamental design for an electronic sound conditioning device, as shown.

**DESCRIPTION**

FIG. 1 is a front perspective view of an electronic sound conditioning device, showing my new design; FIG. 2 is a side elevational view of the device; FIG. 3 is a front elevational view of the device; FIG. 4 is a rear elevational view of the device; and FIG. 5 is a top plan view of the device.

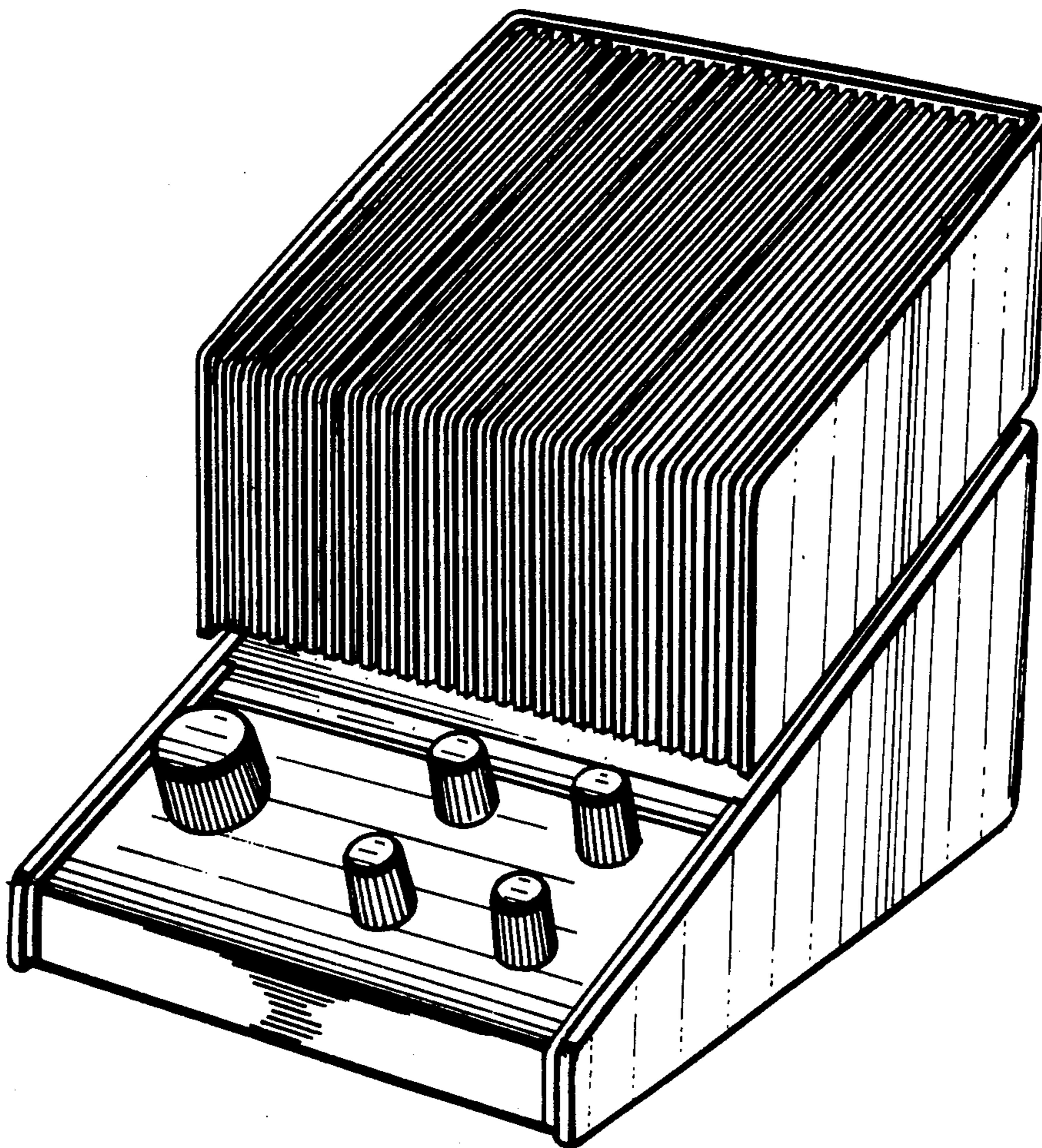


Fig. 1

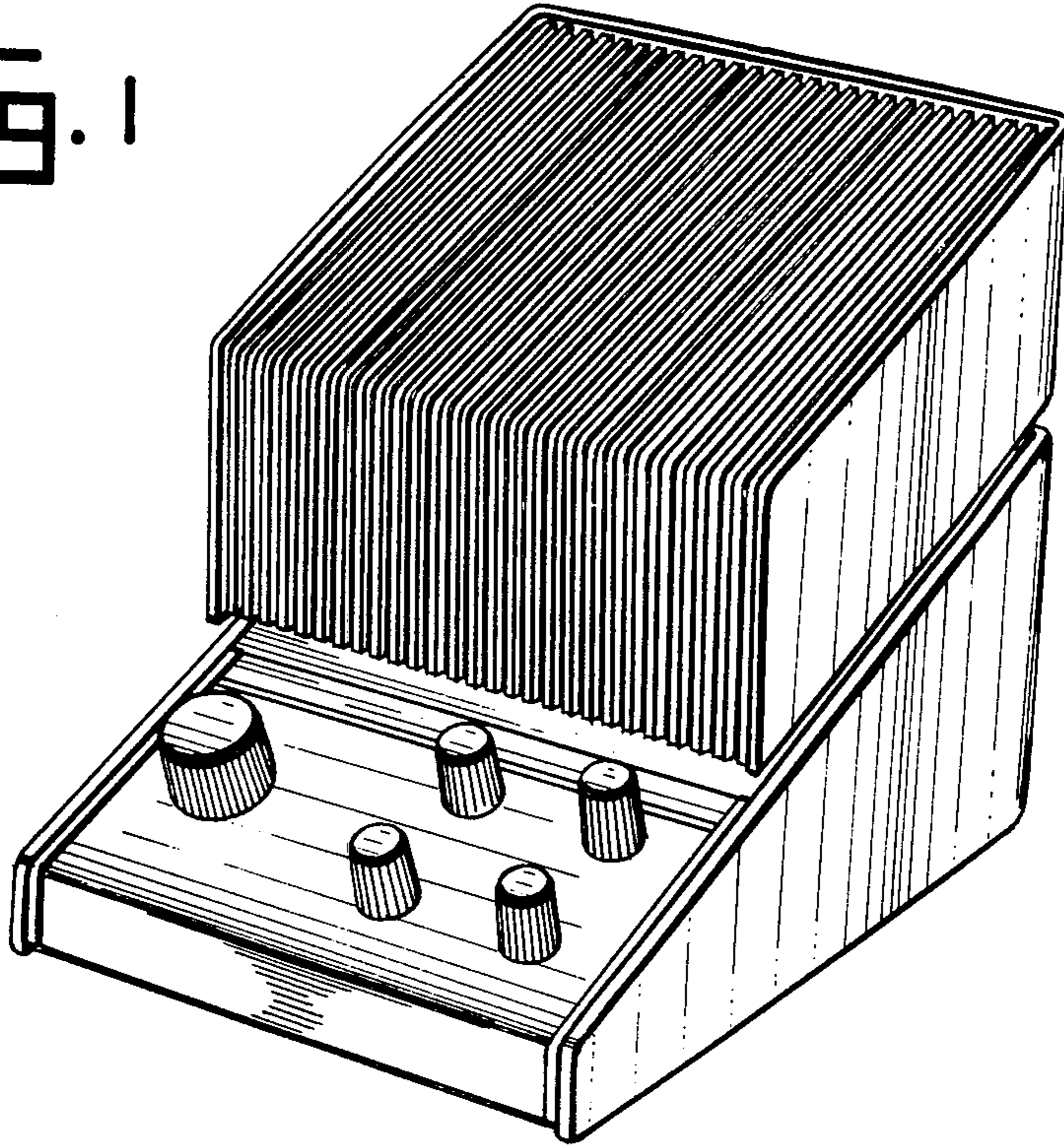


Fig. 2

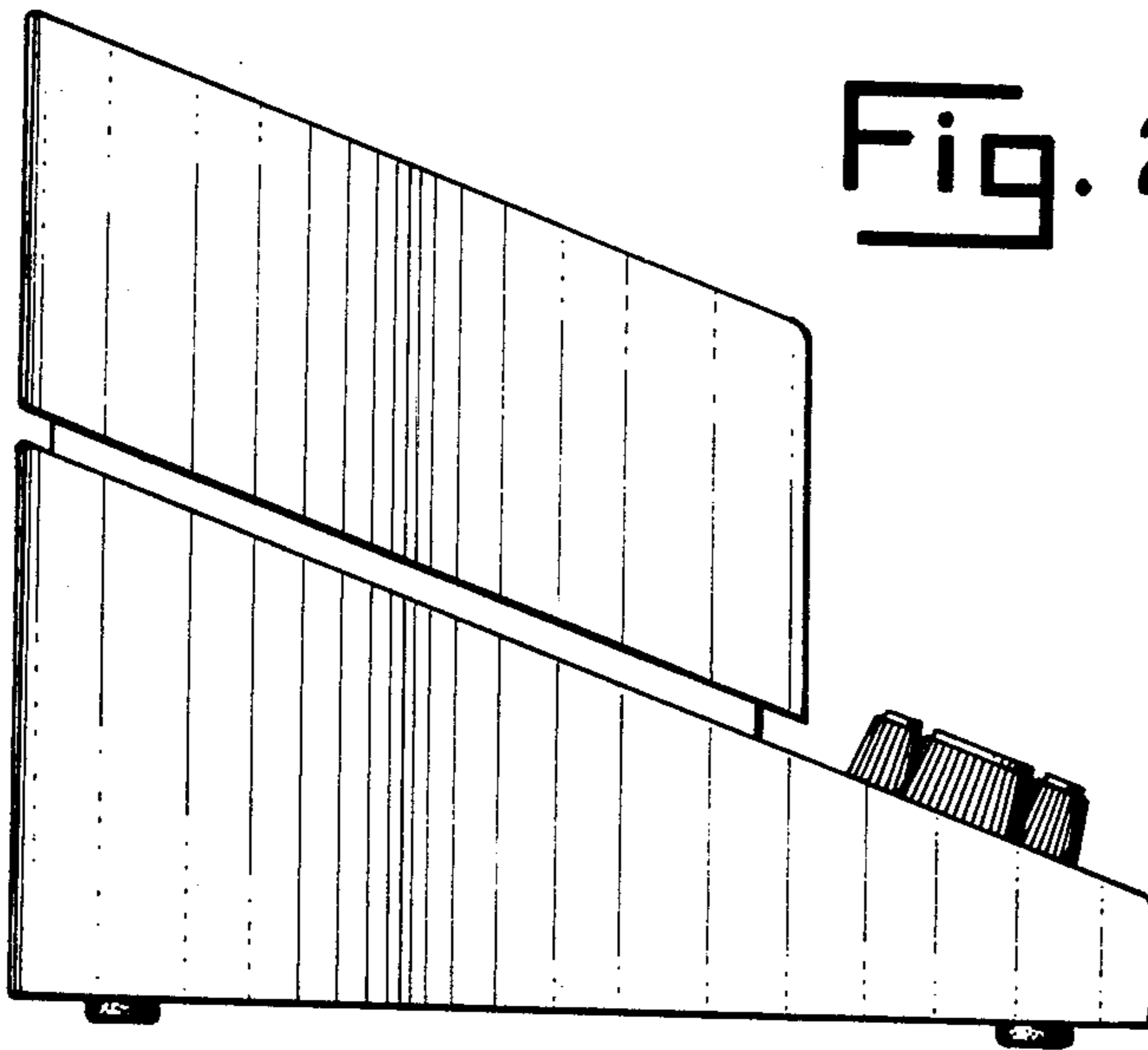


Fig. 3

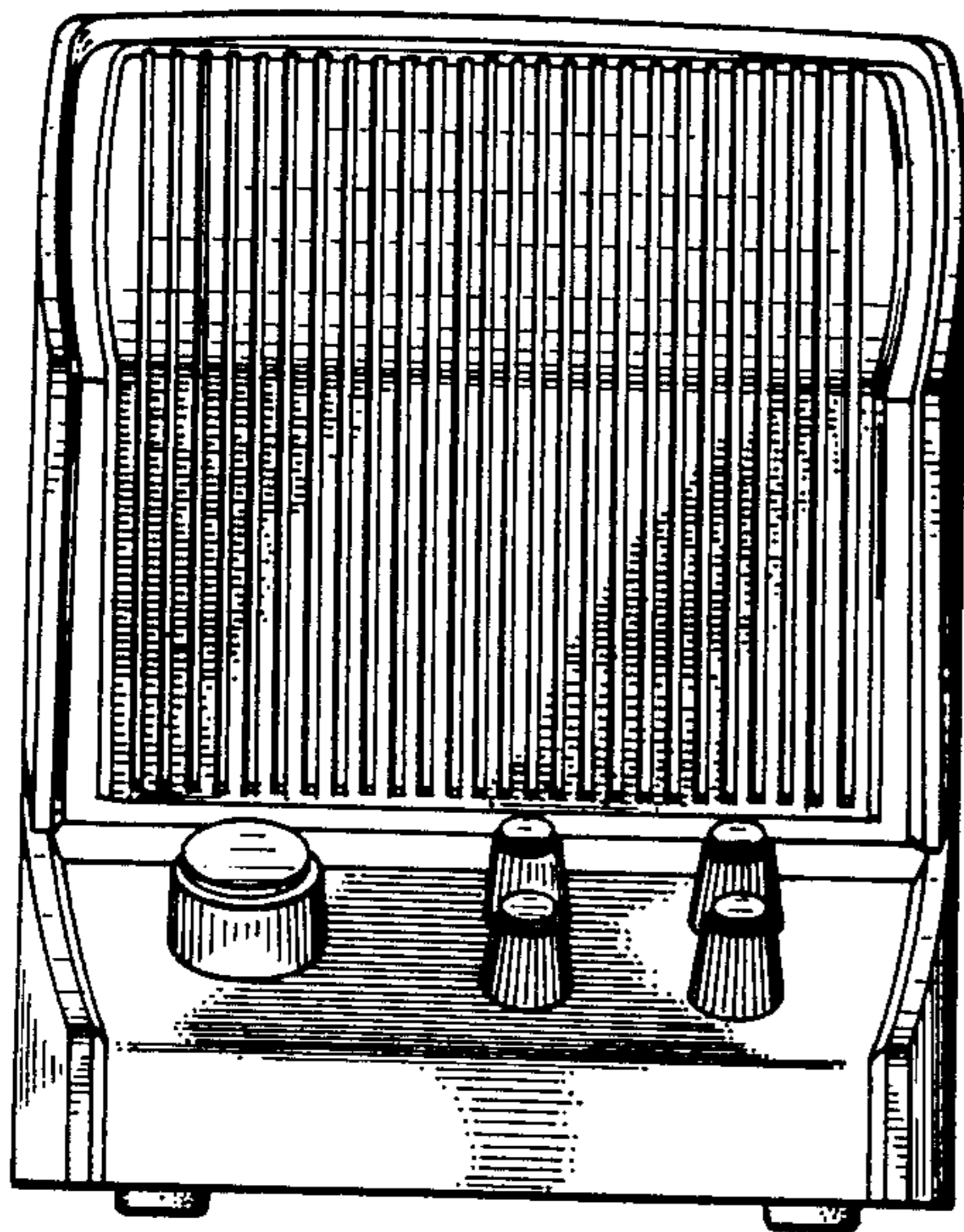


Fig. 4

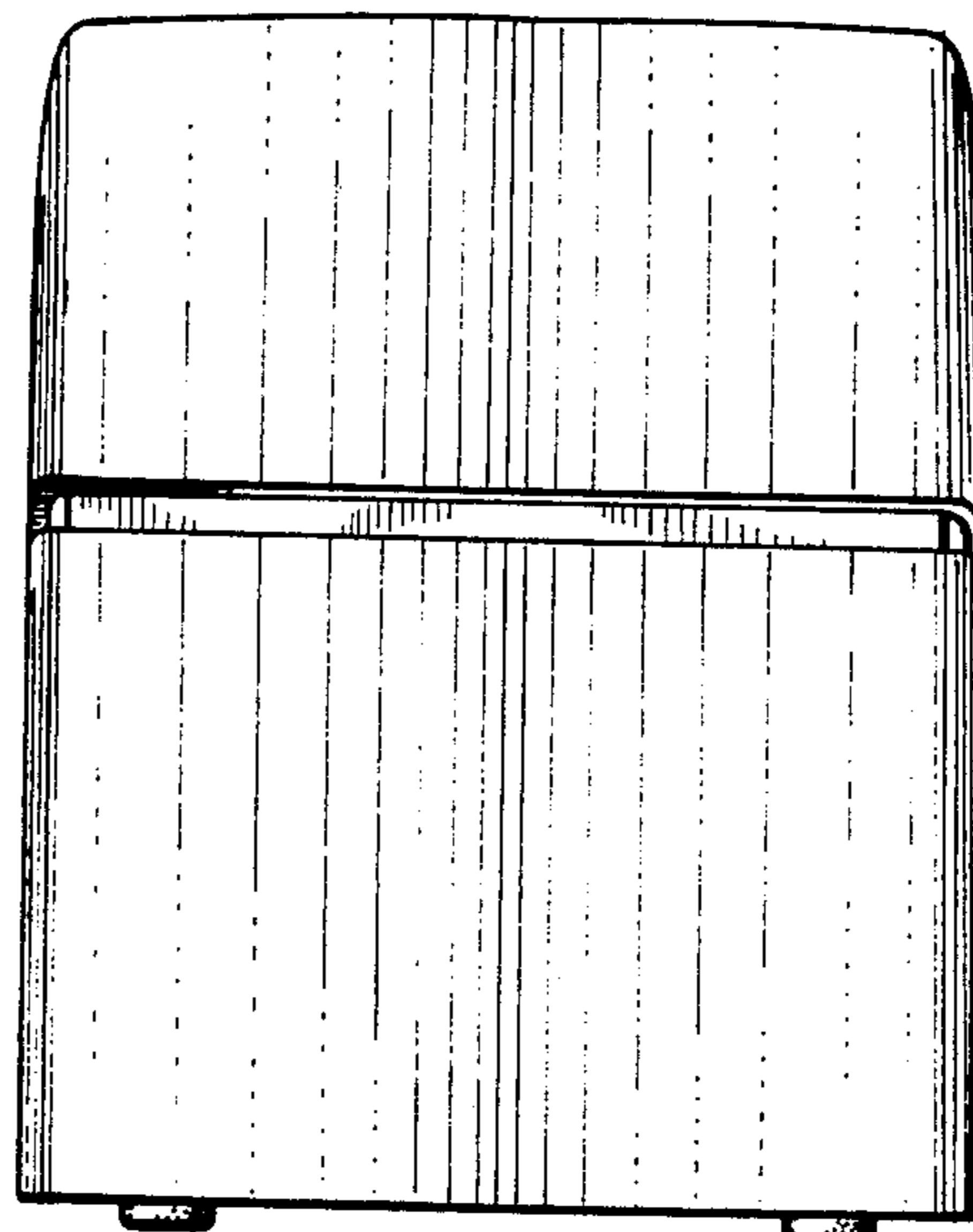


Fig. 5

