

United States Patent [19]
Schneider, Sr.

[11] **Des. 248,659**
[45] **** Jul. 25, 1978**

[54] **BORING BIT**

[76] **Inventor:** Michael Schneider, Sr., 1120 S. Union Ave., Alliance, Ohio 44601

[**] **Term:** 14 Years

[21] **Appl. No.:** 727,151

[22] **Filed:** Sep. 27, 1976

[51] **Int. Cl.** D15-09

[52] **U.S. Cl.** D15/139

[58] **Field of Search** D15/139; 408/231, 227, 408/228, 229, 204, 211, 212, 213

[56]

References Cited

U.S. PATENT DOCUMENTS

D. 139,844 12/1944 Smith D15/139
2,816,464 12/1957 Willingham 408/227

2,842,015 7/1958 Miller 408/224
3,794,438 2/1974 Knutsson 408/224 X

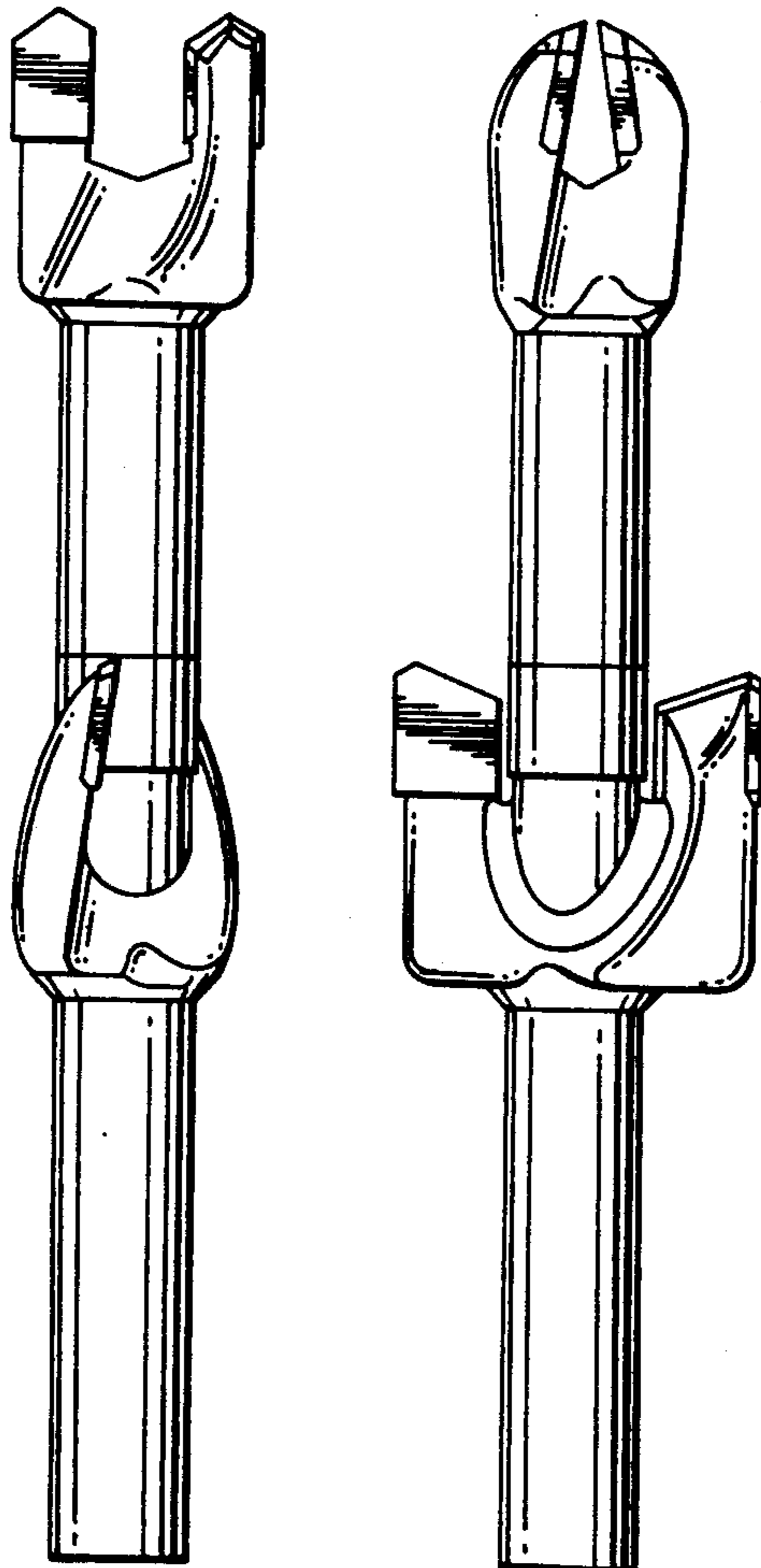
Primary Examiner—Alan P. Douglas
Attorney, Agent, or Firm—Webster B. Harpman

[57] **CLAIM**

The ornamental design for a boring bit, as shown and described.

DESCRIPTION

FIG. 1 is a front view of a boring bit showing my new design;
FIG. 2 is a side view thereof;
FIG. 3 is a top view thereof;
FIG. 4 is a bottom view thereof;
FIG. 5 is a front view of a modification thereof;
FIG. 6 is a side view of the modification thereof;
FIG. 7 is a top view of the modification thereof; and
FIG. 8 is a bottom view of the modification thereof.



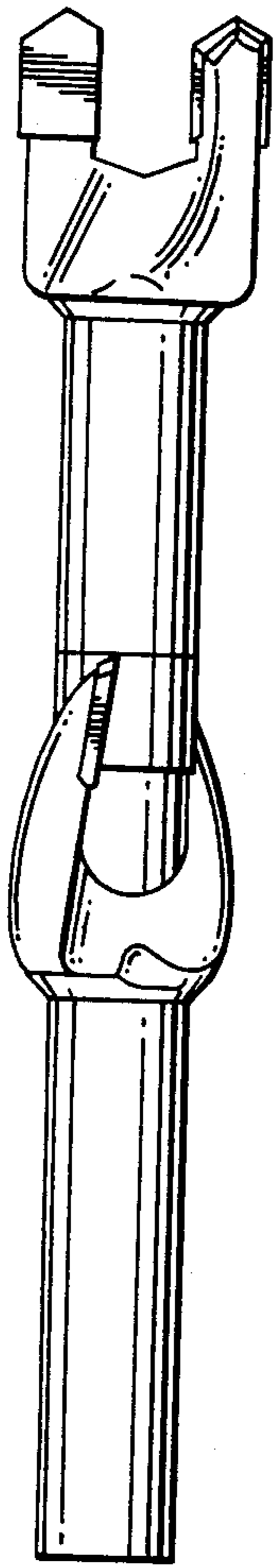


FIG. 1

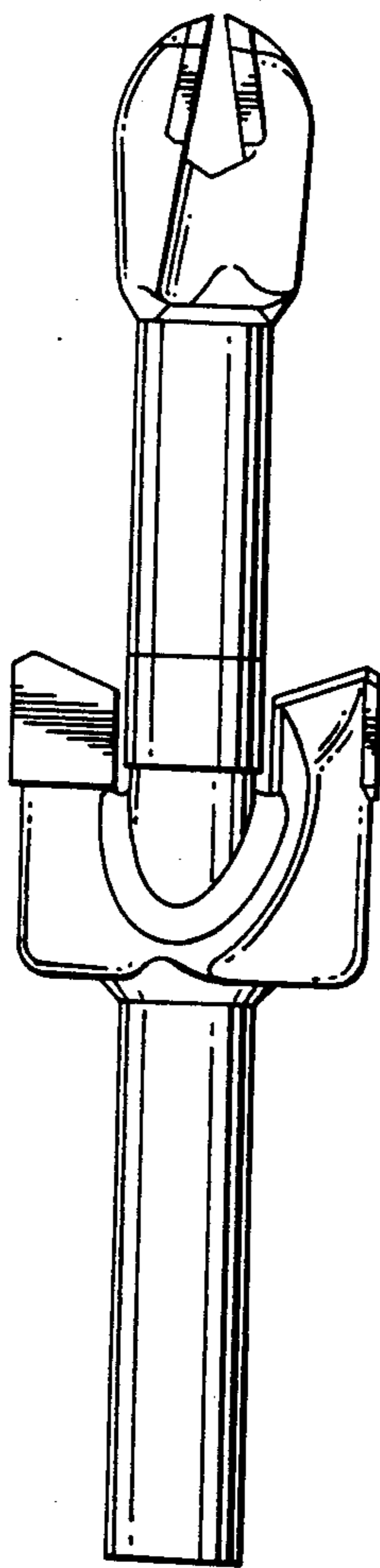


FIG. 2

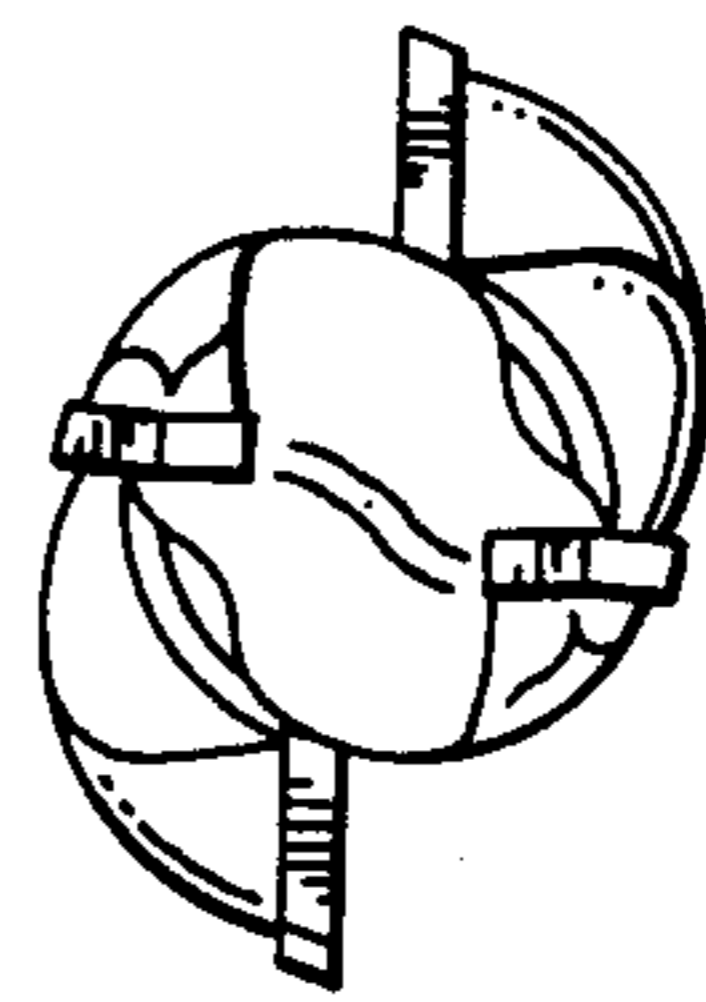


FIG. 3

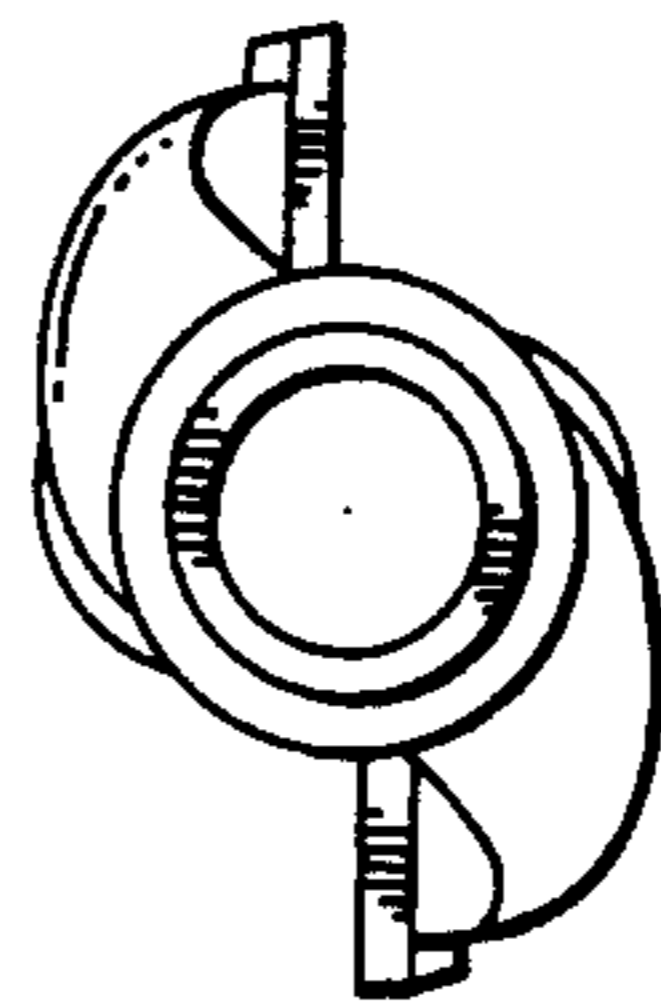


FIG. 4

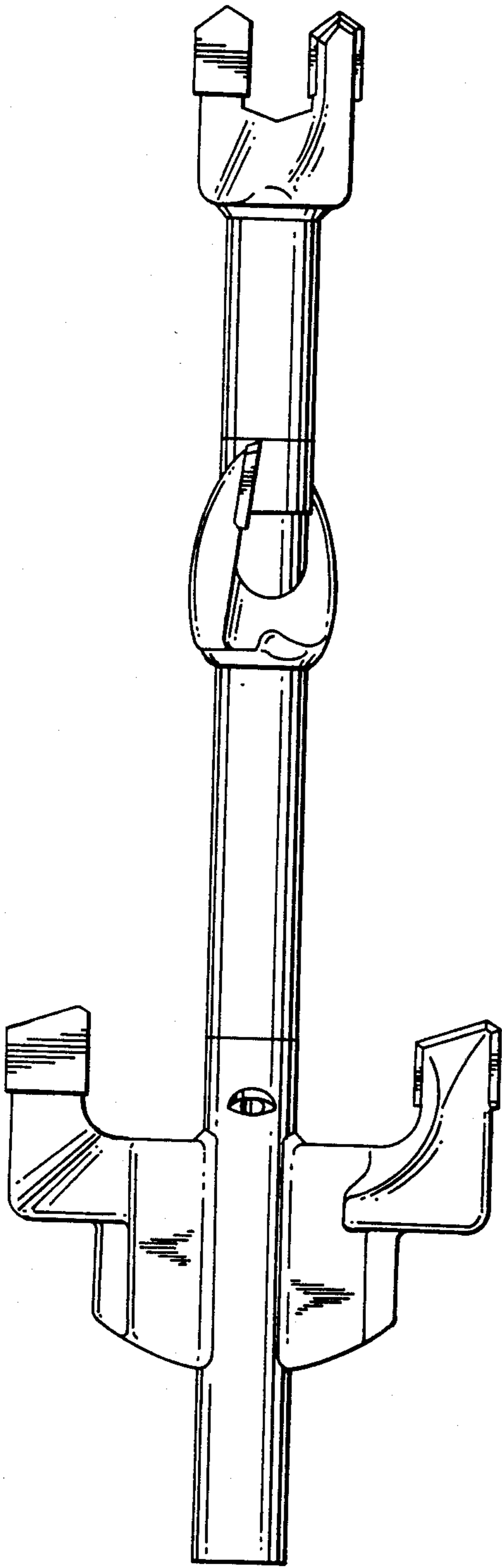


FIG. 5

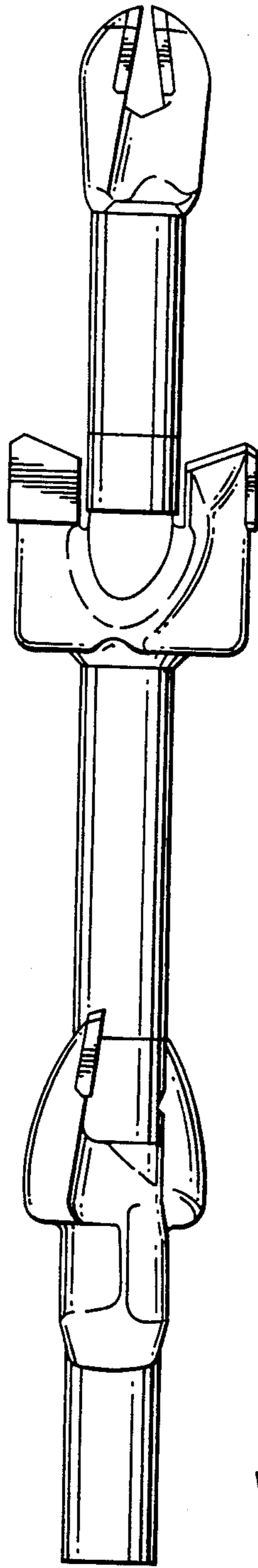


FIG. 6

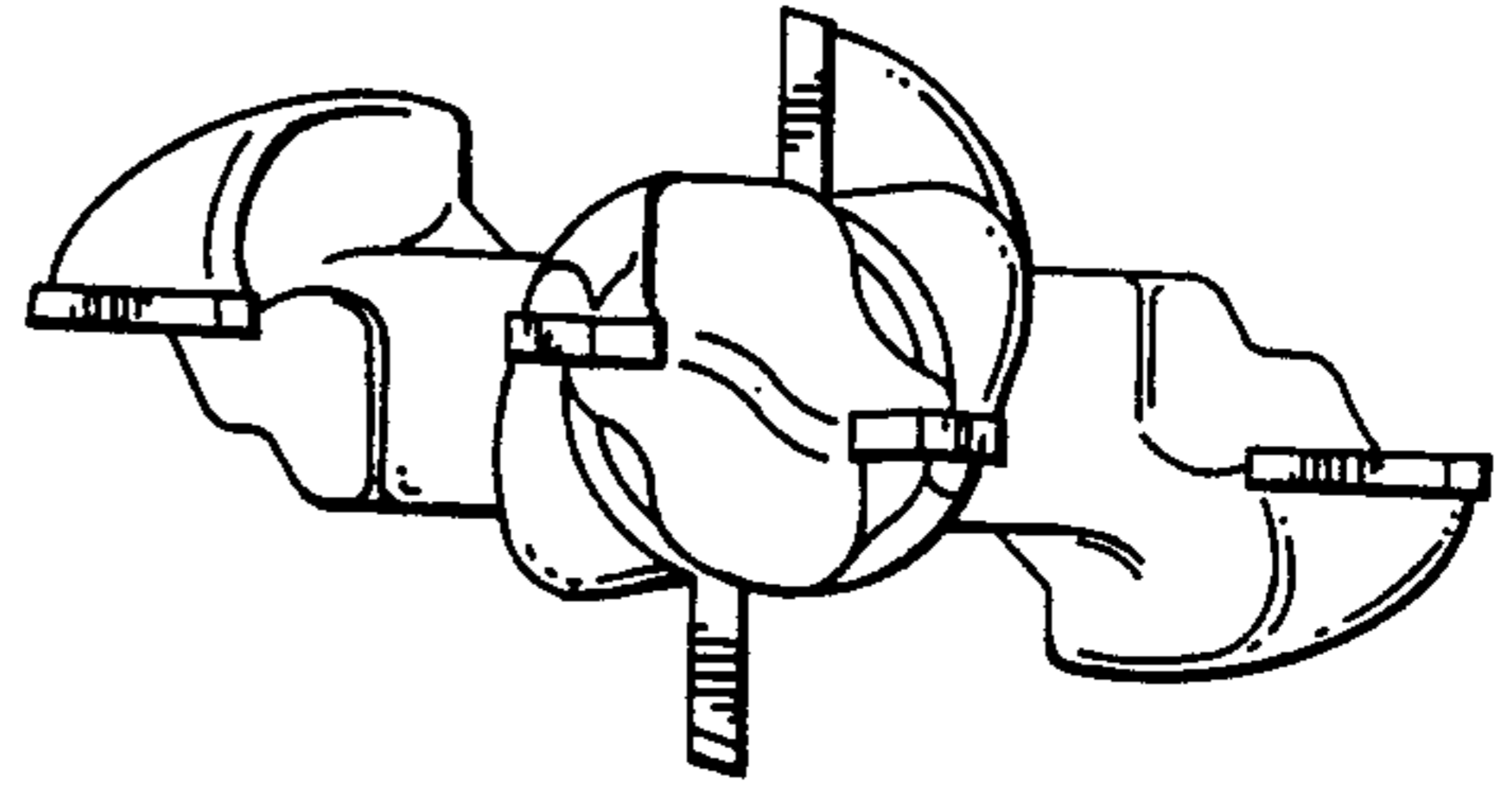


FIG. 7

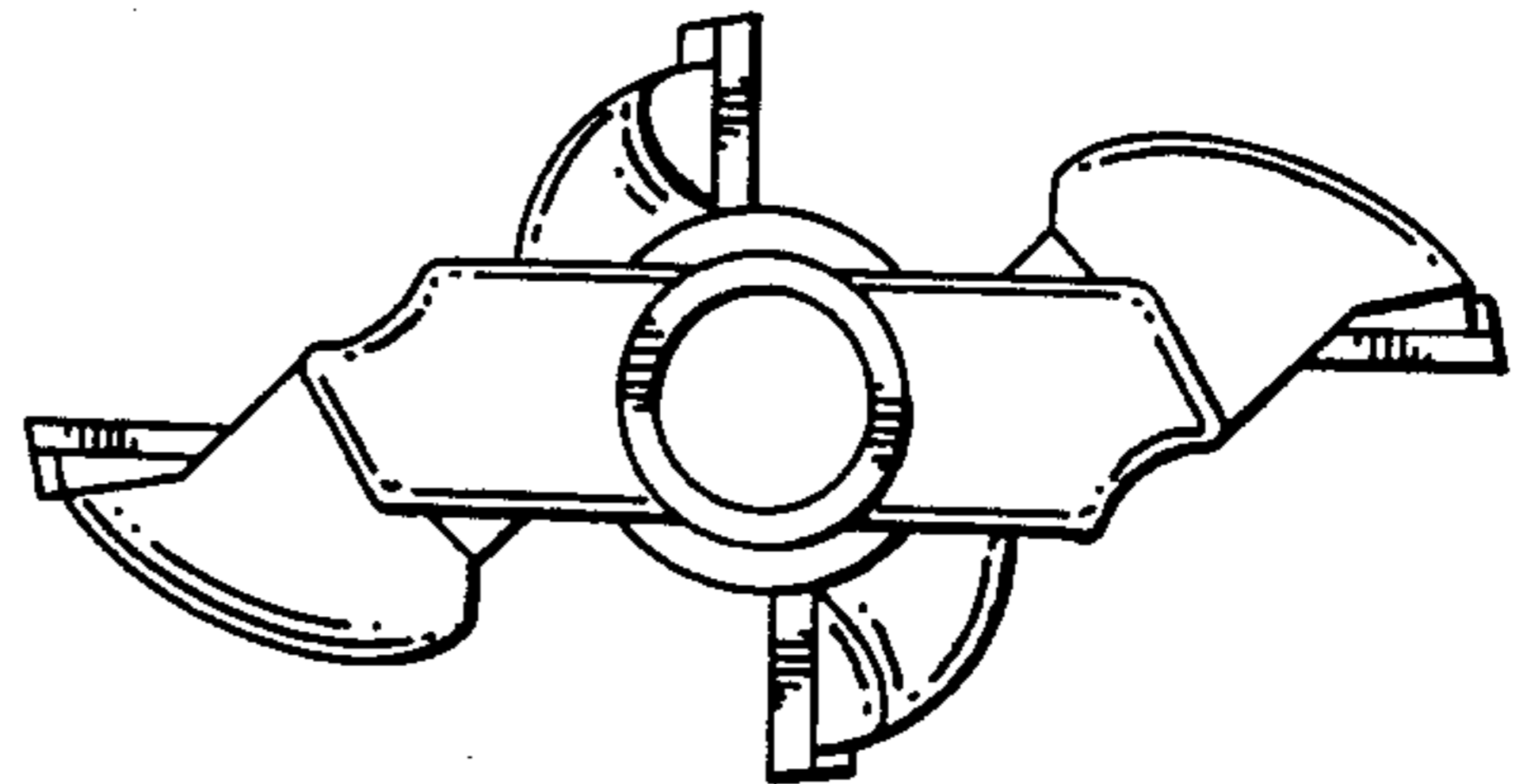


FIG. 8