

[54] **HOME VACUUM/WATER EXTRACTION  
CLEANING UNIT**

[75] **Inventor:** Carl Parise, Reno, Nev.

[73] **Assignee:** Parise & Sons, Inc., Reno, Nev.

[\*\*] **Term:** 14 Years

[21] **Appl. No.:** 785,151

[22] **Filed:** Apr. 6, 1977

[51] **Int. Cl.** ..... D15-05

[52] **U.S. Cl.** ..... D15/52

[58] **Field of Search** ..... D15/34, 48, 52, 56,  
D15/62; 15/320, 321, 322, 327 R, 327 D, 339,  
347, 349, 353, 354; 55/429, 467, DIG. 3

[56]

**References Cited**

**U.S. PATENT DOCUMENTS**

D. 242,210	11/1976	Parise et al. ....	D15/52
D. 243,311	2/1977	Bartlett .....	D15/53
3,821,830	7/1974	Sundheim .....	15/321

*Primary Examiner*—Wallace R. Burke  
*Assistant Examiner*—Catherine Kemper  
*Attorney, Agent, or Firm*—Richard C. Sughrue

[57]

**CLAIM**

The ornamental design for a home vacuum/water extraction cleaning unit, as shown.

**DESCRIPTION**

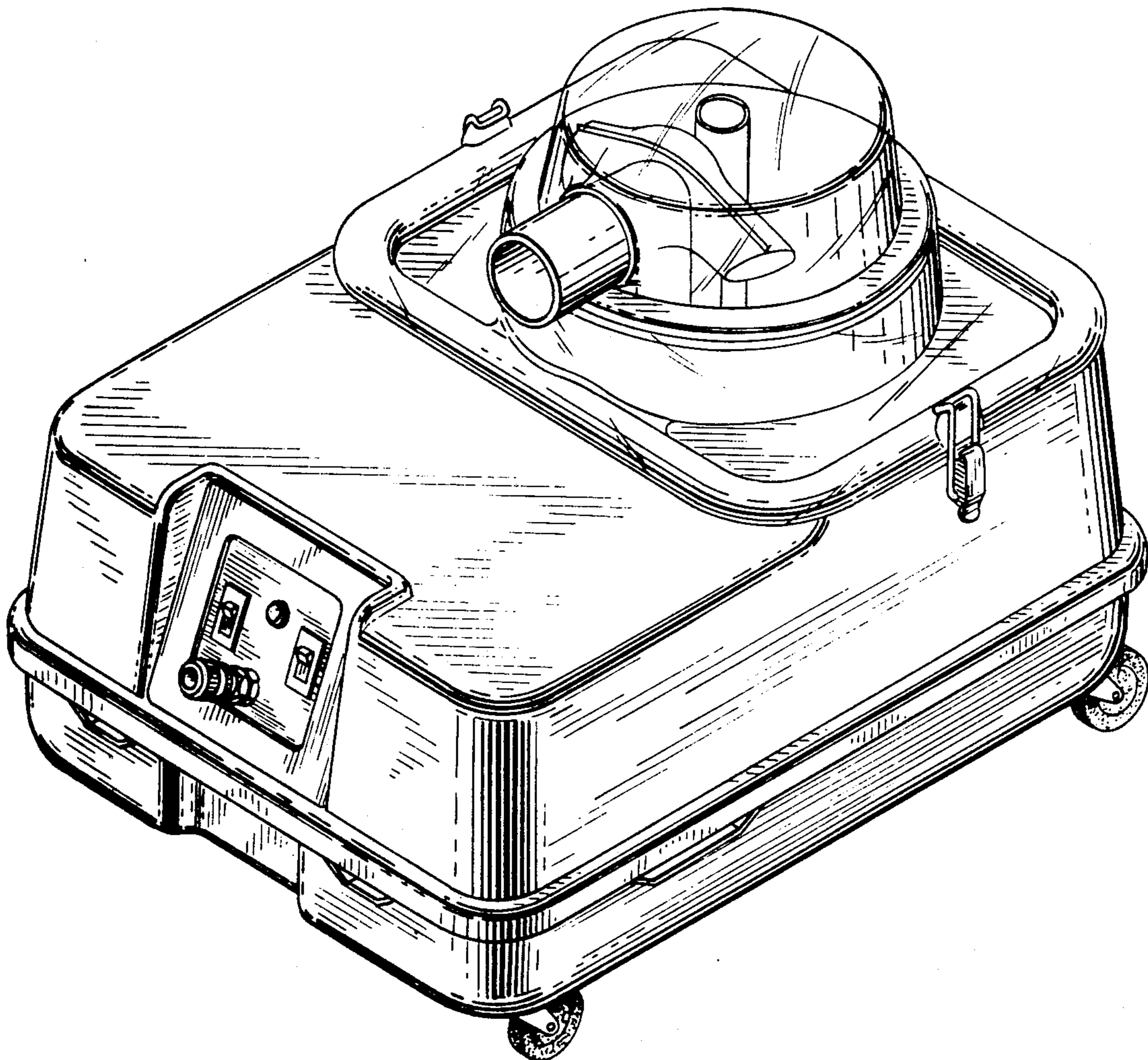
FIG. 1 is a front, top and right side perspective view of a home vacuum/water extraction cleaning unit showing my new design;

FIG. 2 is a left side elevational view thereof;

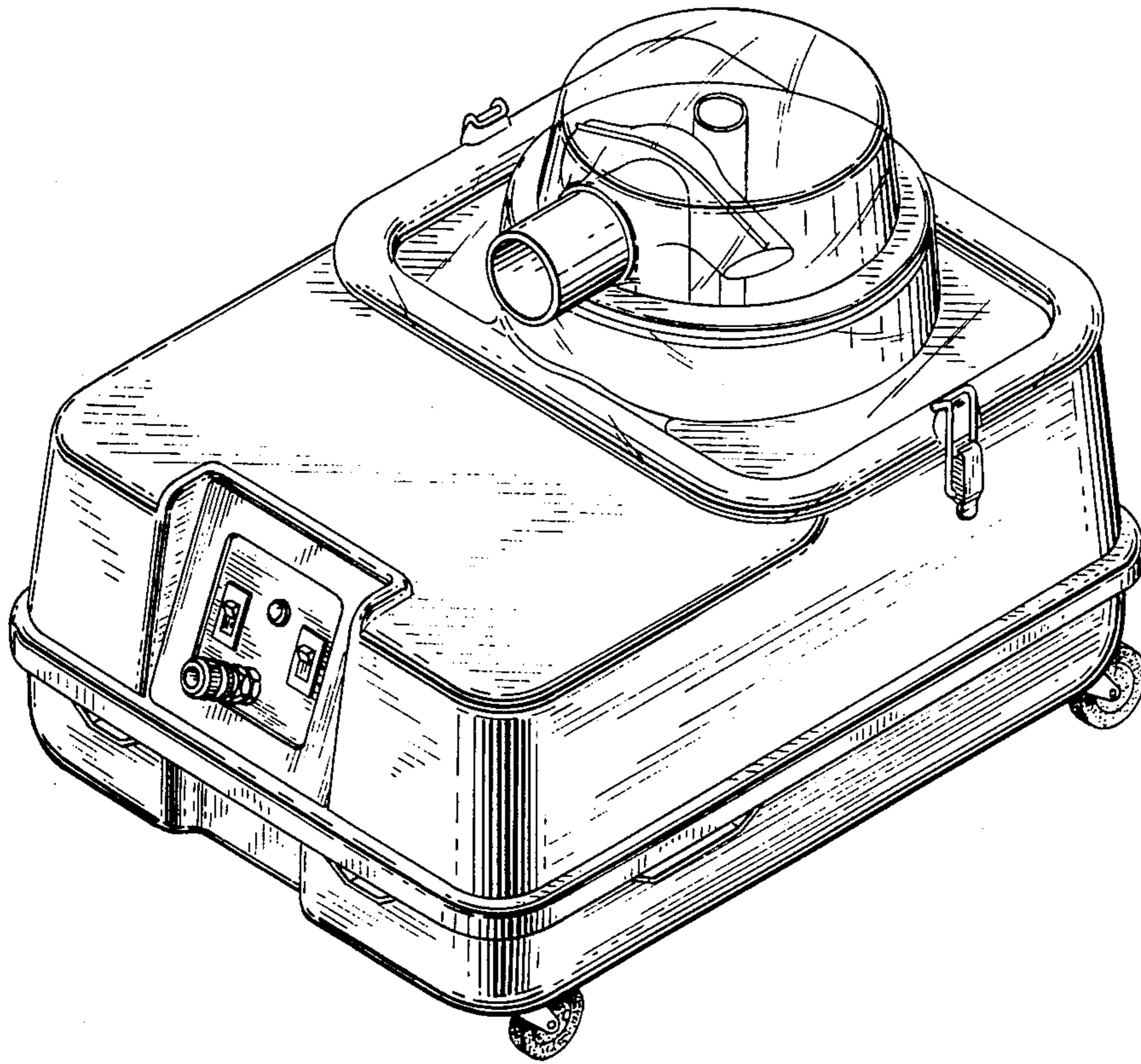
FIG. 3 is a top plan view;

FIG. 4 is a rear elevational view thereof; and

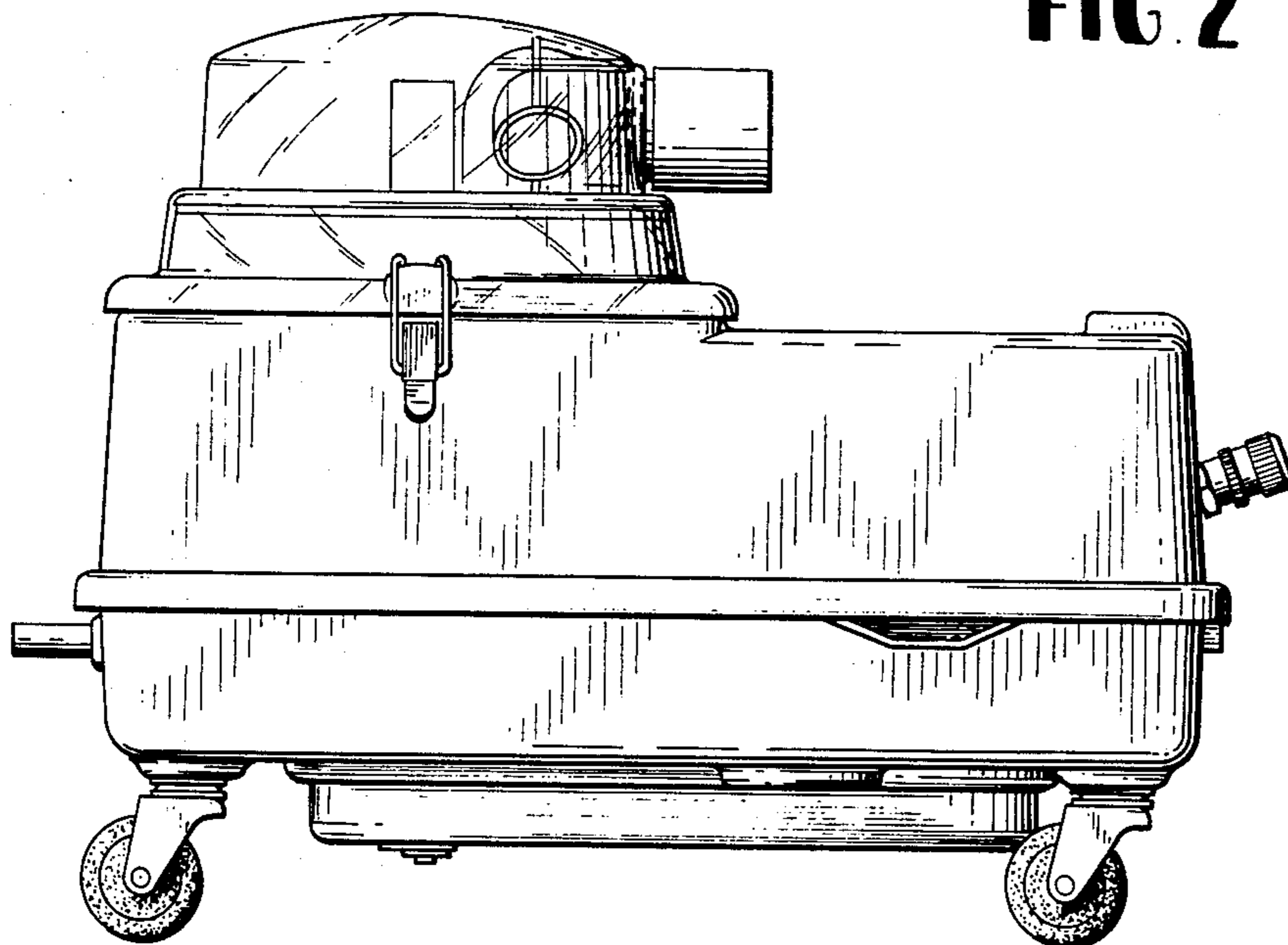
FIG. 5 is a bottom plan view thereof.



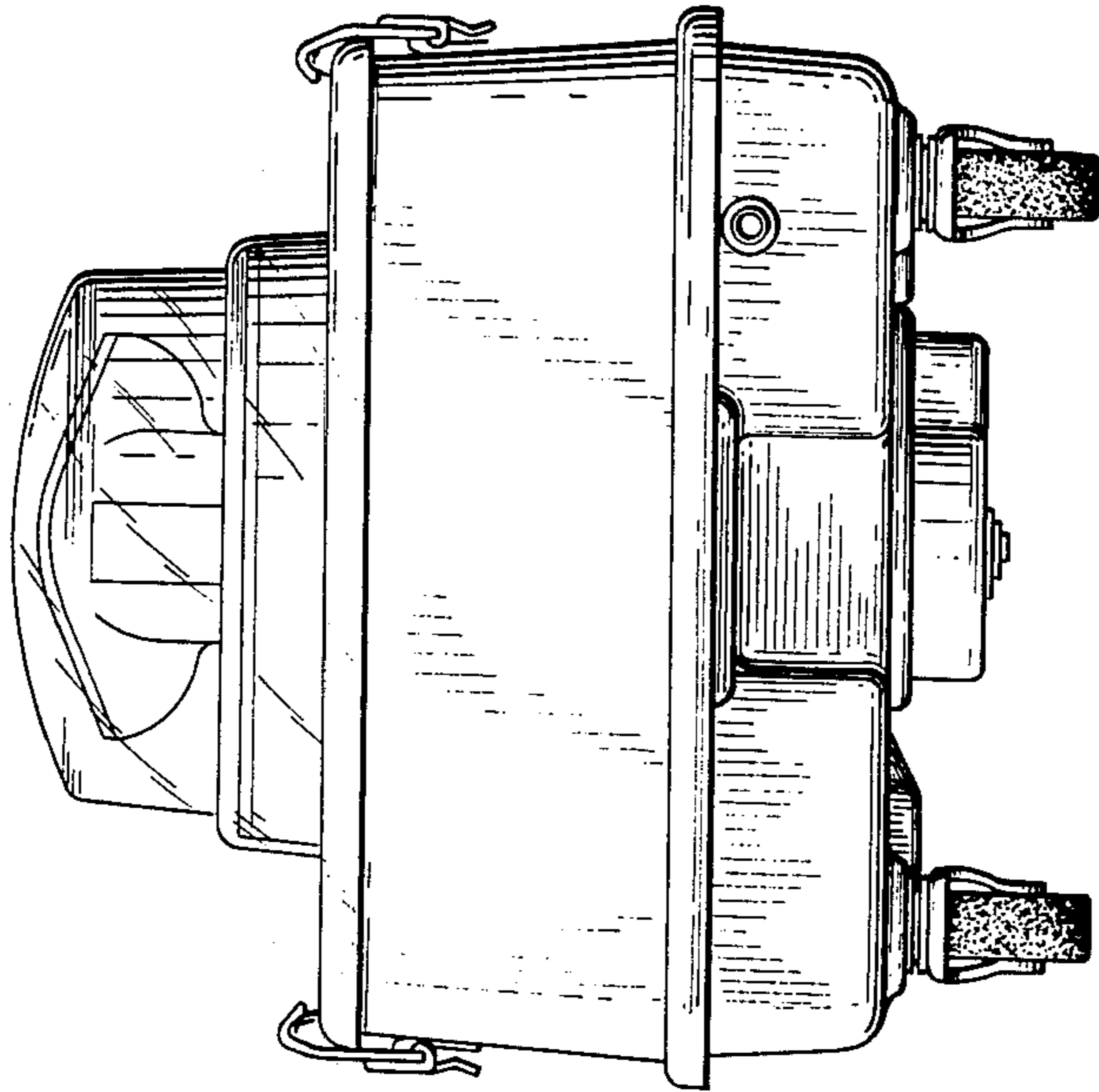
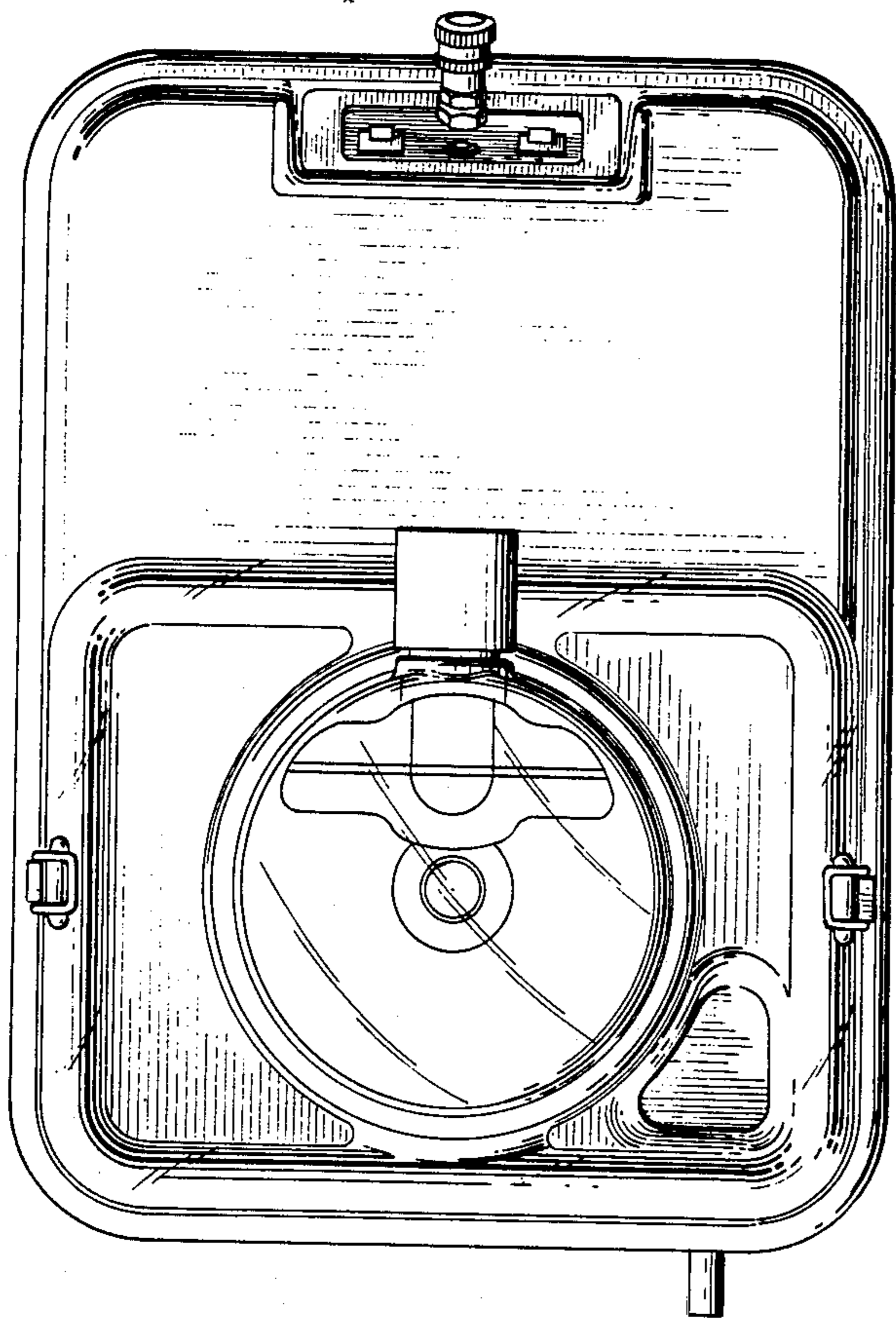
**FIG. 1**



**FIG. 2**



**FIG. 3**



**FIG. 4**

**FIG. 5**

