

[54] HOT-WATER EXTRACTION UNIT
[75] Inventor: Carl Parise, Reno, Nev.
[73] Assignee: Parise & Sons, Inc., Reno, Nev.
[**] Term: 14 Years
[21] Appl. No.: 674,461
[22] Filed: Apr. 7, 1976
[51] Int. Cl. D15-05
[52] U.S. Cl. D15/52
[58] Field of Search D15/34, 48, 52, 56,
D15/62; 15/320, 321, 322, 327 R, 327 D, 339,
347, 349, 353, 354

[56] References Cited
U.S. PATENT DOCUMENTS
D. 242,210 11/1976 Parise et al. D15/52
D. 243,311 2/1977 Bartlett D15/53

3,821,830 7/1974 Sundheim 15/321
3,896,521 7/1975 Parise 15/321
3,911,524 10/1975 Parise 15/353

Primary Examiner—Wallace R. Burke
Assistant Examiner—Catherine Kemper
Attorney, Agent, or Firm—Richard C. Sughrue

[57] CLAIM

The ornamental design for a hot-water extraction unit, as shown and described.

DESCRIPTION

FIG. 1 is a perspective view of a hot-water extraction unit, showing my new design;
FIG. 2 is a side elevational view thereof;
FIG. 3 is a top plan view thereof;
FIG. 4 is a bottom plan view thereof; and
FIG. 5 is a rear elevational view thereof.
The electrical cord has been shown fragmentarily in FIGS. 2, 3 and 5 for convenience of illustration.

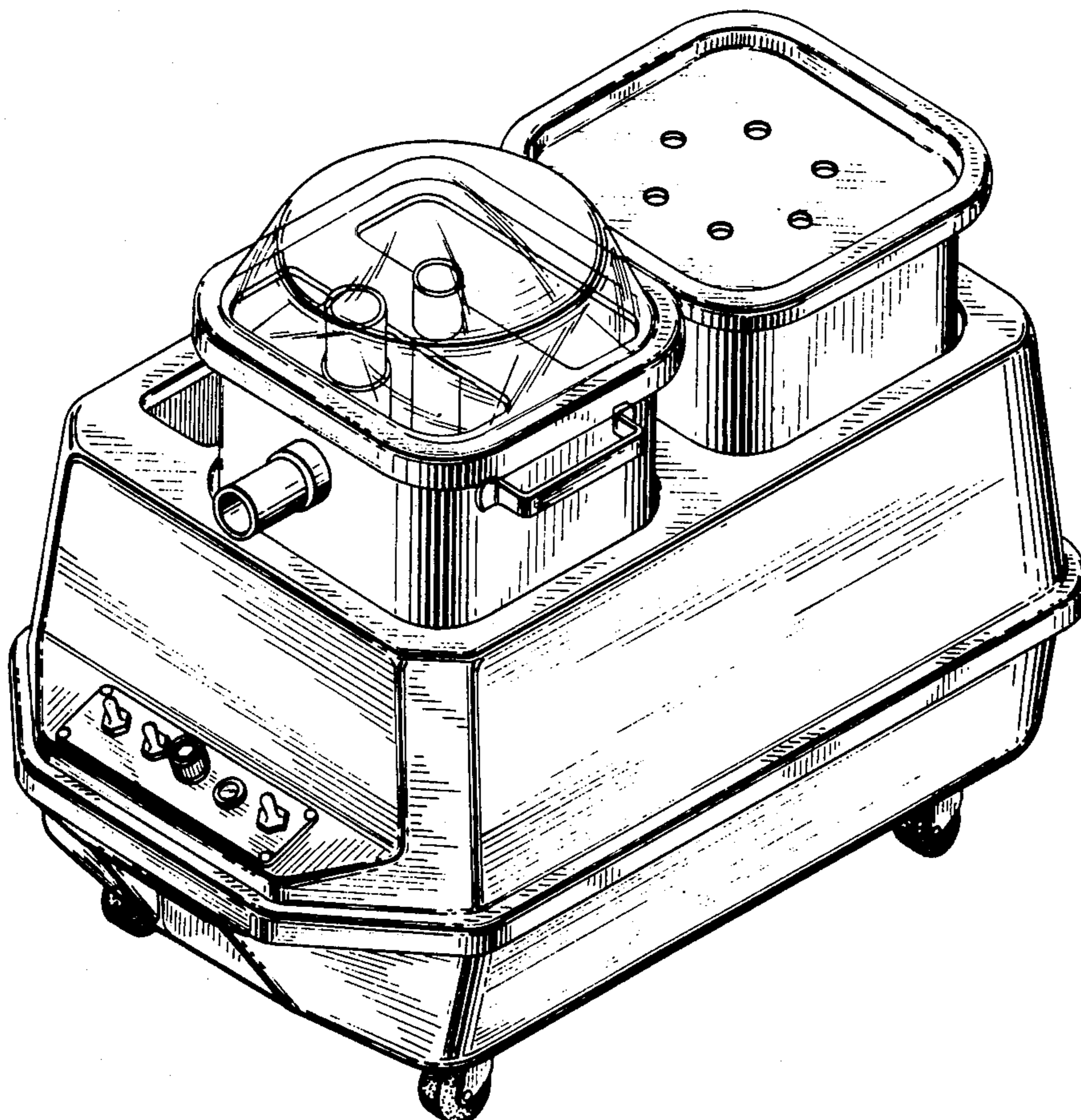


FIG. 1

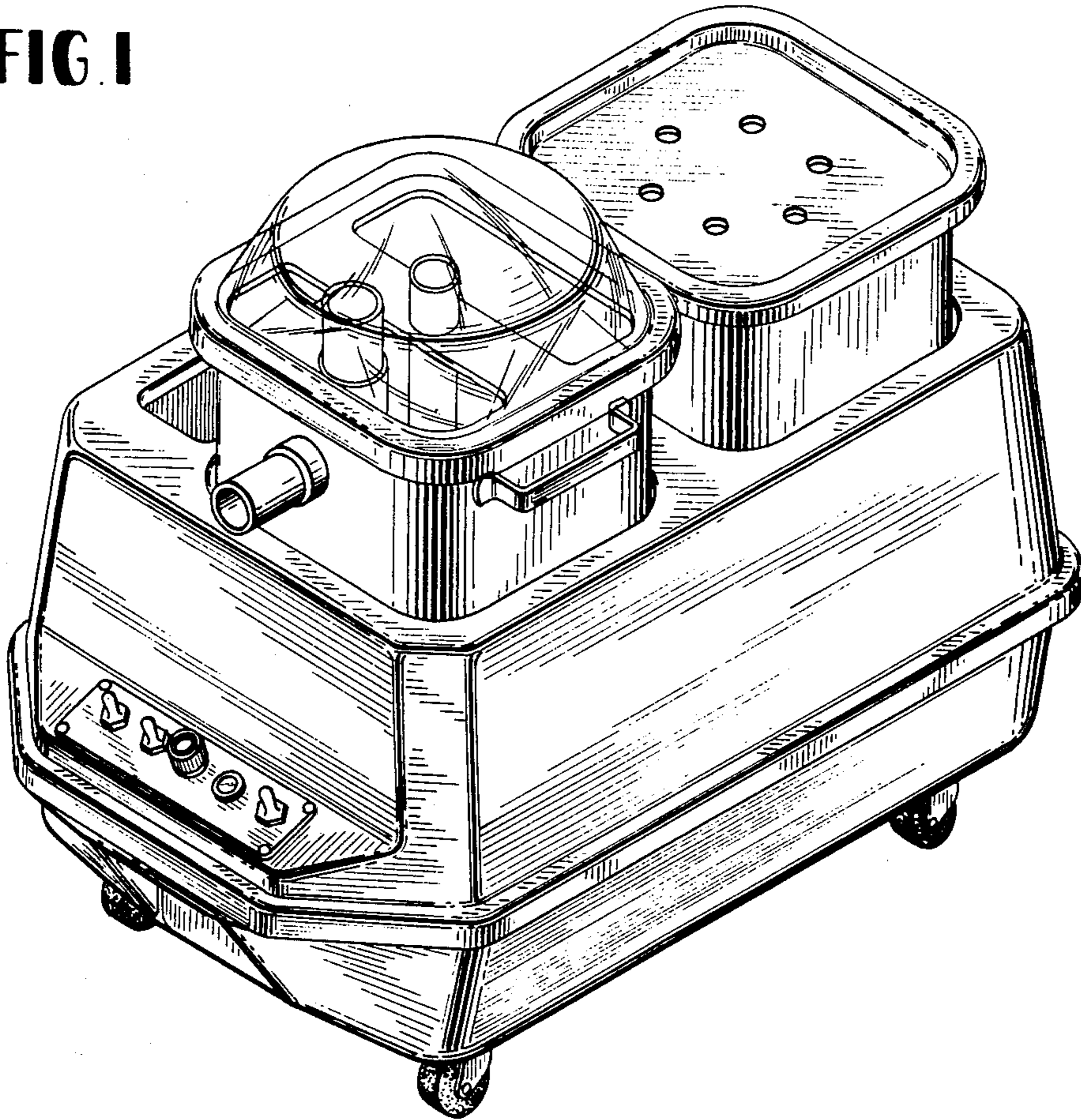


FIG. 2

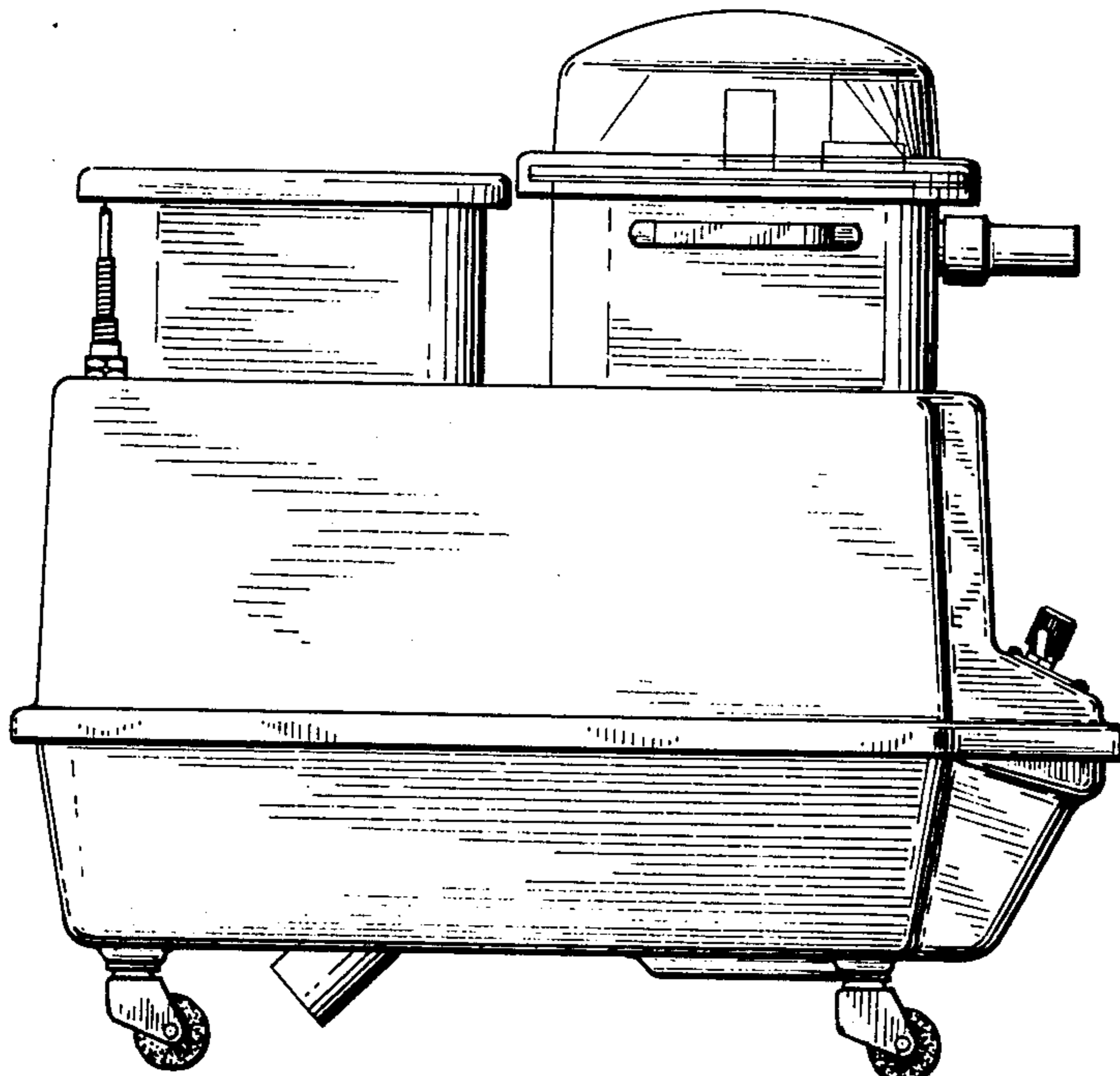


FIG. 3

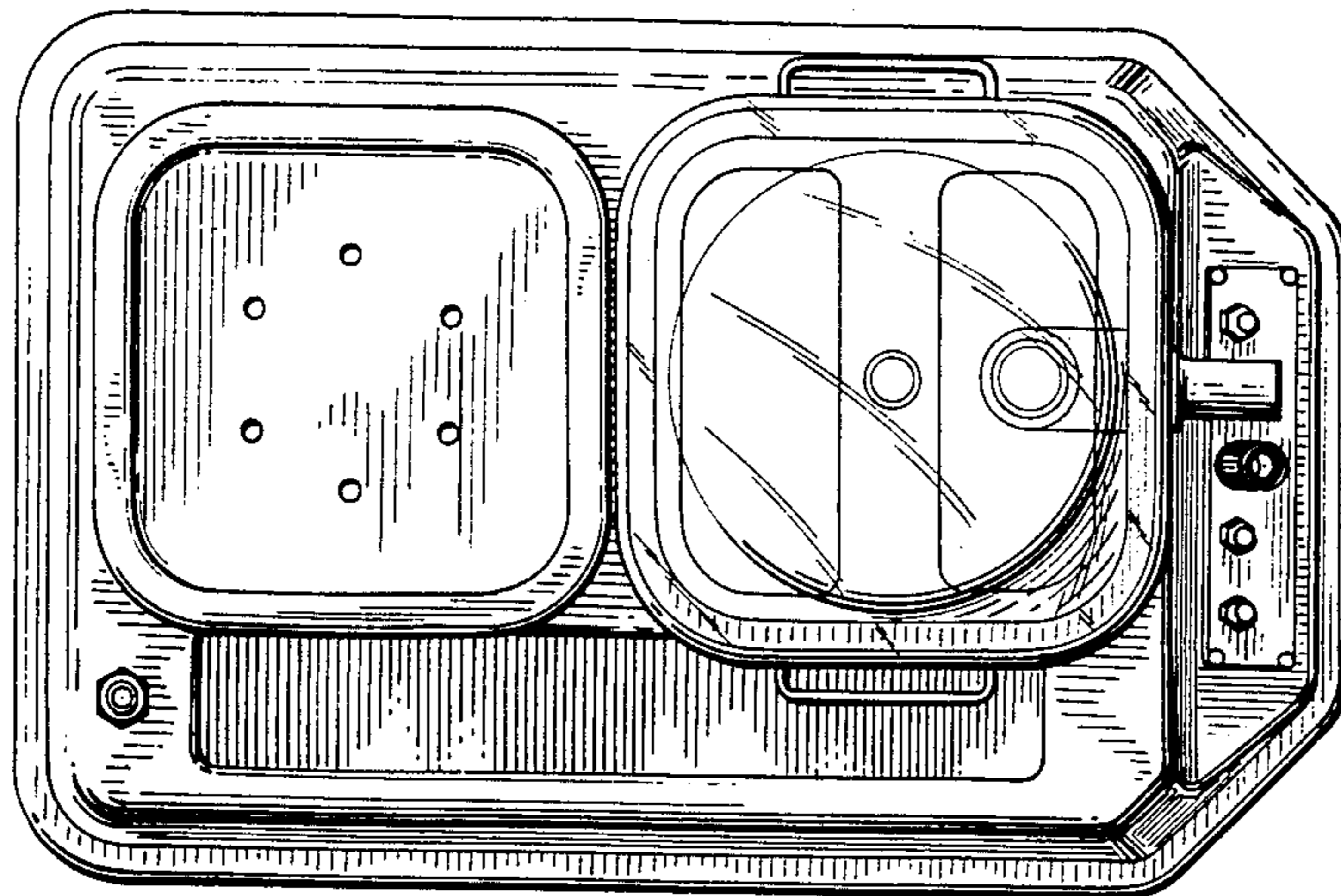


FIG. 4

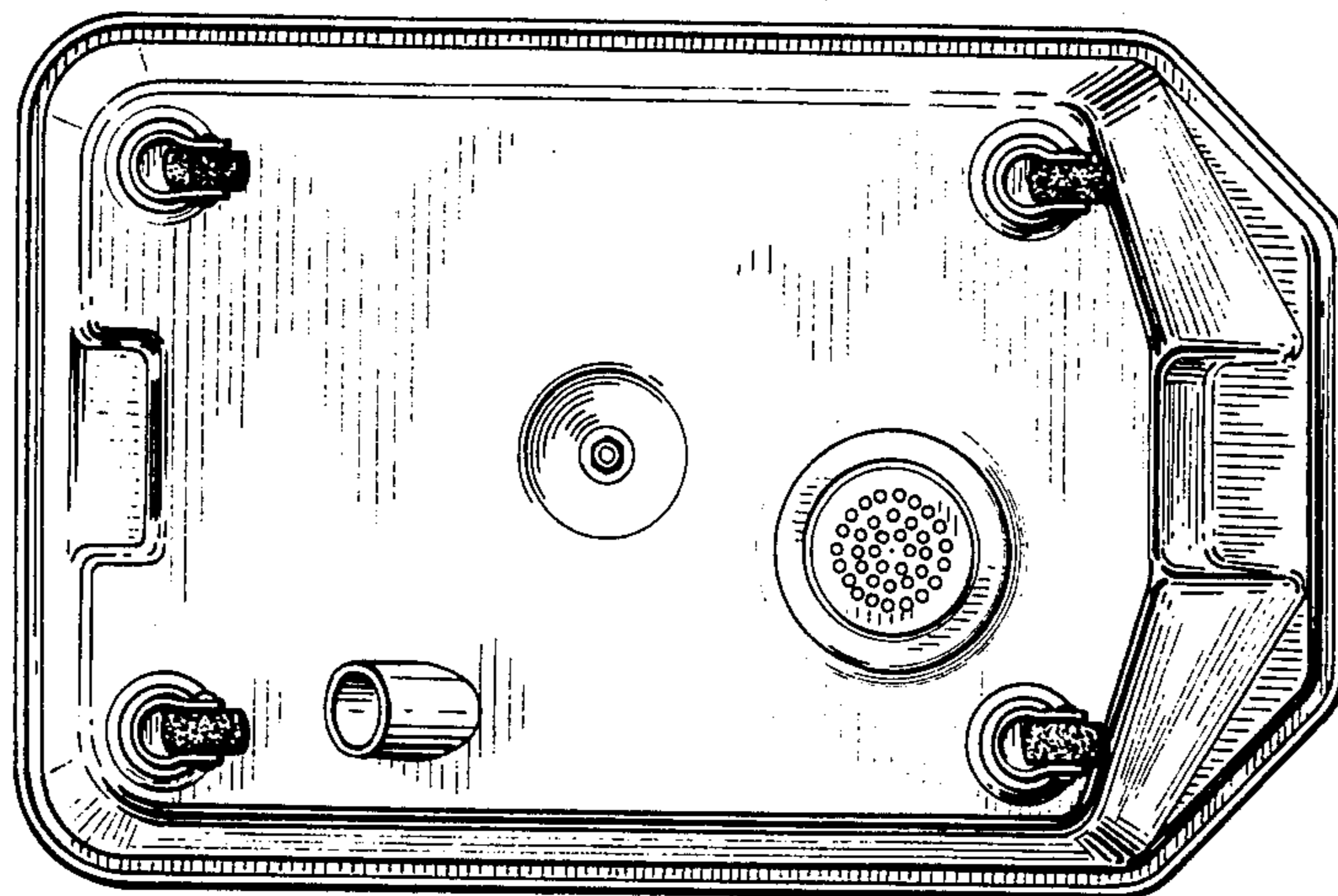


FIG. 5

