

[54] **LAWN MOWER-TRACTOR**

[75] **Inventor:** Edward Klein, Wilmette, Ill.  
[73] **Assignee:** J. I. Case Company, Racine, Wis.  
[\*\*] **Term:** 14 Years  
[21] **Appl. No.:** 751,515  
[22] **Filed:** Dec. 16, 1976

[51] **Int. Cl.** ..... D15-03  
[52] **U.S. Cl.** ..... D15/15  
[58] **Field of Search** ..... D15/15; 56/11.1, 11.2,  
56/11.6, 15.3, 15.7-15.9, 16.3, 14.9

[56] **References Cited**

**U.S. PATENT DOCUMENTS**

D. 243,270 2/1977 Ehrlin et al. .... D15/15

**OTHER PUBLICATIONS**

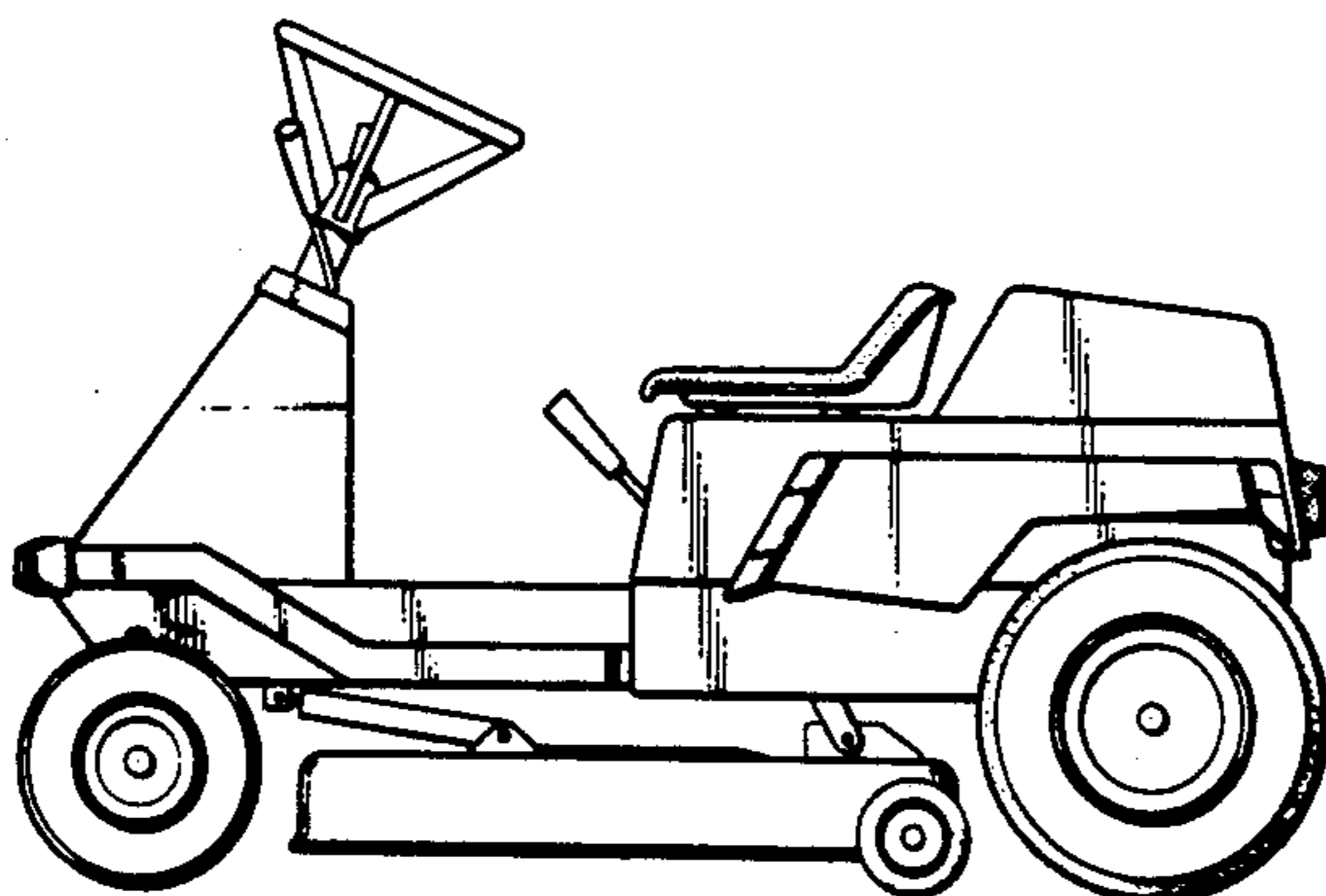
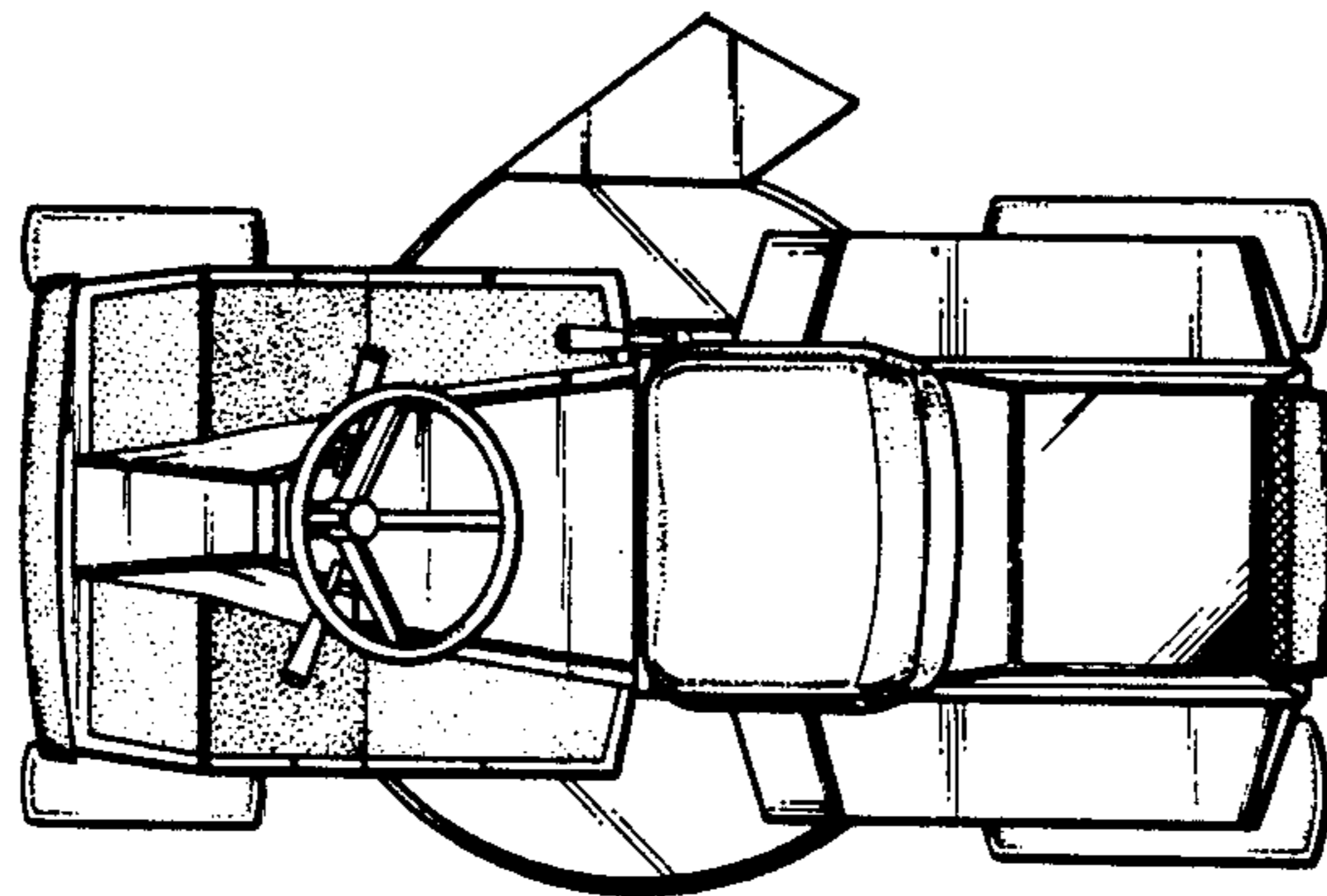
Hardware Age, 2/76, p. 129, Lawn Mower, top right side of page.  
Hardware Age, 10/75, p. 138, Lawn Mower, center of page.  
*Primary Examiner*—Wallace R. Burke  
*Assistant Examiner*—James M. Gandy  
*Attorney, Agent, or Firm*—Raymond E. Scott

[57] **CLAIM**

The ornamental design for a lawn mower-tractor, as shown.

**DESCRIPTION**

FIG. 1 is a side elevational view of a lawn mower-tractor showing my new design;  
FIG. 2 is a top plan view thereof;  
FIG. 3 is a side elevational view thereof opposite to that shown in FIG. 1;  
FIG. 4 is a rear elevational view thereof; and  
FIG. 5 is a front elevational view thereof.



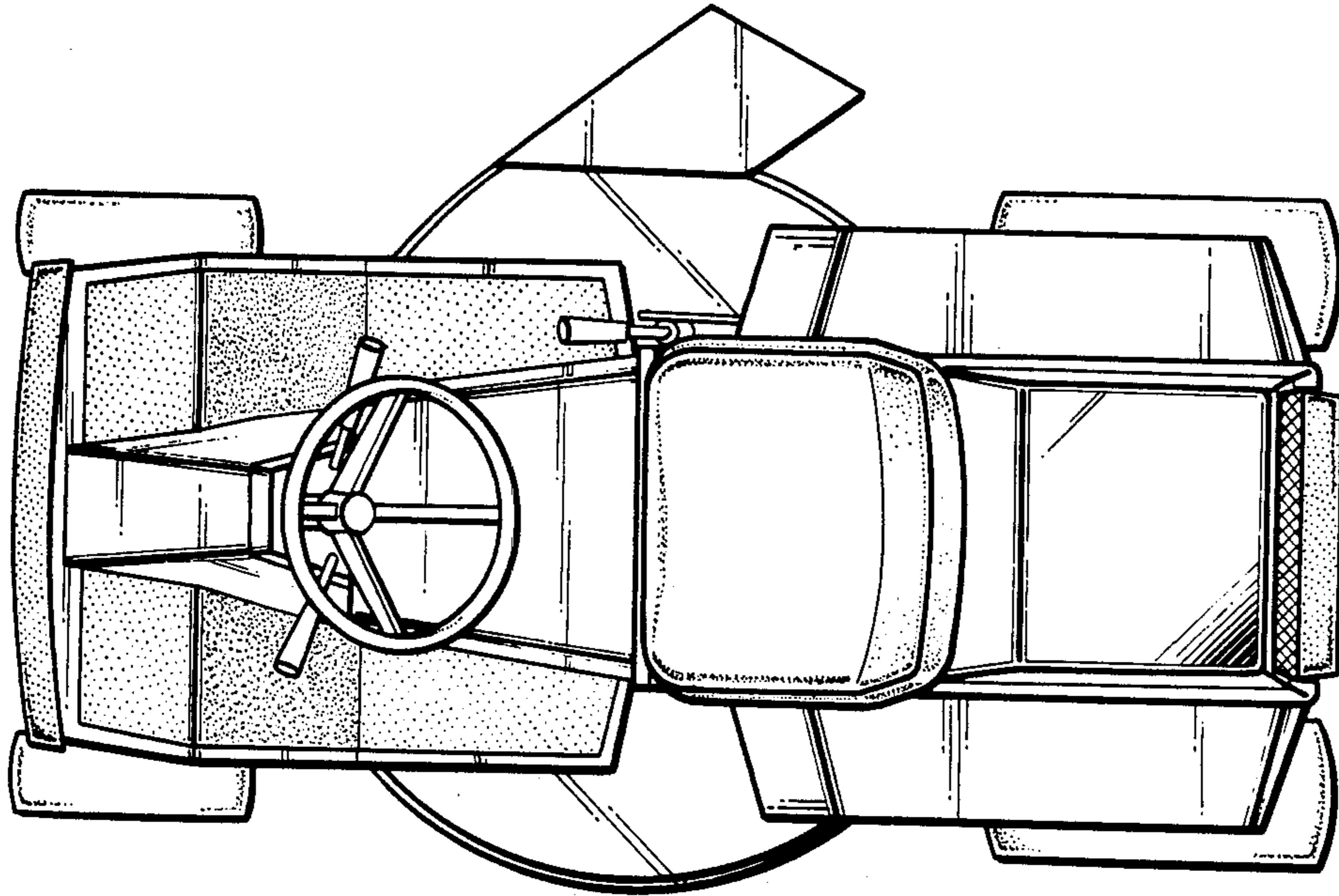


FIG. 2

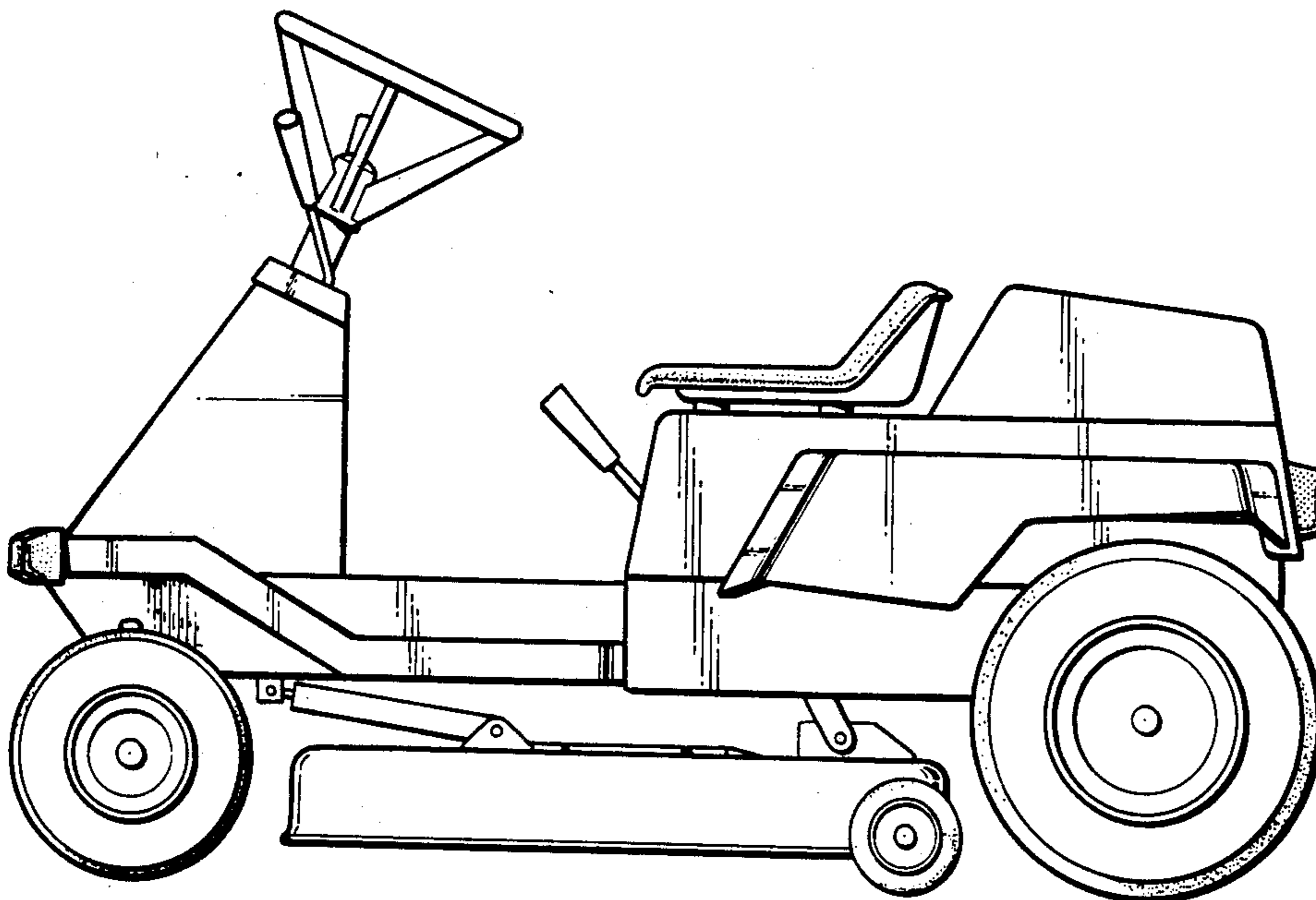


FIG. 1

FIG. 3

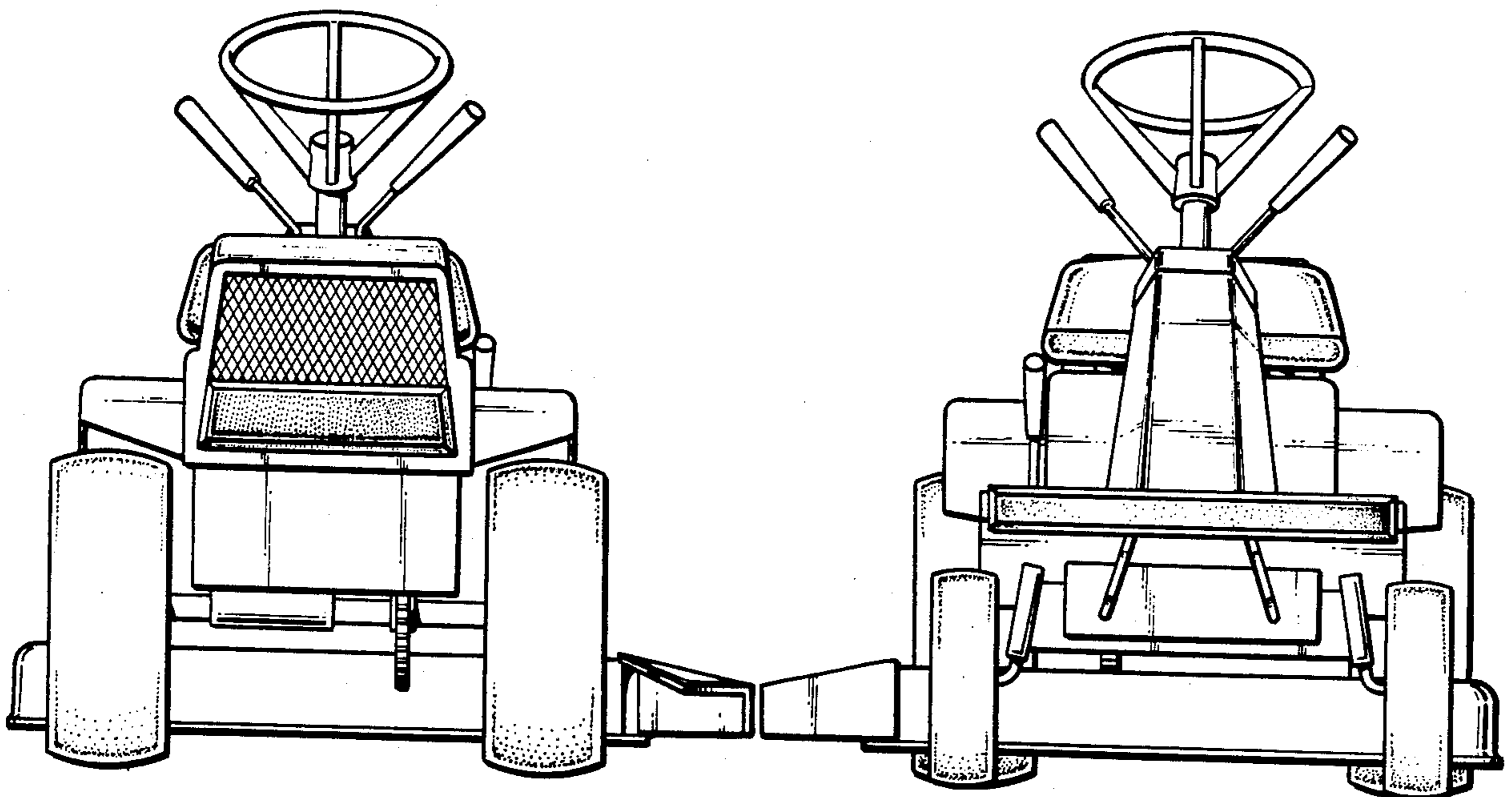
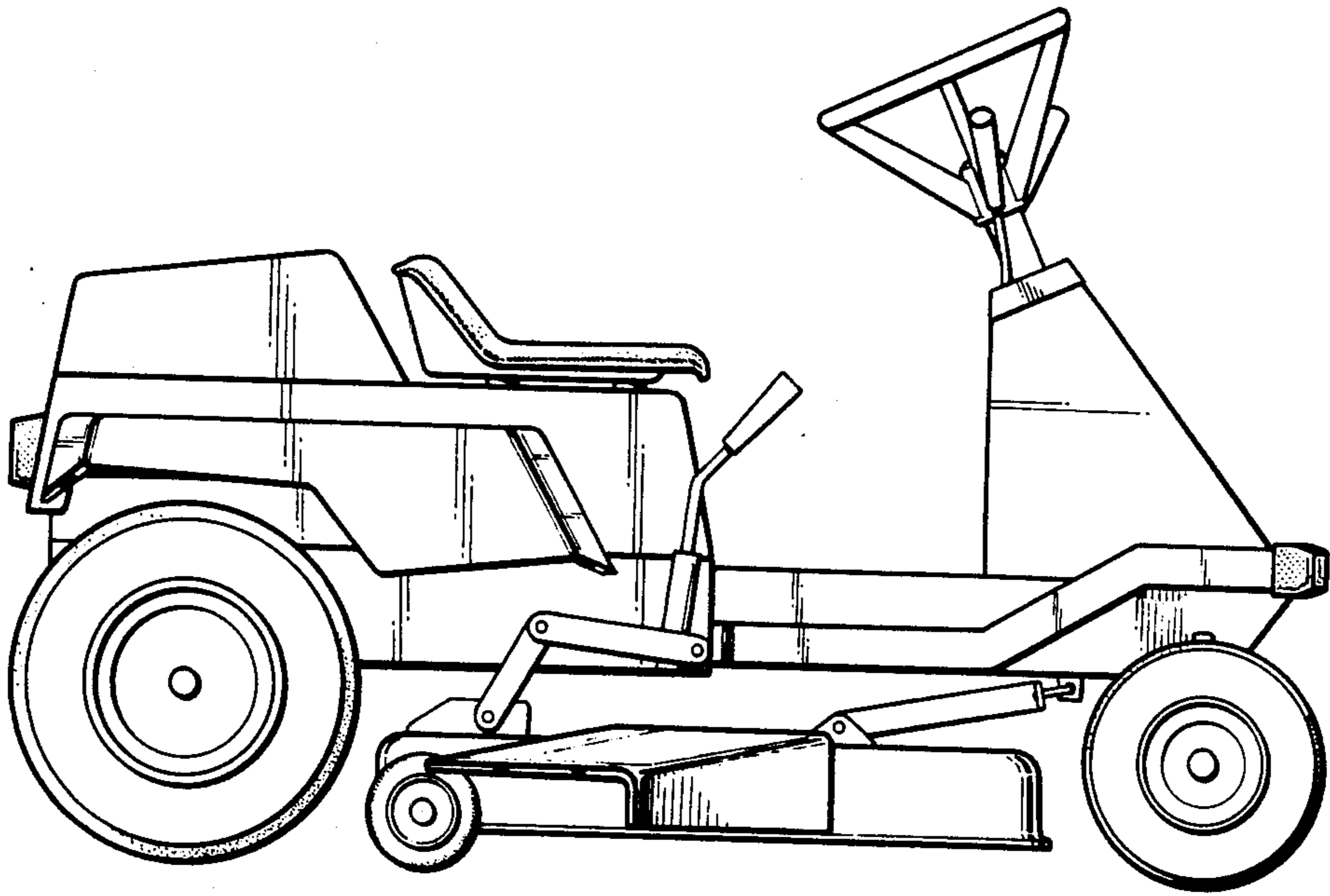


FIG. 4

FIG. 5