

# United States Patent [19]

Hirasa

[11] Des. 248,653

[45] \*\* Jul. 25, 1978

[54] **RADIO COMMUNICATION TRANSMITTER**

[75] Inventor: **Hiroshi Hirasa, Osaka, Japan**

[73] Assignee: **Matsushita Electric Industrial Co., Ltd., Kadoma, Japan**

[\*\*] Term: **14 Years**

[21] Appl. No.: **668,001**

[22] Filed: **Mar. 18, 1976**

[30] **Foreign Application Priority Data**

Sep. 19, 1975 [JP] Japan ..... 50-38364

[51] Int. Cl. .... **D14-03**

[52] U.S. Cl. .... **D14/95; D14/52**

[58] Field of Search ..... **D14/95, 68, 52; 325/16, 325/119, 111, 21, 114, 115, 116**

[56] **References Cited**

**U.S. PATENT DOCUMENTS**

D. 196,436	10/1963	Ingraham et al. ....	D14/95
D. 212,616	11/1968	Lepoix .....	D14/95
D. 218,170	7/1970	Kober .....	D14/94
D. 237,893	12/1975	Wennerstrom .....	D14/52

*Primary Examiner*—Bernard Ansher  
*Attorney, Agent, or Firm*—Richard C., Sughrue

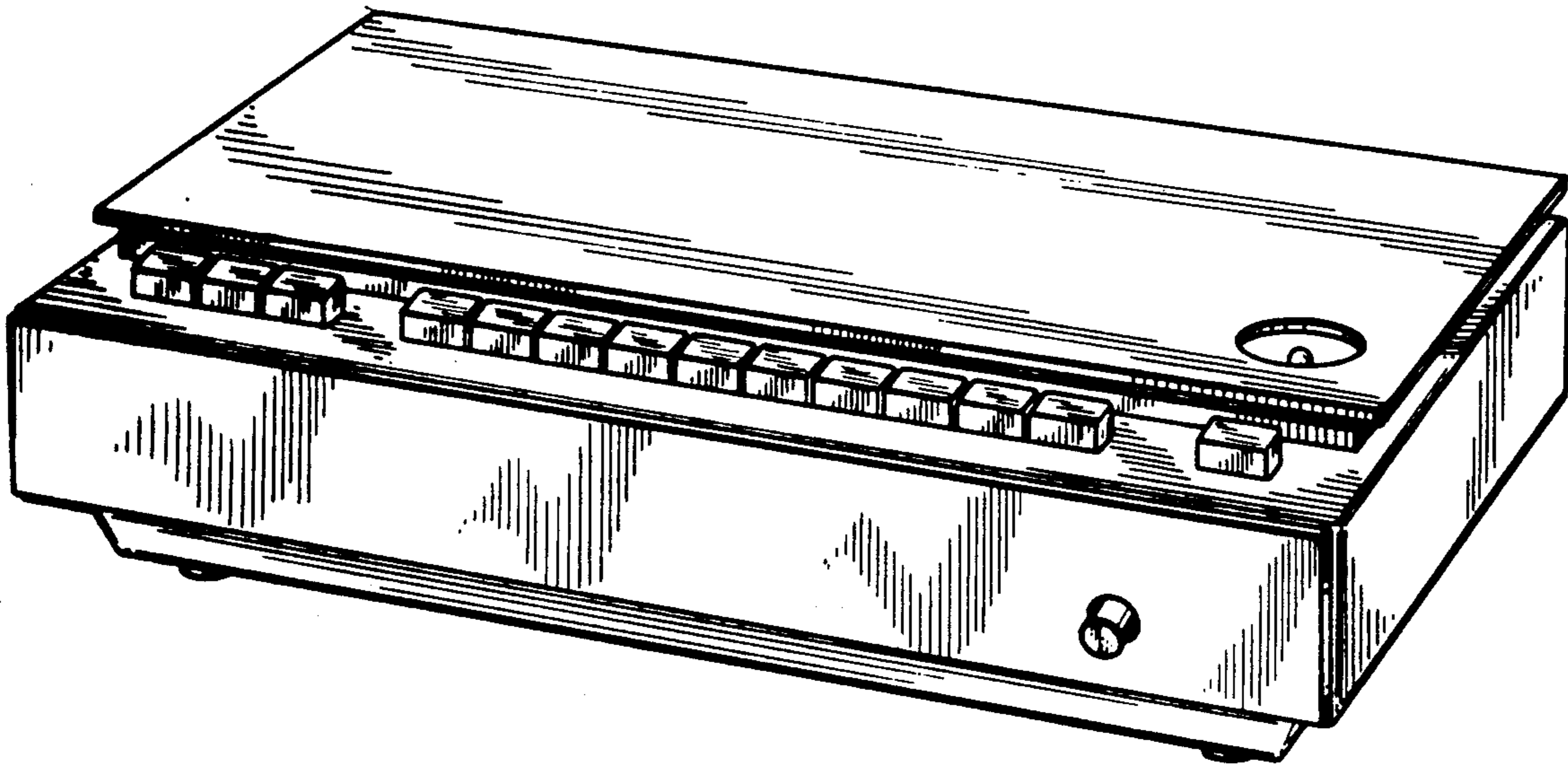
[57] **CLAIM**

The ornamental design for a radio communication transmitter, as shown.

**DESCRIPTION**

FIG. 1 is a front, top and right side perspective view of a radio communication transmitter showing my new design; and

FIG. 2 is a rear, bottom and left side perspective view.

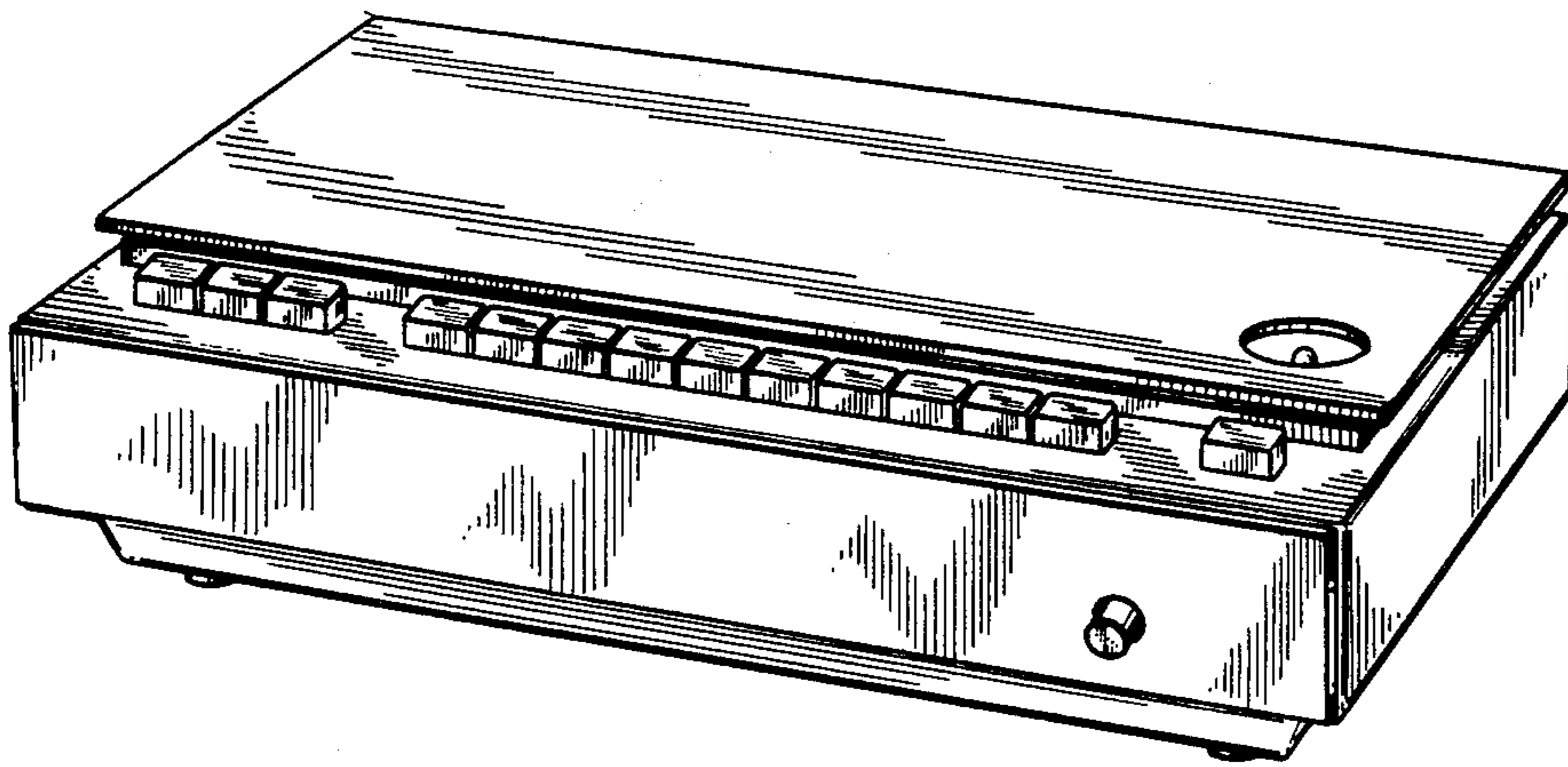


U.S. Patent

July 25, 1978

Des. 248,653

*Fig. 1*



*Fig. 2*

