

[54] RADIO CABINET

[75] Inventor: Robert F. Zivica, Walnut Creek, Calif.

[73] Assignee: Pro Sports Marketing, Inc., Concord, Calif.

[**] Term: 14 Years

[21] Appl. No.: 681,254

[22] Filed: Apr. 28, 1976

[51] Int. Cl. D14-03

[52] U.S. Cl. D14/69; D9/23; D9/200; D9/277; D10/6; D34/11 R

[58] Field of Search D14/1, 2, 5-7, D14/14, 16, 17, , 19, 25, 31-34, 36, 39, 40, 68-77, 20, 21, 23, 24, 35, 79-82, 84, 92, 94-96, 99; D10/6; D11/133, 157; D7/5, 56, 78; D34/11 R; D9/277, 23, 200; D87/3 C

[56] References Cited

U.S. PATENT DOCUMENTS

D. 162,829	4/1951	Hoeflich	D14/69
D. 229,579	12/1973	Fink	D14/69
D. 234,433	3/1975	Zivica	D11/133
D. 237,593	11/1975	Tibbs	D10/6
D. 243,578	3/1977	Danat	D7/5

Primary Examiner—Joel Stearman
Assistant Examiner—J. Corrigan
Attorney, Agent, or Firm—Andrew R. Basile

[57] CLAIM

The ornamental design for the radio cabinet, as shown.

DESCRIPTION

FIG. 1 is a top plan view of a radio cabinet showing my new design;
FIG. 2 is a left side elevational view;
FIG. 3 is a right side elevational view;
FIG. 4 is a bottom plan view;
FIG. 5 is a front elevational view;
FIG. 6 is a rear elevational view; and
FIG. 7 is a front, top and left side perspective view.

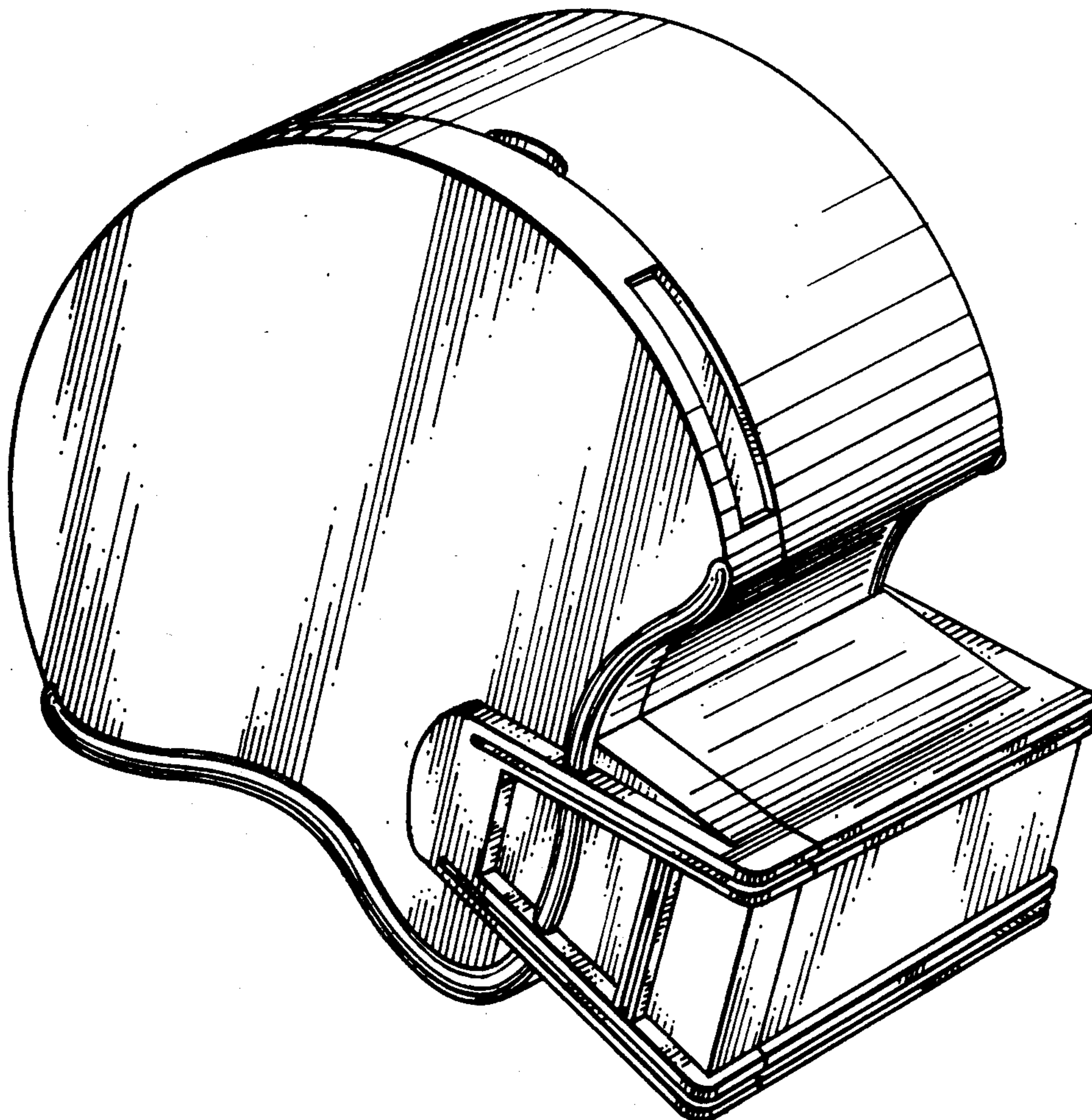


Fig-1

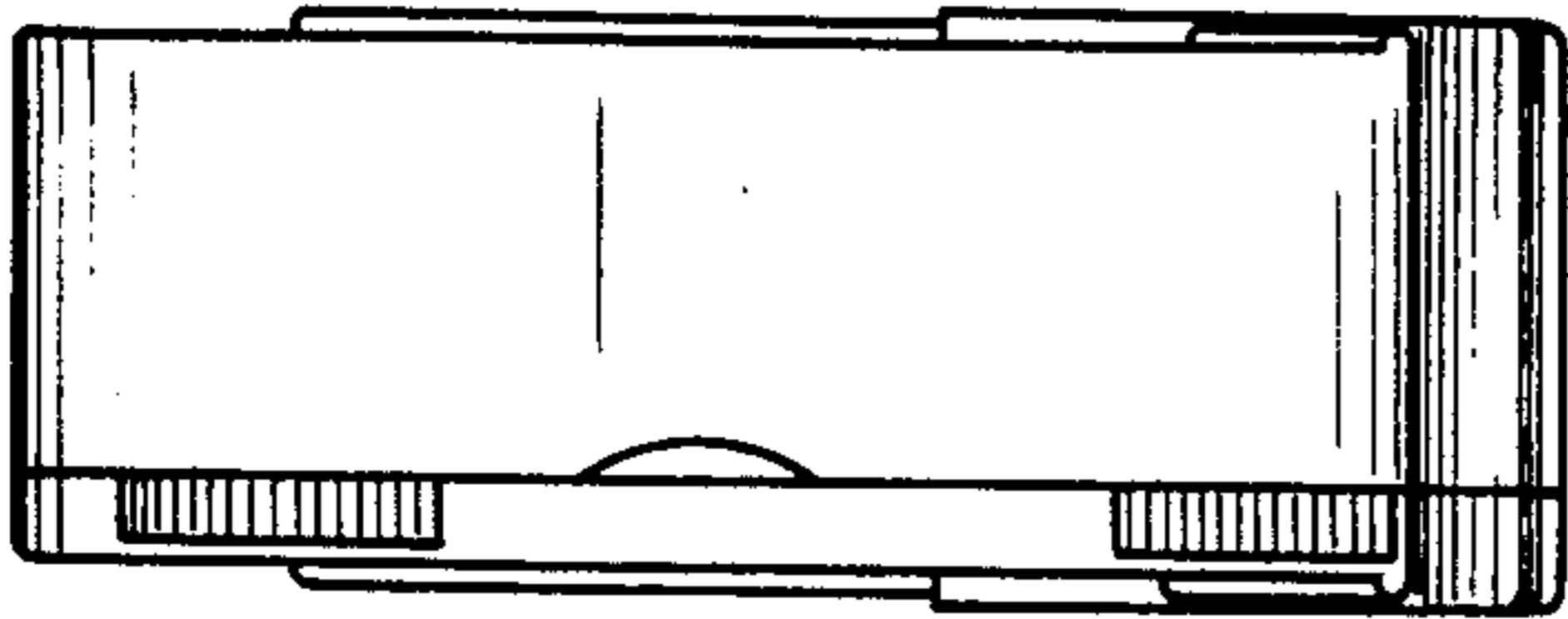


Fig-2

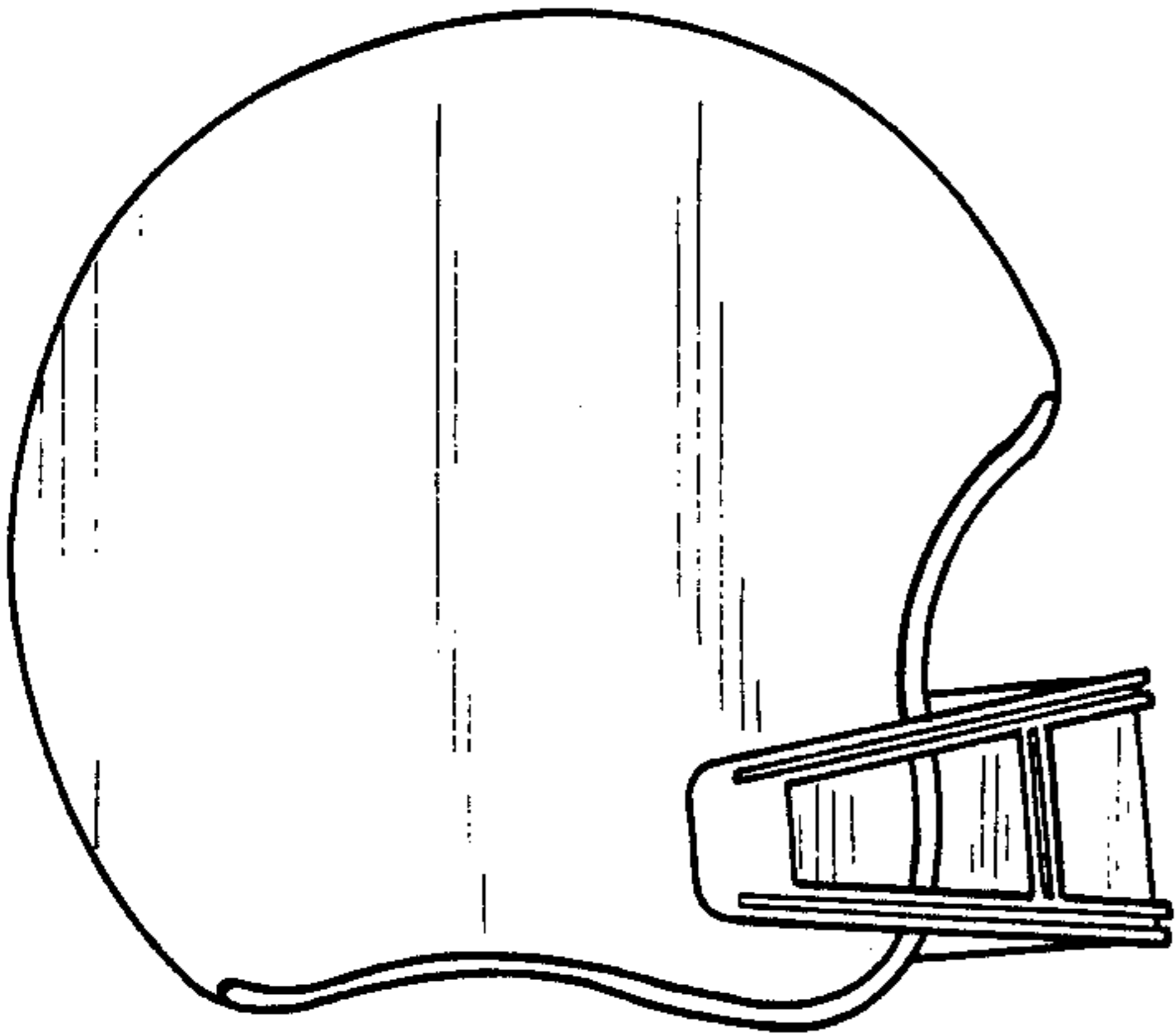


Fig-3

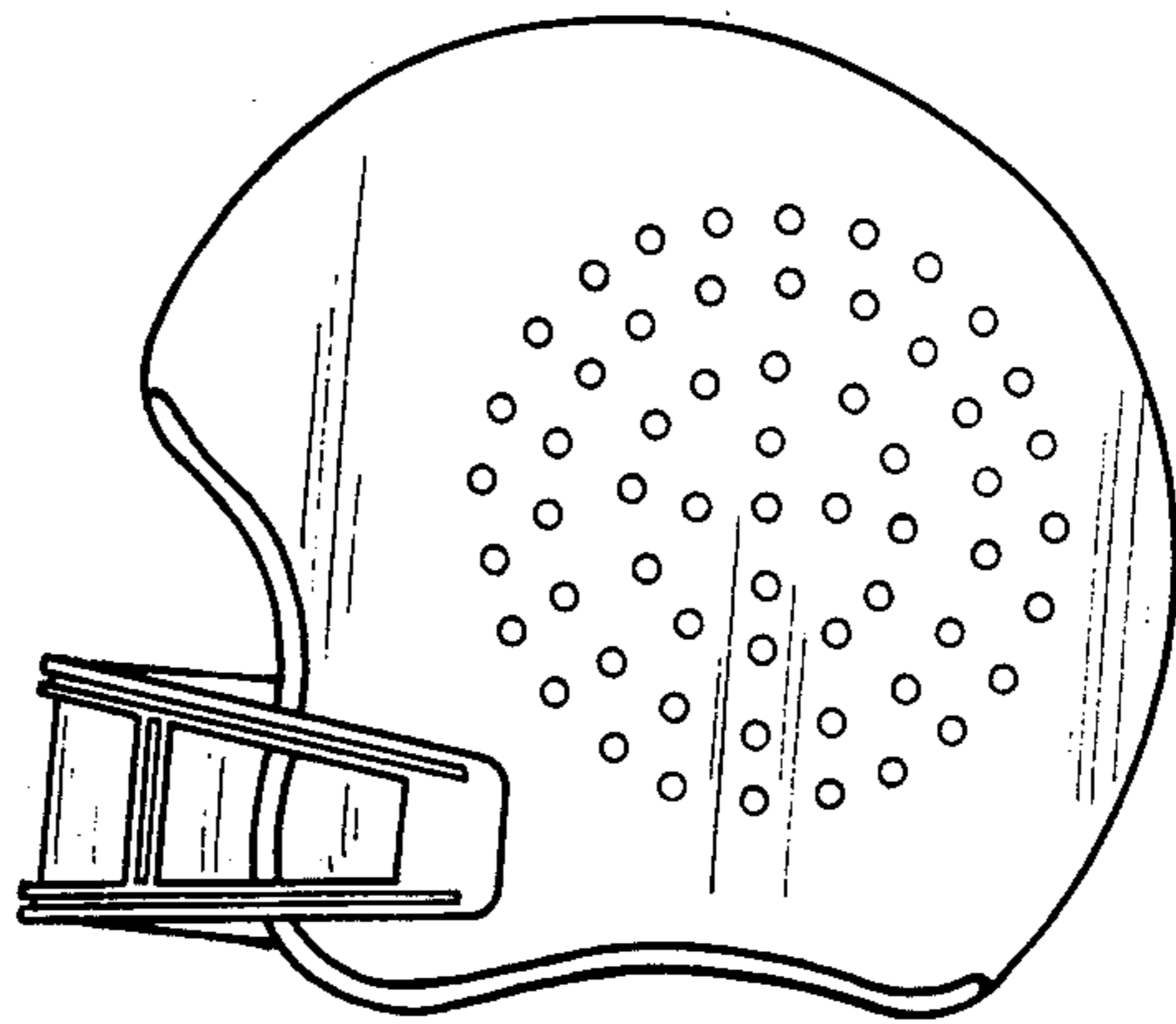


Fig-4

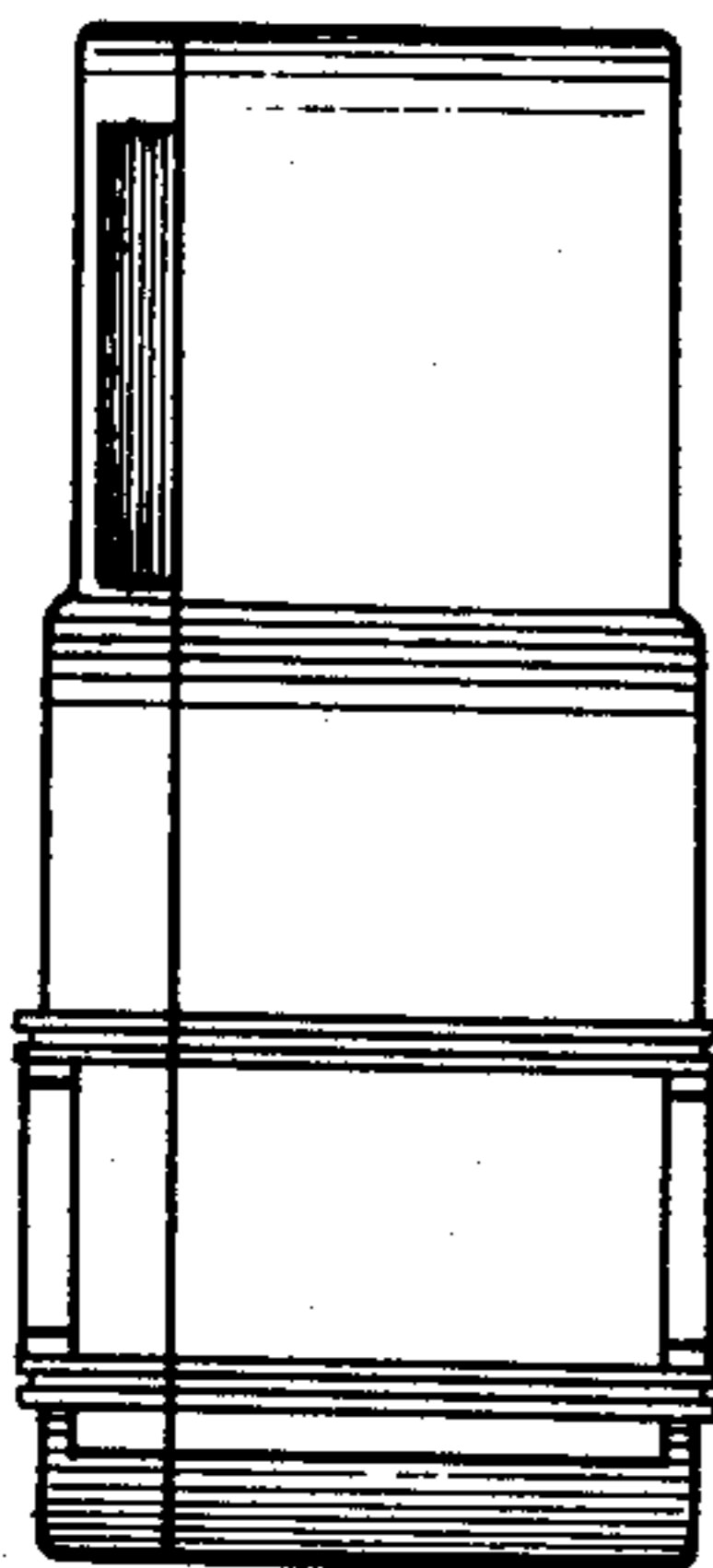
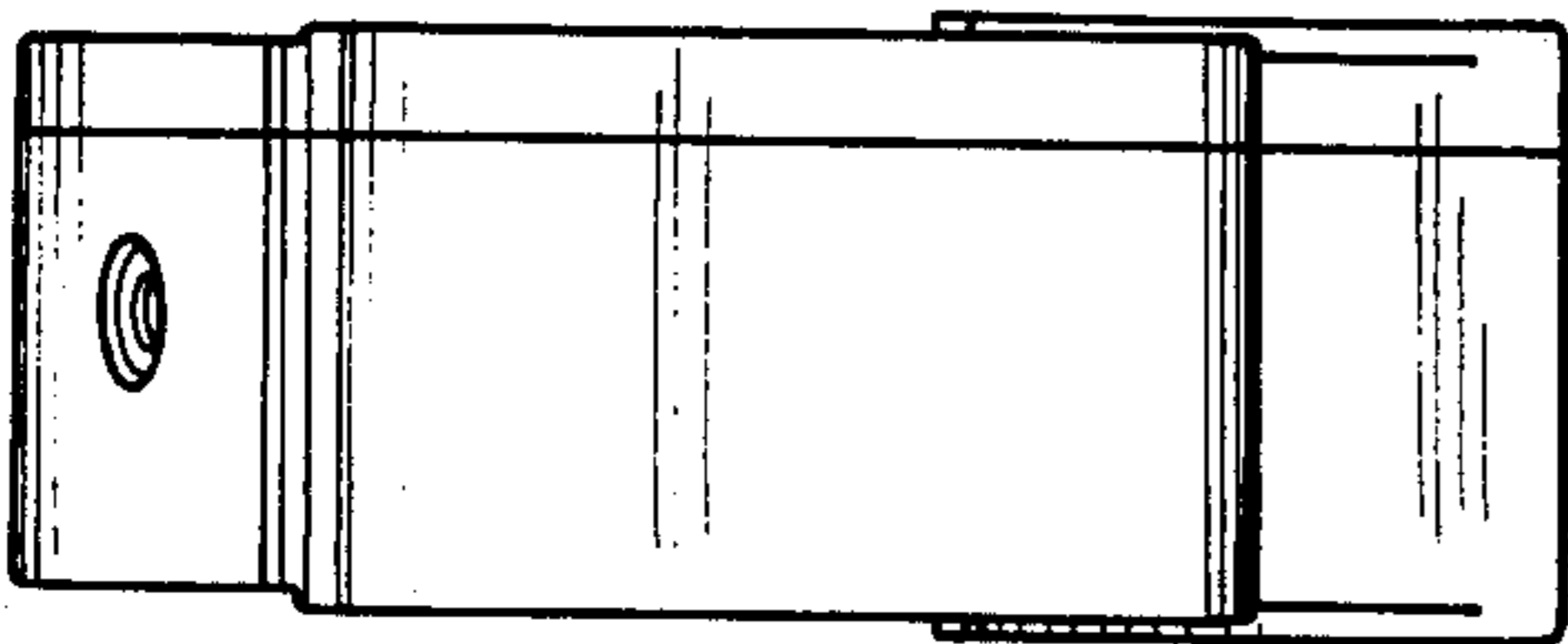


Fig-5

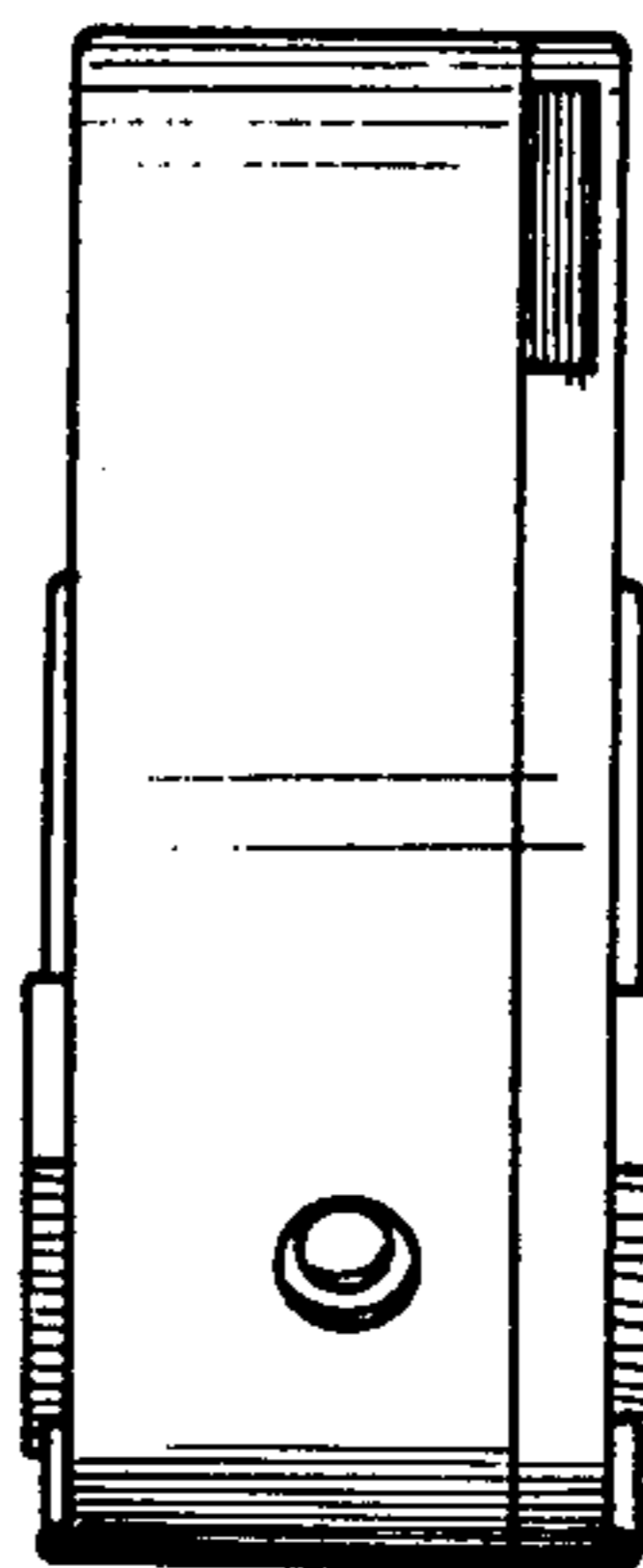


Fig-6

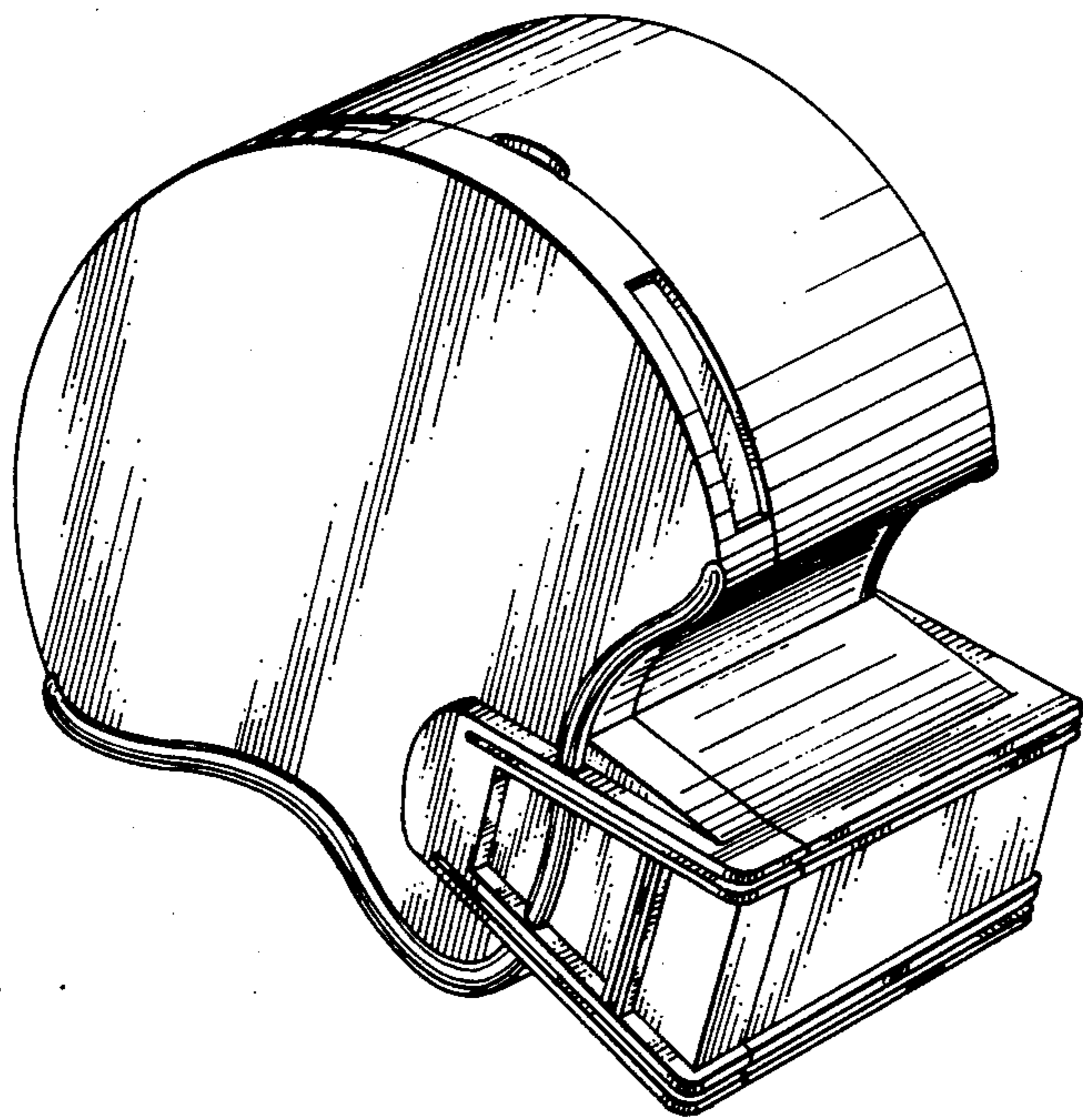


Fig-7