

United States Patent [19]

Clayton et al.

[11] **Des. 248,648**

[45] **** Jul. 25, 1978**

[54] **MODULAR DOCUMENT PROCESSING ENCODER**

[75] **Inventors:** Richard G. Clayton, Detroit; Robert C. Schade, Farmington Hills, both of Mich.

[73] **Assignee:** Burroughs Corporation, Detroit, Mich.

[**] **Term:** 14 Years

[21] **Appl. No.:** 699,430

[22] **Filed:** Jun. 24, 1976

Related U.S. Application Data

[63] Continuation-in-part of Ser. No. 574,723, May 5, 1975, abandoned.

[51] **Int. Cl.** D14-02

[52] **U.S. Cl.** D14/40; D14/44

[58] **Field of Search** D14/40, 41, 42, 43, D14/44, 47

[56] **References Cited**

U.S. PATENT DOCUMENTS

D. 205,513	8/1966	Hockenberry	D14/47
D. 236,351	8/1975	Clayton et al.	D14/43
D. 238,492	1/1976	Clayton	D14/44
D. 243,956	4/1977	Clayton et al.	D14/43

Primary Examiner—Wallace R. Burke

Assistant Examiner—Catherine Kemper

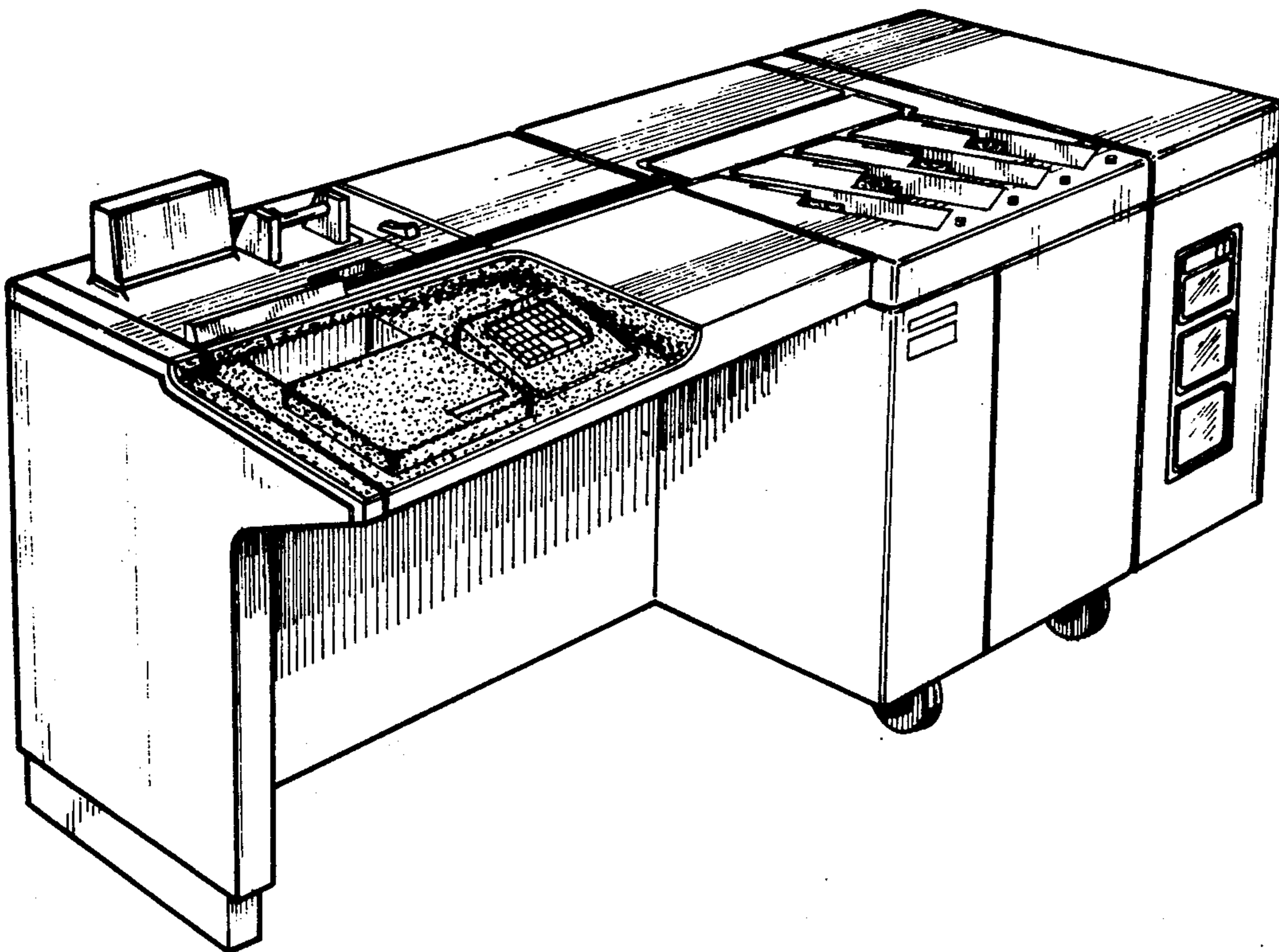
Attorney, Agent, or Firm—Kevin R. Peterson

[57] **CLAIM**

The ornamental design for a modular document processing encoder, substantially as shown.

DESCRIPTION

FIG. 1 is a front perspective view of a modular document processing encoder showing our new design; and FIG. 2 is a rear perspective view thereof.



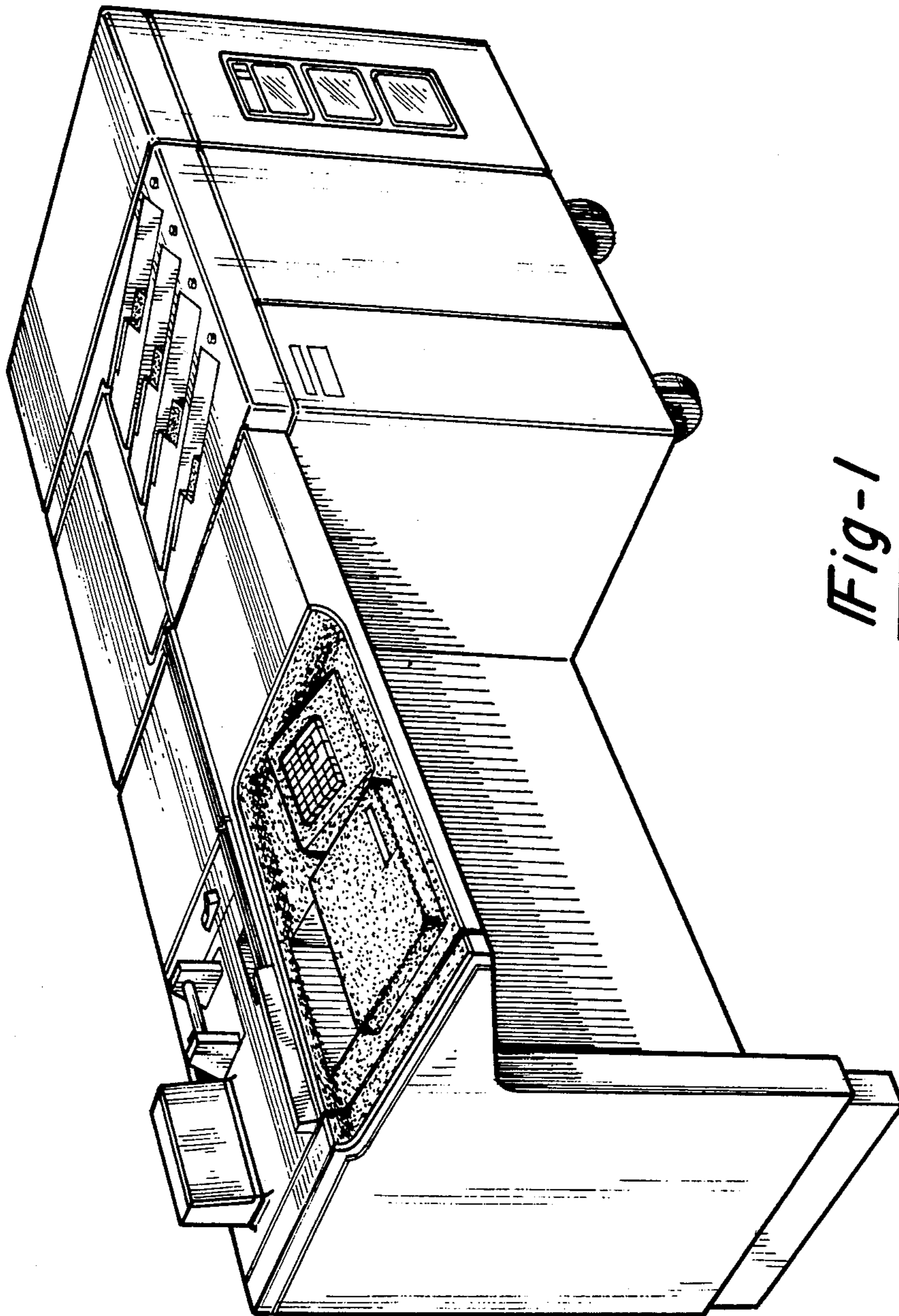


Fig-1

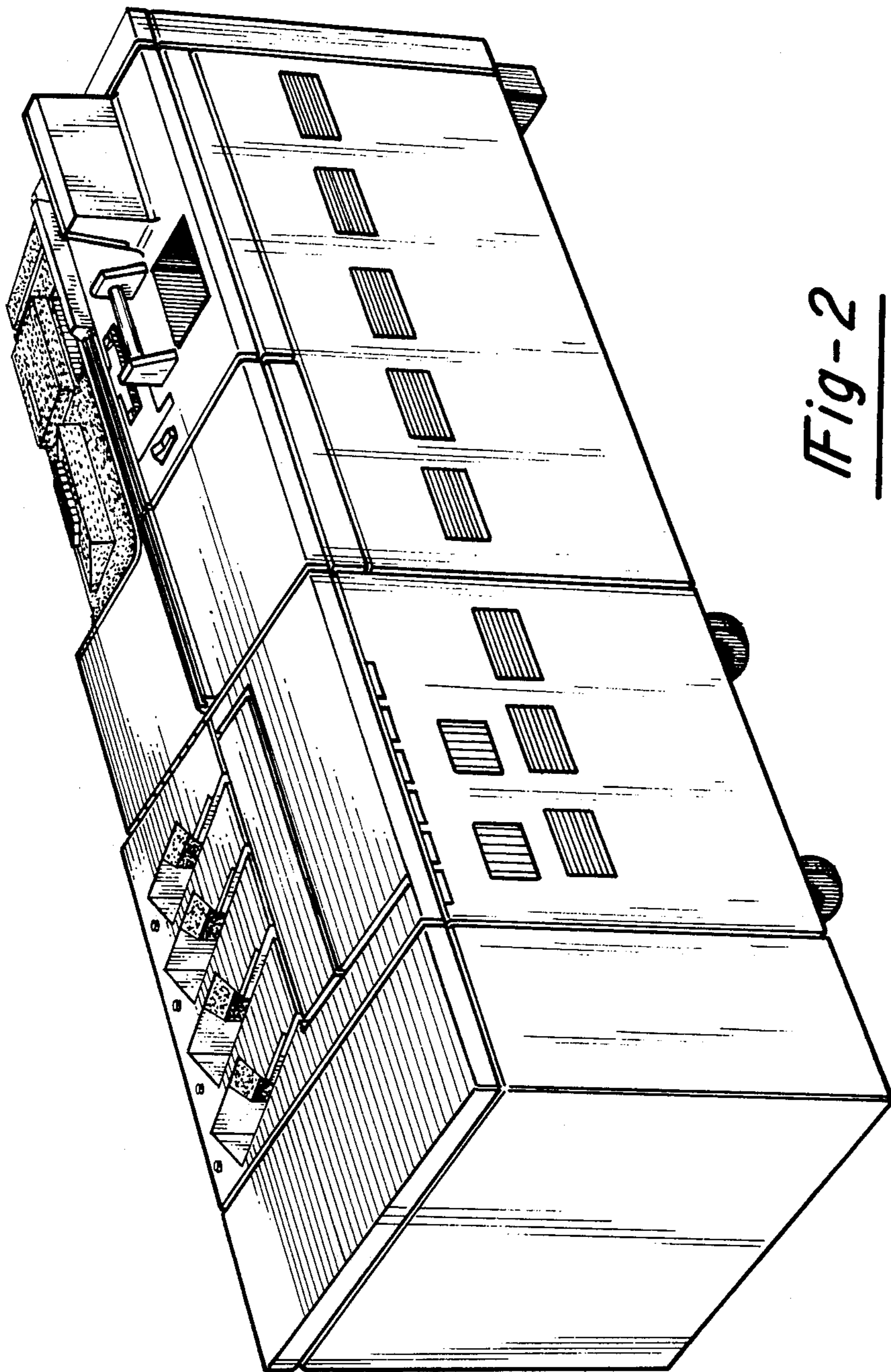


Fig-2