

[54] LOUDSPEAKER

[75] Inventor: Dale A. Nussdorfer, Anaheim, Calif.

[73] Assignee: Altec Corporation, Anaheim, Calif.

[**] Term: 14 Years

[21] Appl. No.: 676,851

[22] Filed: Apr. 14, 1976

[51] Int. Cl. D14-01

[52] U.S. Cl. D14/30

[58] Field of Search 179/1 E, 179, 115 R;
D14/30; 181/198, 199, 174

[56] References Cited

U.S. PATENT DOCUMENTS

D. 188,541	8/1960	Matsuoka et al.	D14/30
D. 192,290	2/1972	Johnson et al.	D14/30
D. 239,538	4/1976	Wagner	D14/30

OTHER PUBLICATIONS

Stereo/HiFi, 1963, Directory, p. 95, Electro-Voice Loudspeaker.
Cerwin-Vega Speaker Brochure, Received Feb. 1975, Loudspeaker, lower right center of page.
Radio Shack Electronics, Cat., No. 263, © 1975. p. 51, Item E, Loudspeaker.

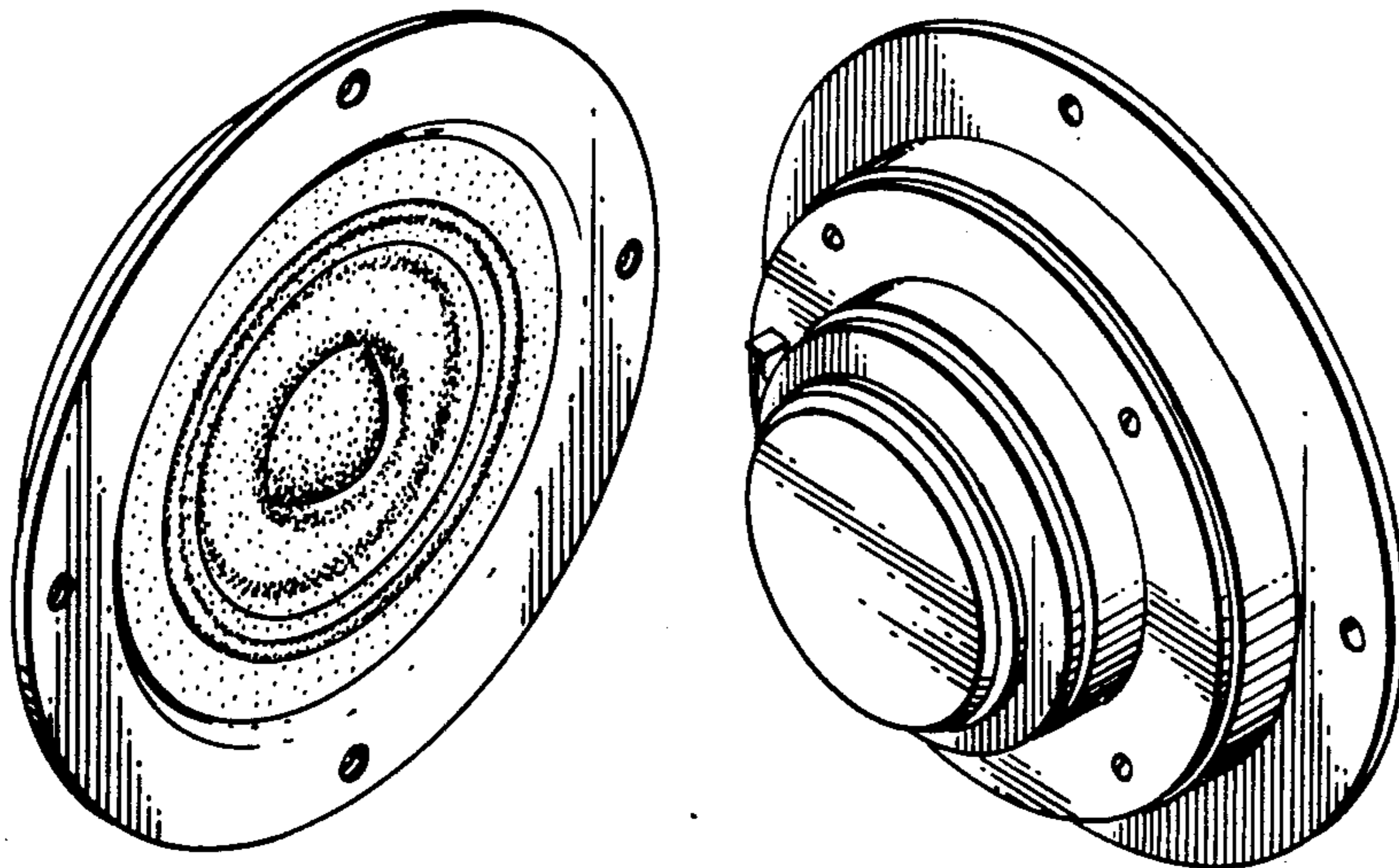
Primary Examiner—Bernard Ansher
Attorney, Agent, or Firm—Edward A. Sokolski

[57] CLAIM

The ornamental design for a loudspeaker, as shown.

DESCRIPTION

FIG. 1 is a front perspective view of a loudspeaker showing my new design;
FIG. 2 is a rear perspective view of a loudspeaker;
FIG. 3 is a rear elevational view of a loudspeaker;
FIG. 4 is a side elevational view of a loudspeaker; and
FIG. 5 is a front elevational view of a loudspeaker.



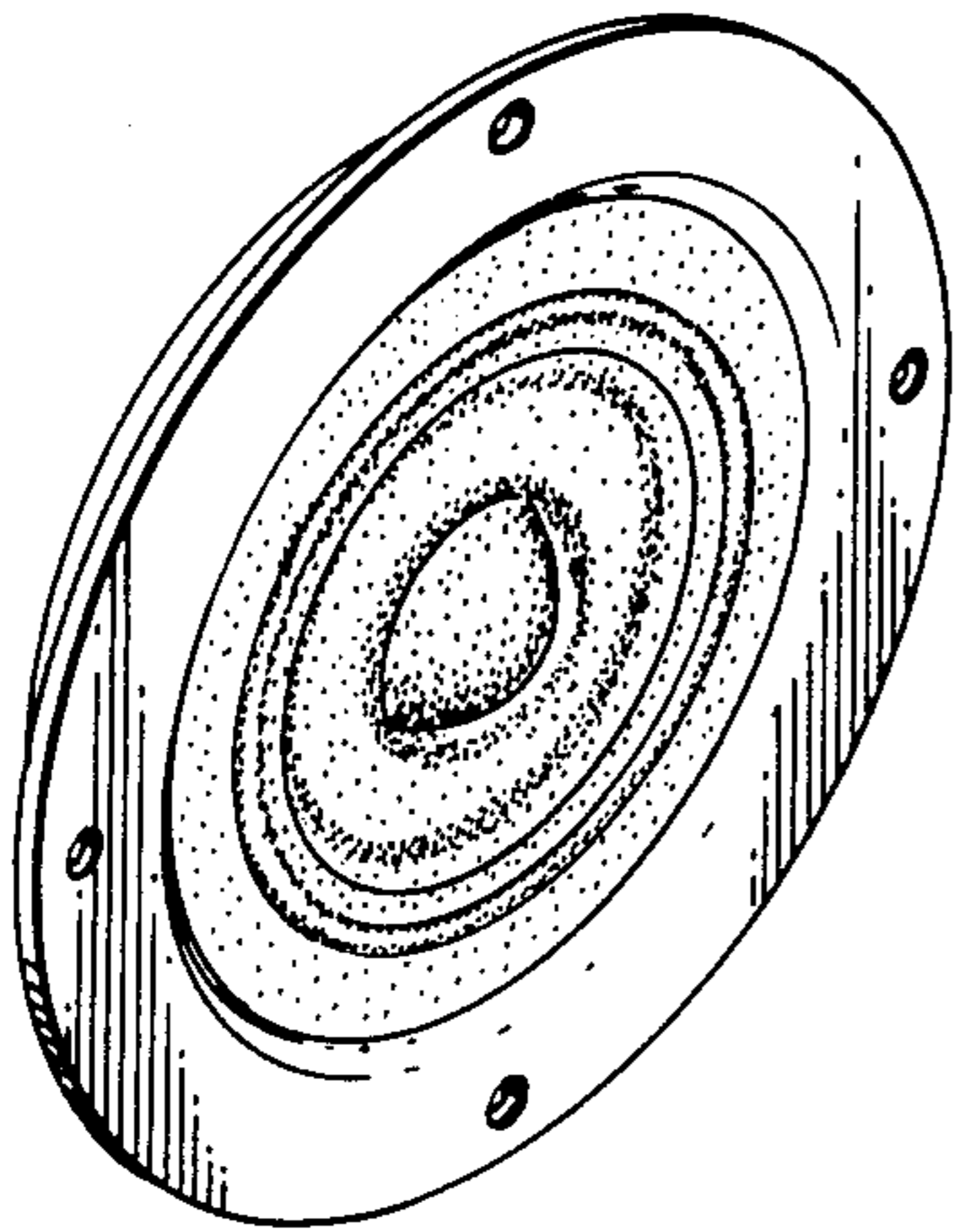


Fig. 1

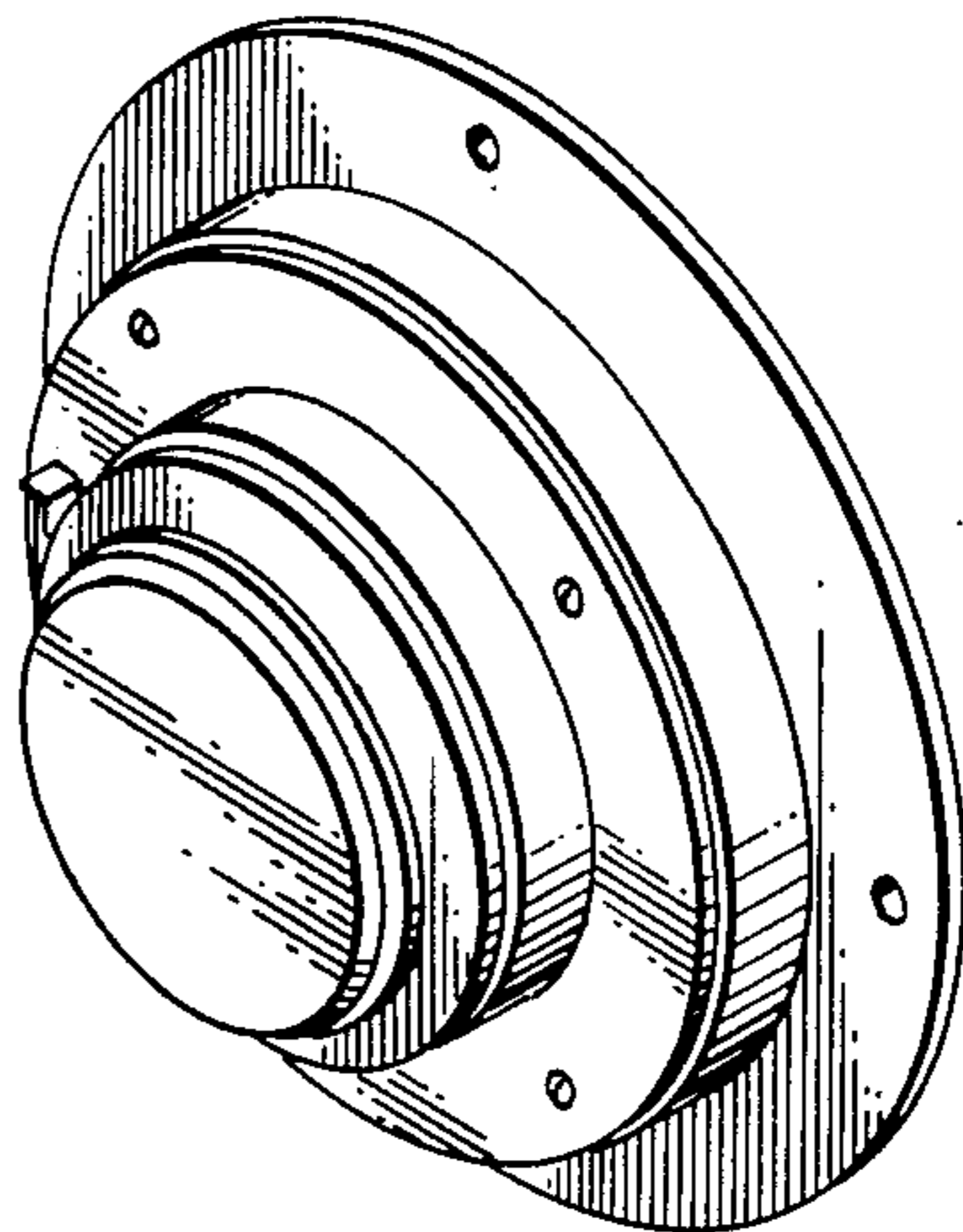


Fig. 2

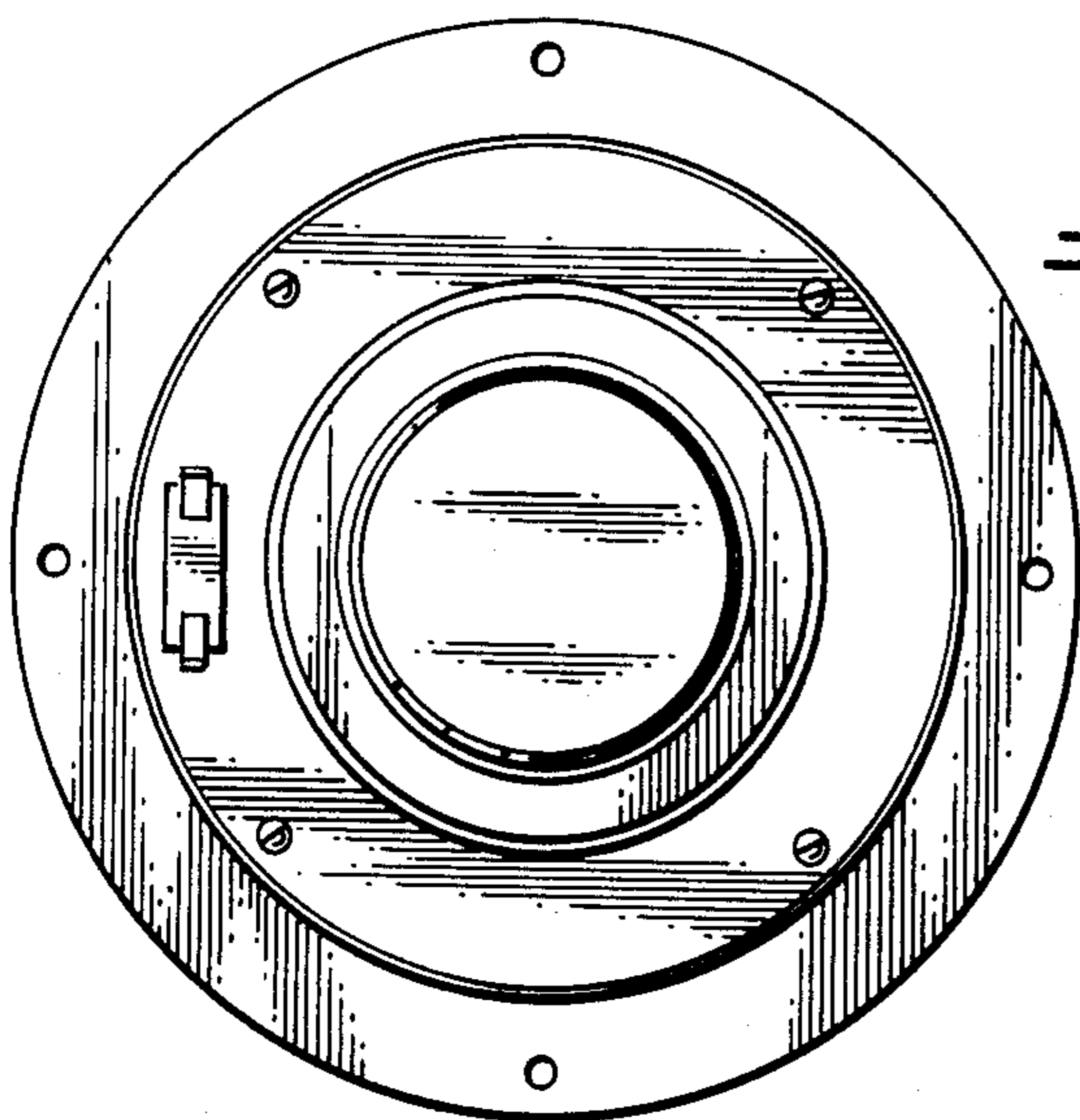


Fig. 3

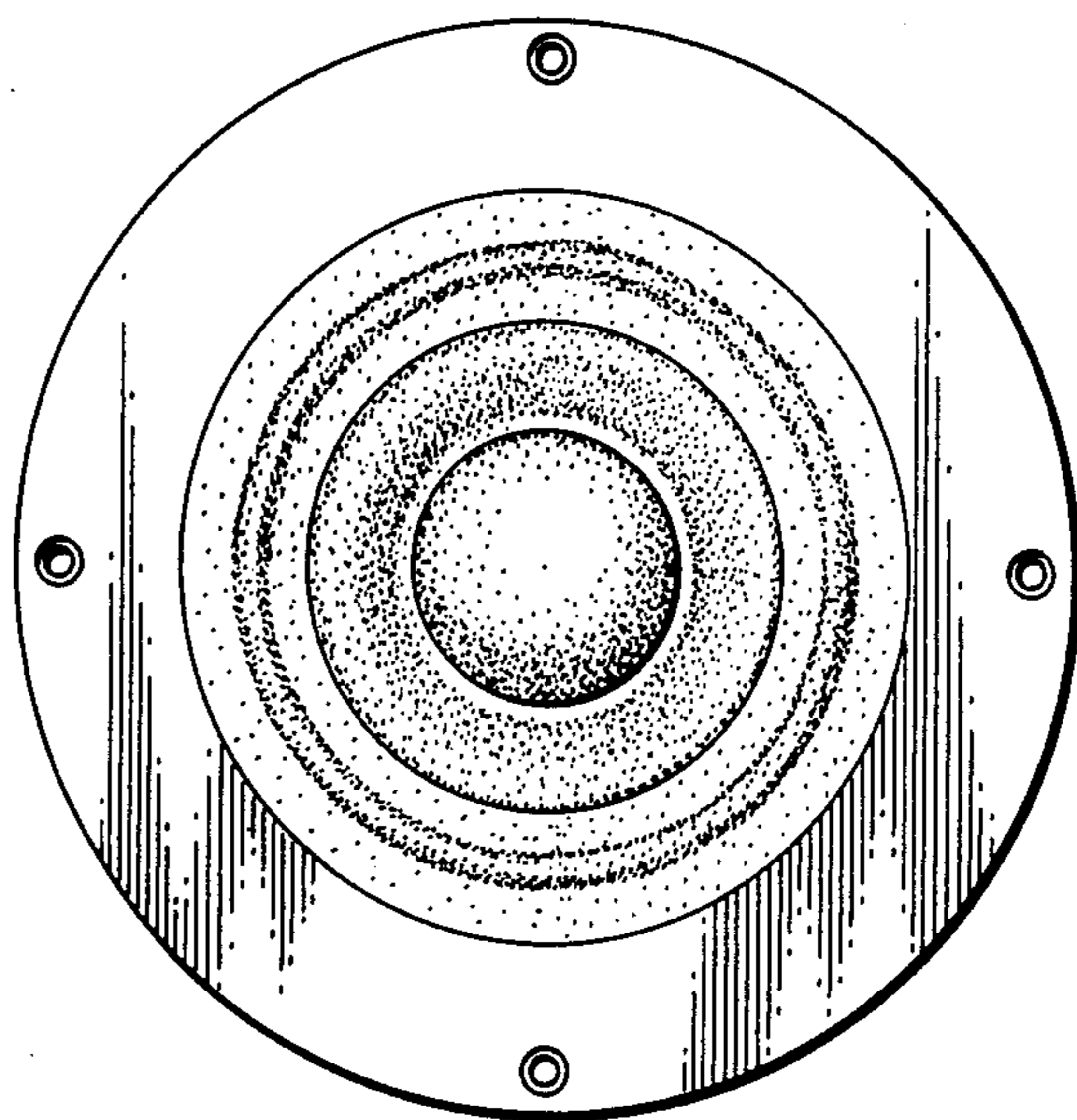


Fig. 4

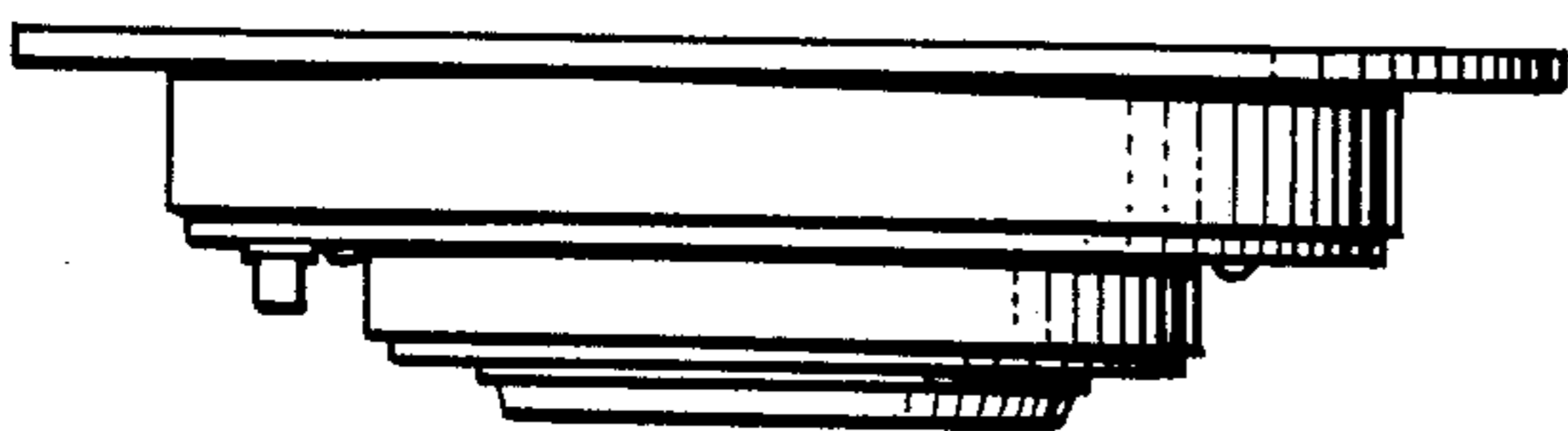


Fig. 5