

[54] **AUTOMOBILE ACCESSORY MOUNT**

[56]

References Cited

U.S. PATENT DOCUMENTS

D. 233,428 10/1974 Hestand D12/155
3,658,219 4/1972 van Ordt 224/42.42 R

OTHER PUBLICATIONS

J. C. Whitney Catalog No. 334, rec'd. 1/27/75, p. 15,
Mini-Floor Mount, top left side of page.

Primary Examiner—Wallace R. Burke
Assistant Examiner—James M. Gandy

[57]

CLAIM

The ornamental design for an automobile accessory
mount, as shown.

DESCRIPTION

FIG. 1 is a rear and left side perspective view of an
automobile accessory mount showing my new design;
and
FIG. 2 is a front and right side perspective view thereof.

[76] **Inventor:** Harvey L. Stanley, 3312 Lancelot,
Dallas, Tex. 75229

[**] **Term:** 14 Years

[21] **Appl. No.:** 614,543

[22] **Filed:** Sep. 18, 1975

[51] **Int. Cl.** D12-16

[52] **U.S. Cl.** D12/155

[58] **Field of Search** D12/155, 157; 224/29 R,
224/42.11, 42.4, 42.42 R, 42.45 R; 108/47, 48,
44; 248/14, 13; 296/1 R; 312/7 R

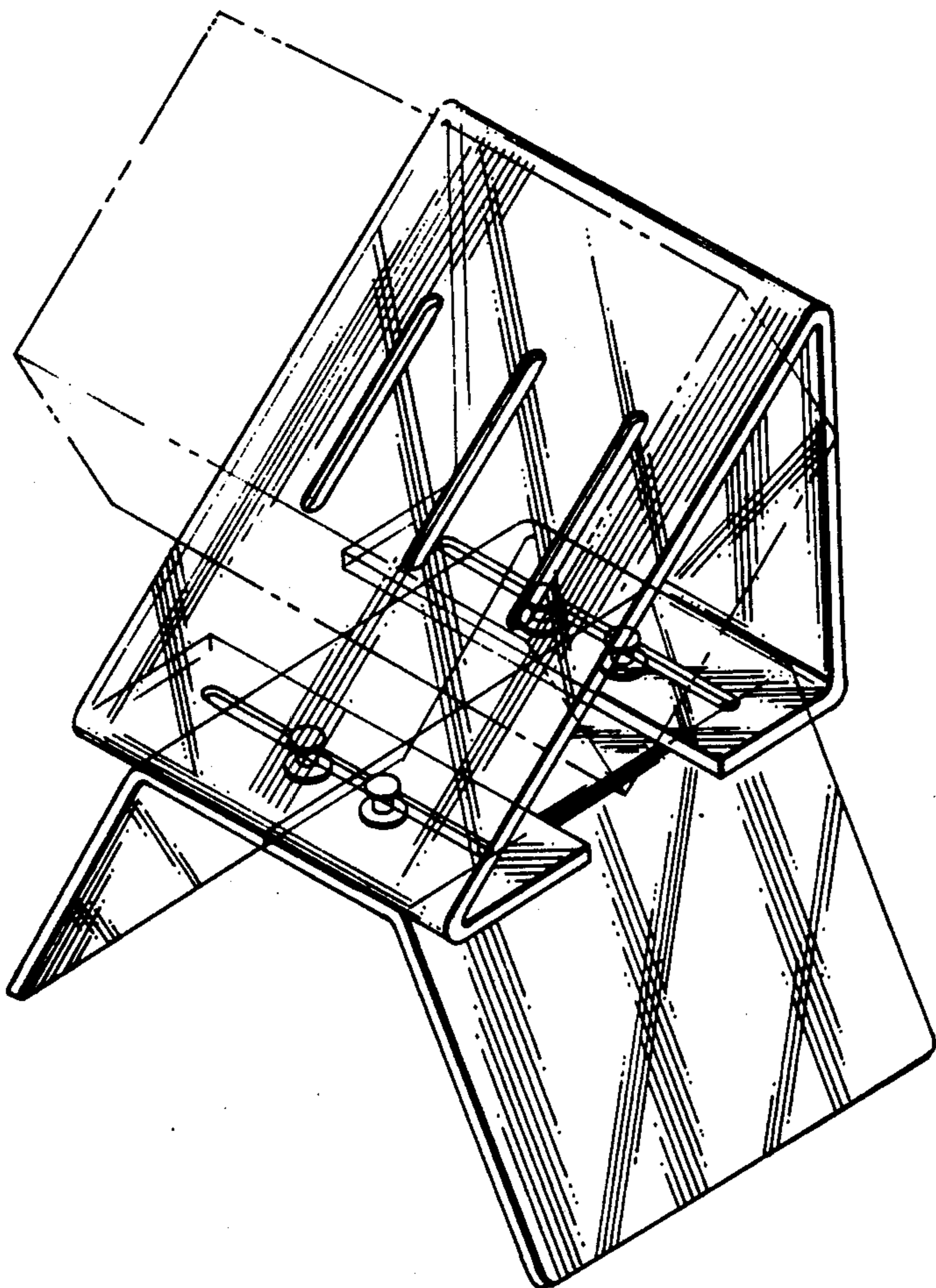


FIG. 1

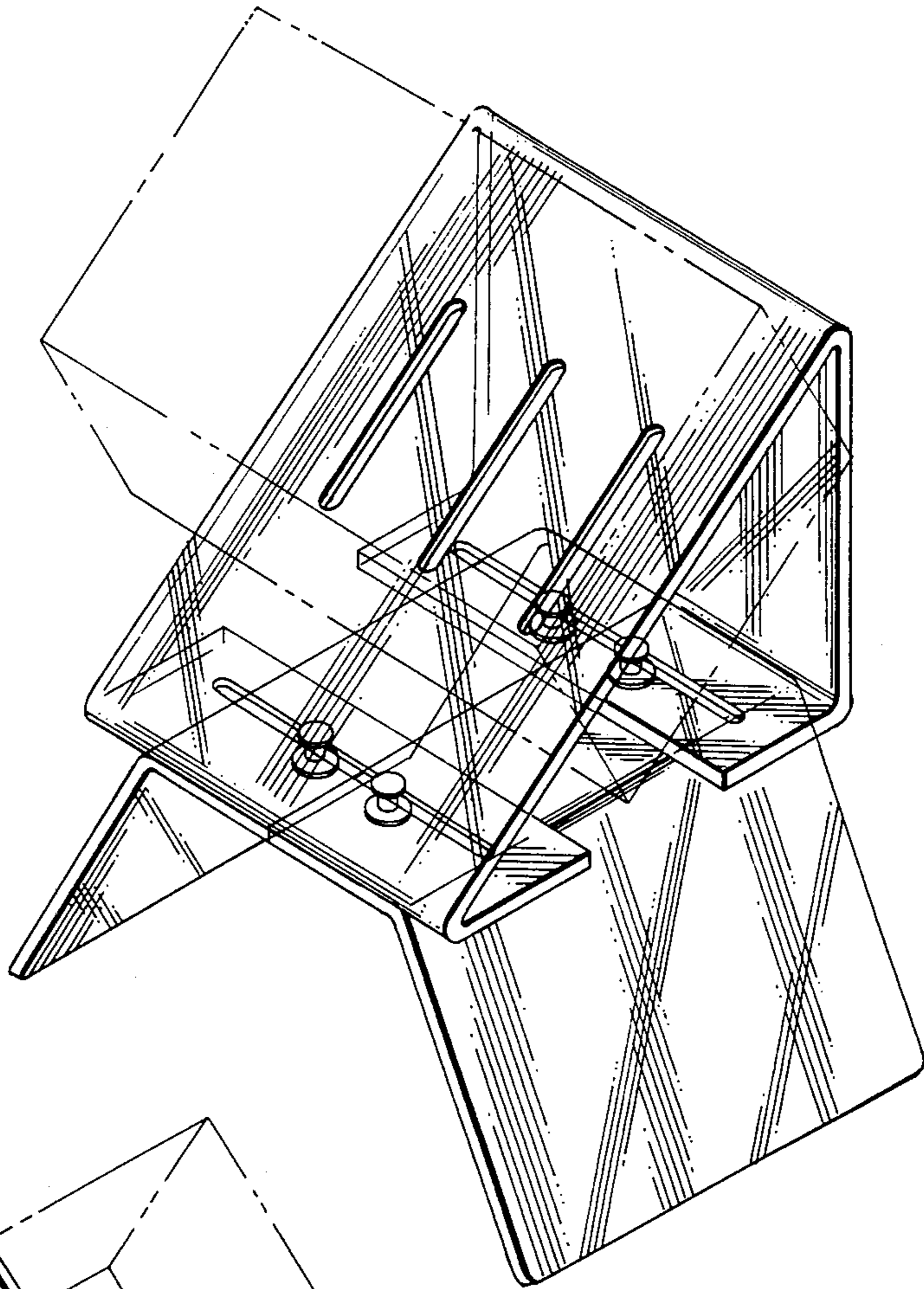


FIG. 2

