

[54] BICYCLE PEDAL

[75] Inventors: Carlton P. Pawsat; Robert F. Humlong, both of Maysville, Ky.

[73] Assignee: Wald Manufacturing Company, Inc., Maysville, Ky.

[**] Term: 14 Years

[21] Appl. No.: 727,314

[22] Filed: Sep. 27, 1976

[51] Int. Cl. D12-11

[52] U.S. Cl. D12/125

[58] Field of Search D12/125; 74/594.4

[56] References Cited

U.S. PATENT DOCUMENTS

D. 223,075 3/1972 Pawsat et al. D12/125

FOREIGN PATENT DOCUMENTS

1,236,493 6/1960 France 74/594.4
698,412 11/1940 Fed. Rep. of Germany 74/594.4
938,051 1/1956 Fed. Rep. of Germany 74/594.4

OTHER PUBLICATIONS

American Bicyclist & Motorcyclist, 8/76, p. 28, Pedal, top left side of page.

Primary Examiner—Wallace R. Burke
Assistant Examiner—James M. Gandy
Attorney, Agent, or Firm—J. Warren Kinney, Jr.

[57] CLAIM

The ornamental design for a bicycle pedal, as shown and described.

DESCRIPTION

FIG. 1 is a top perspective view of one end of a bicycle pedal showing our new design.

FIG. 2 is a top perspective view of the opposite end thereof.

FIG. 3 is an elevational view of the side shown in FIG. 1.

FIG. 4 is an elevational view of the left end of FIG. 1.

FIG. 5 is an elevational view of the left end of FIG. 2.

FIG. 6 is a sectional view taken on line 6-6 of FIG. 3.

The bottom of the bicycle pedal is substantially a mirror image of the top shown in FIGS. 1 and 2.

The characteristic feature of our design resides in the pedal blocks which completely circumscribe the elongate reflective surfaces on the sides of the pedal.

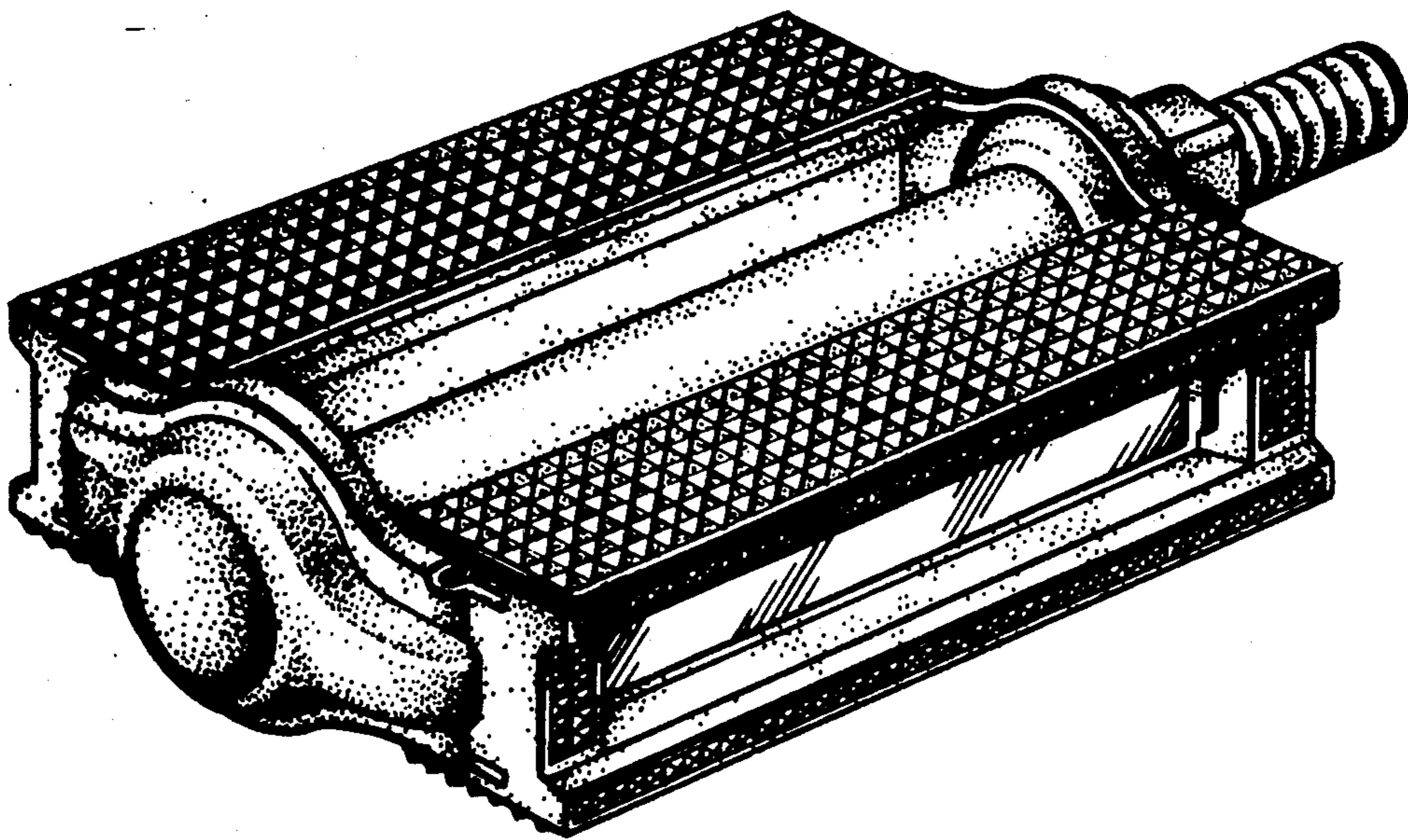


FIG-1

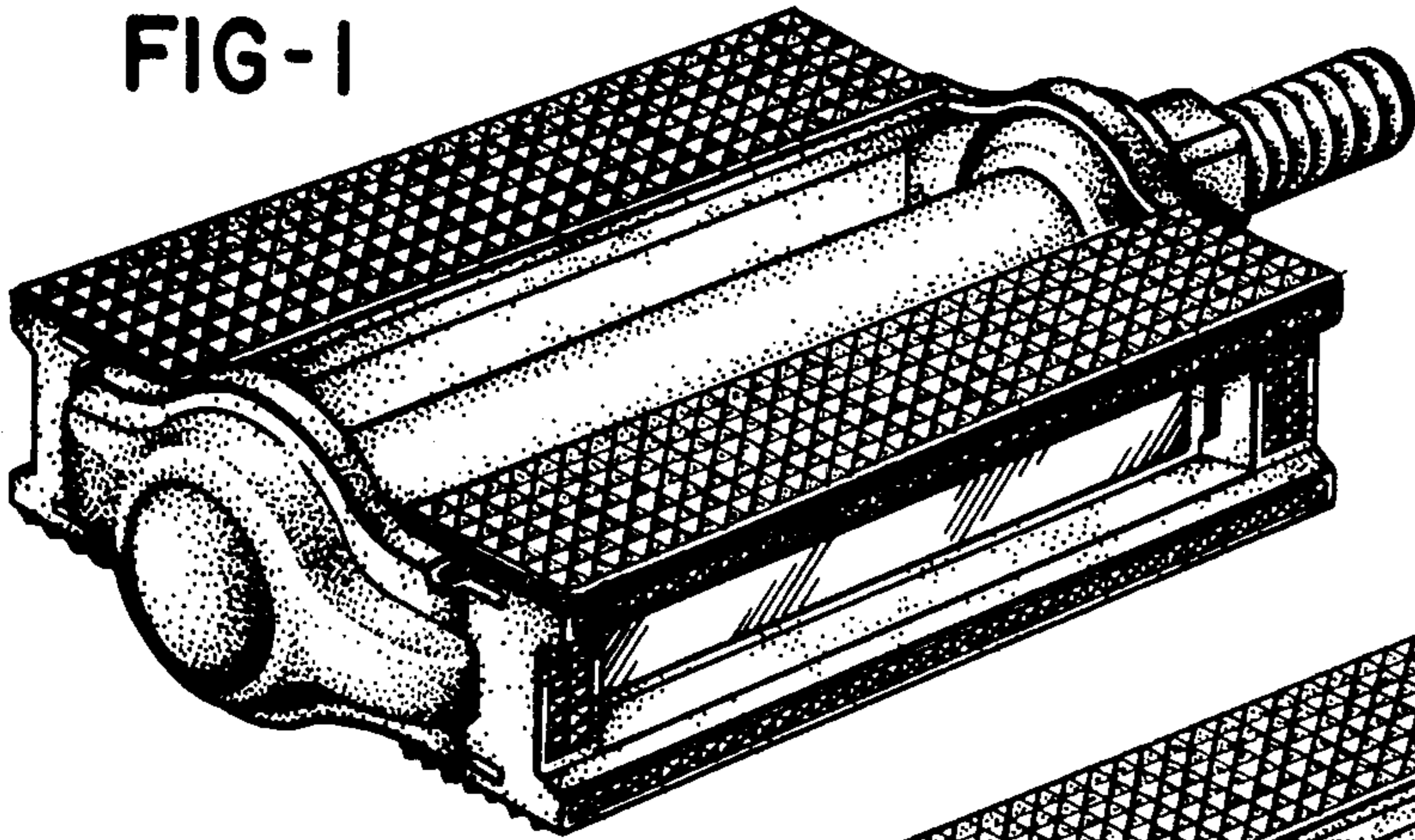


FIG-2

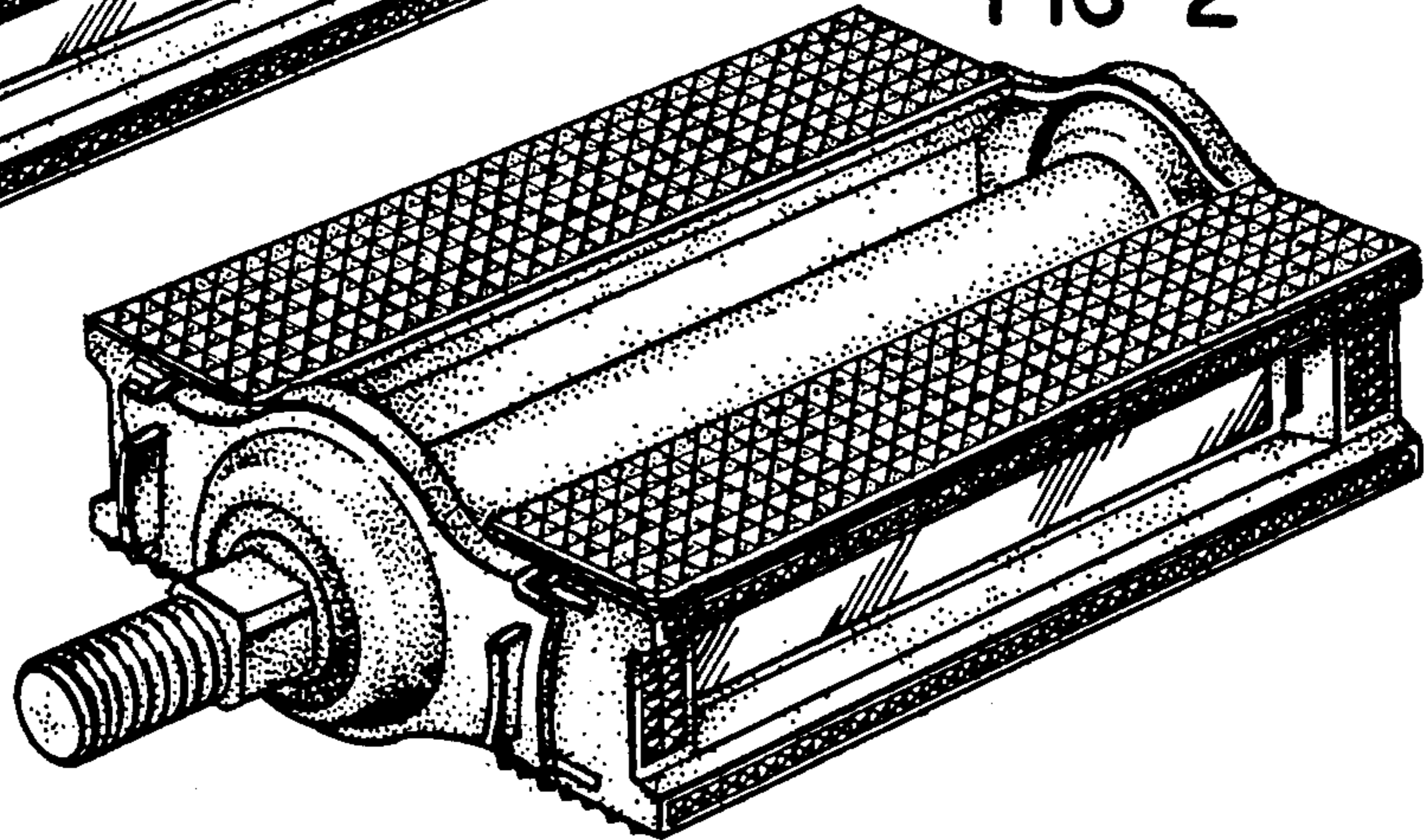


FIG-3

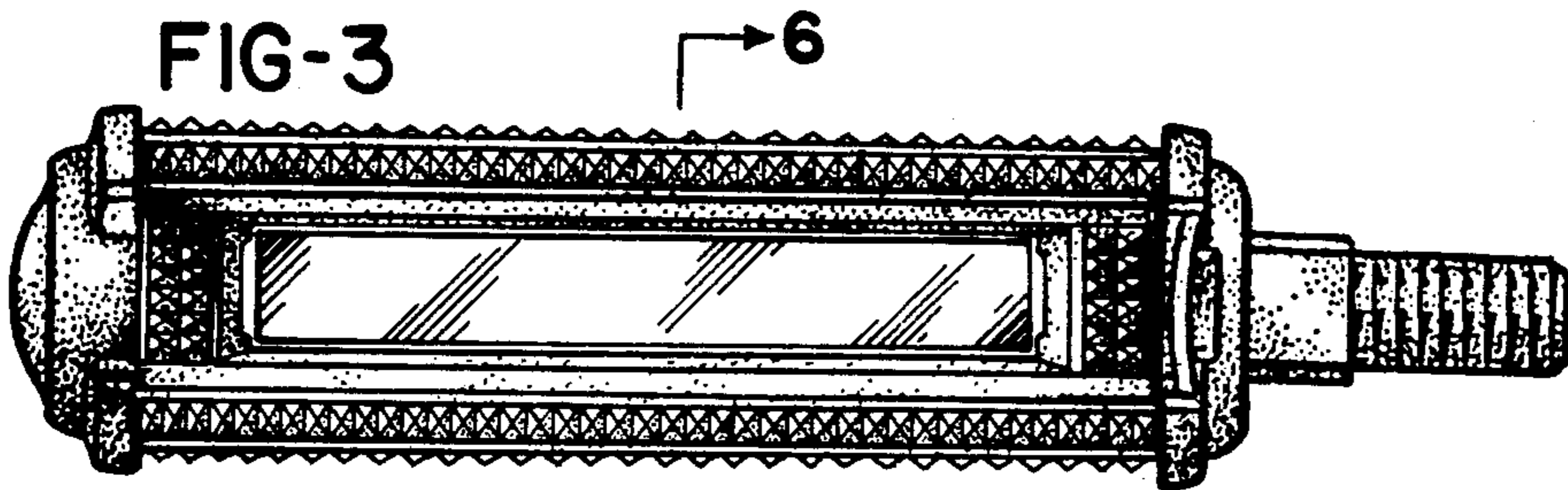


FIG-4

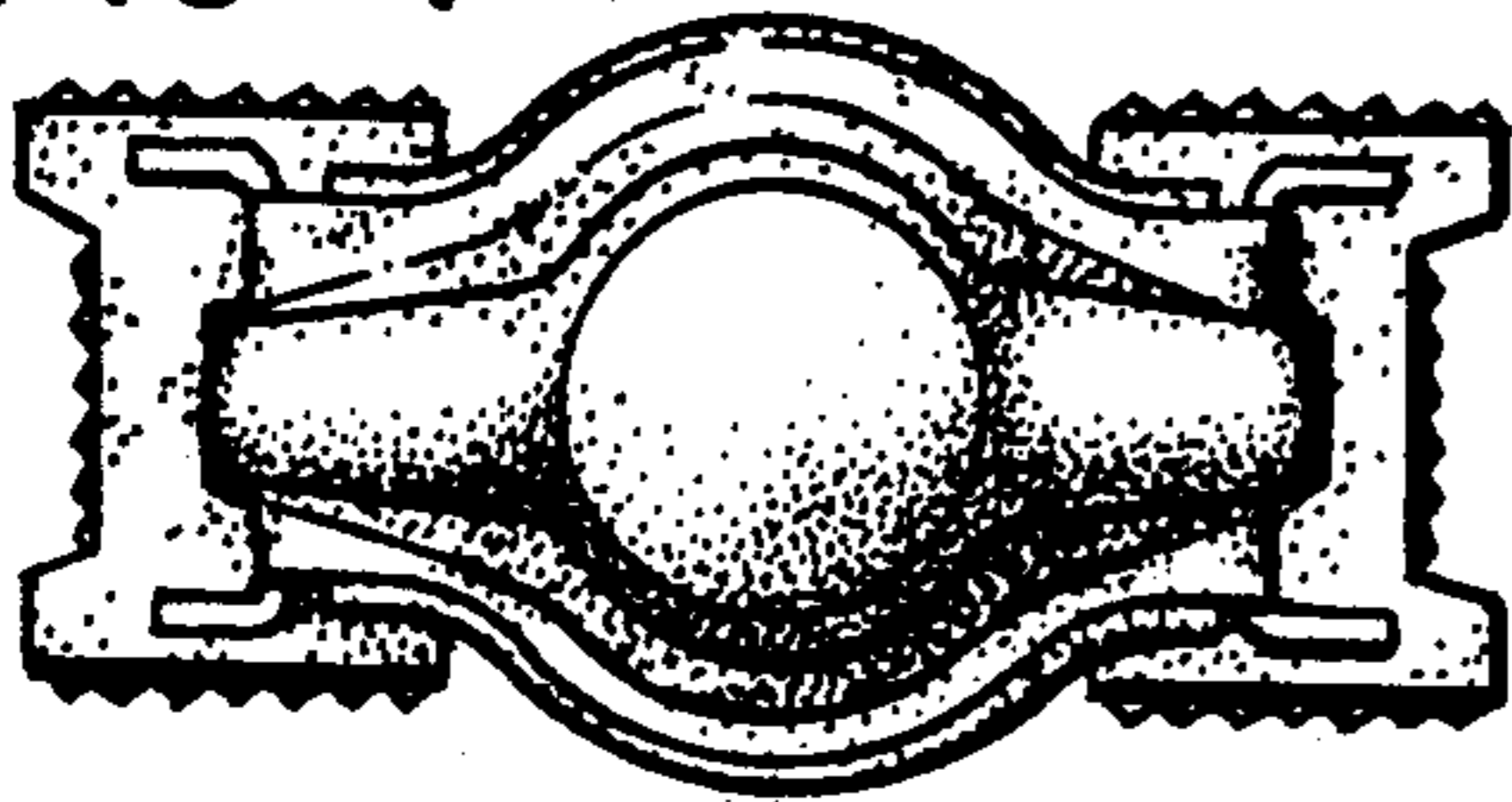


FIG-5

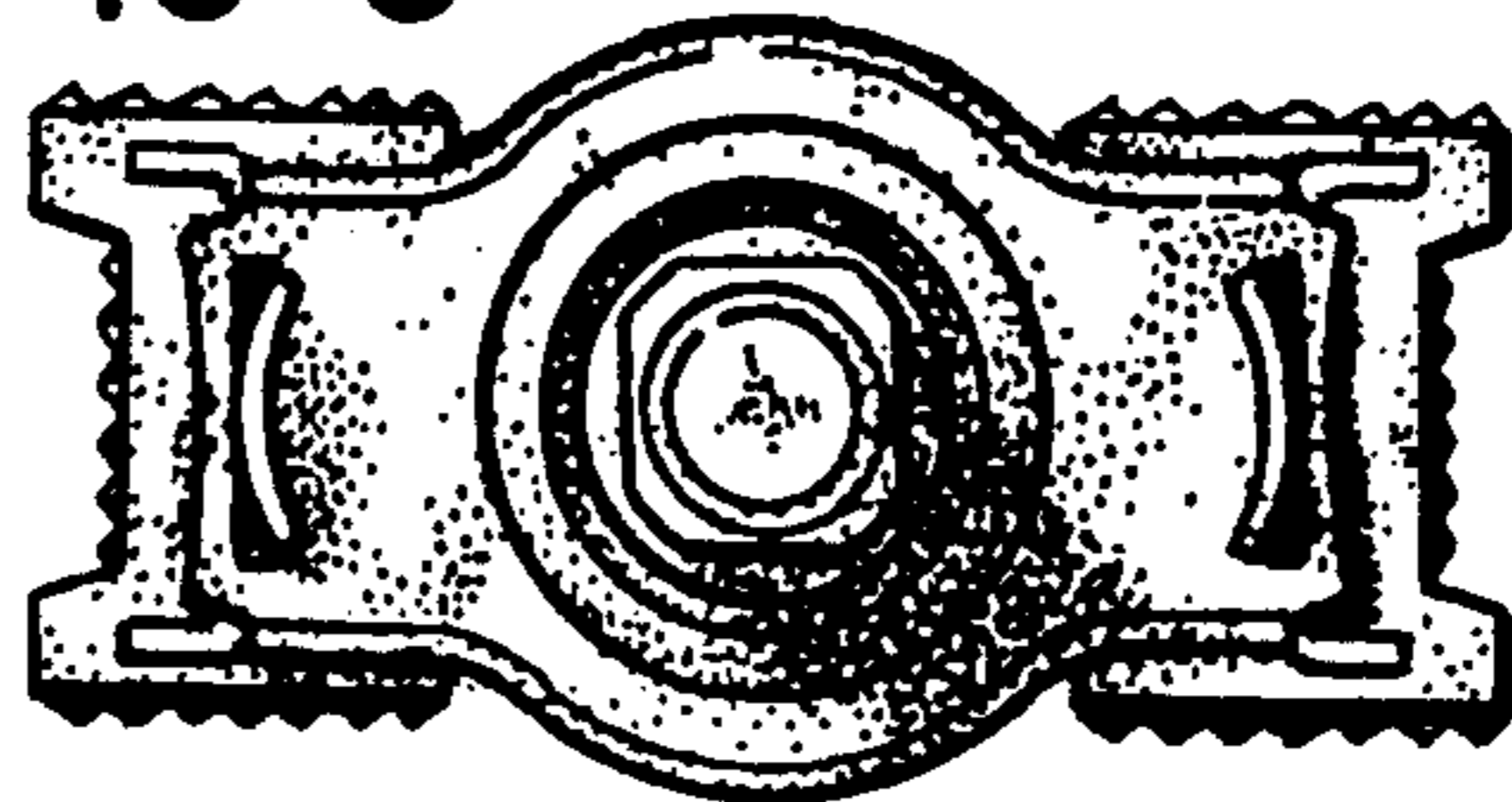


FIG-6

