

[54] TIMING LIGHT

[75] Inventors: David E. Maxwell, Cary; James R. Shaffer, Mt. Prospect; Lee Radtke, Lake Zurich, all of Ill.

[73] Assignee: Sun Electric Corporation, Chicago, Ill.

[**] Term: 14 Years

[21] Appl. No.: 744,698

[22] Filed: Nov. 24, 1976

[51] Int. Cl. D10-04

[52] U.S. Cl. D10/112

[58] Field of Search D10/112; 324/16 T; 315/224, 241 S

[56] References Cited

U.S. PATENT DOCUMENTS

D. 207,552	5/1967	Perkins et al.	D10/112
D. 217,287	4/1970	Schwartz	D10/112
D. 232,120	7/1974	Schwartz	D10/112

Primary Examiner—Susan J. Lucas

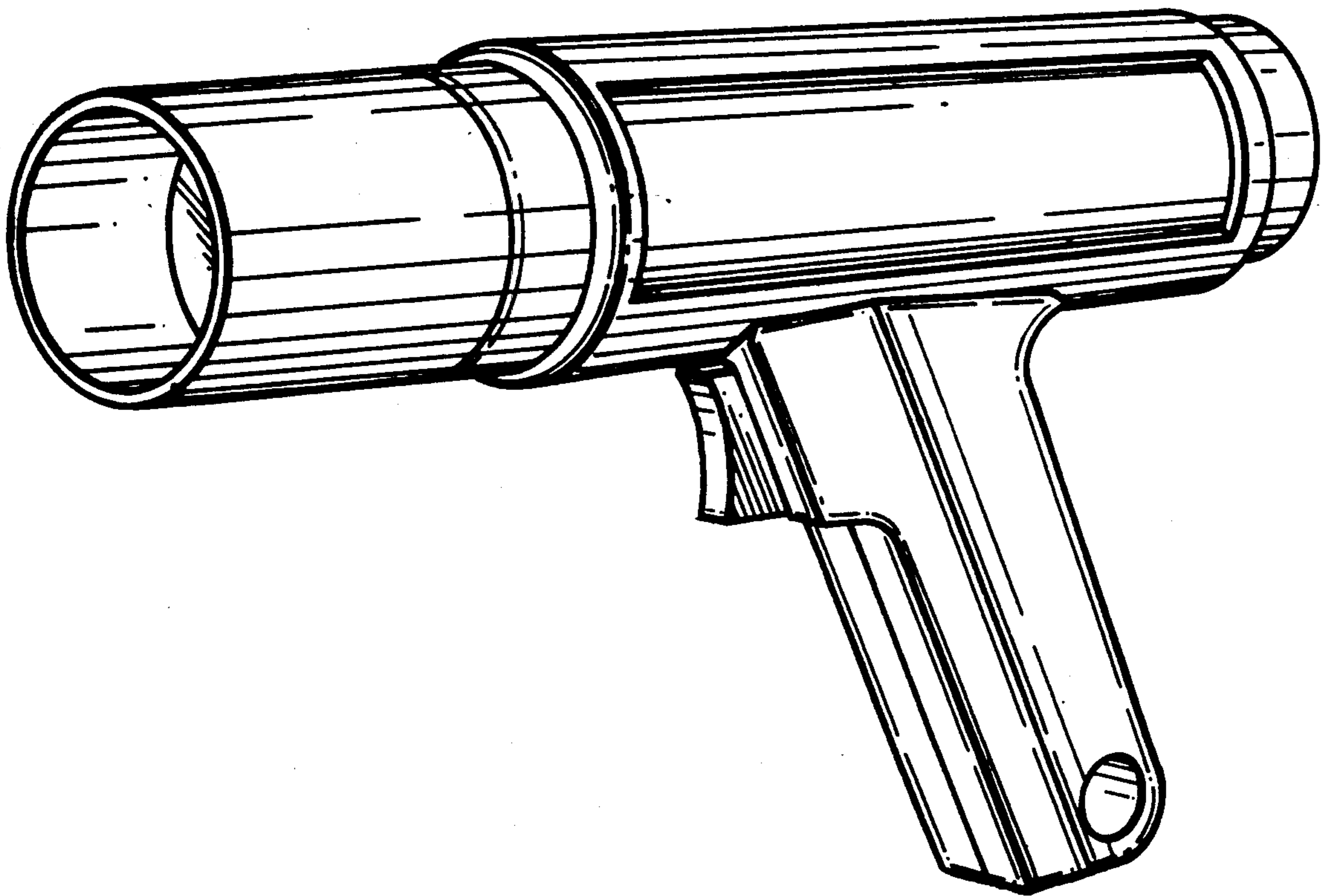
Attorney, Agent, or Firm—George B. Newitt

[57] CLAIM

The ornamental design for a timing light, as shown and described.

DESCRIPTION

FIG. 1 is a perspective view of a timing light in accordance with the present invention;
 FIG. 2 is a top view thereof;
 FIG. 3 is one side view thereof, the other side being substantially identical;
 FIG. 4 is a front view thereof;
 FIG. 5 is a rear view thereof; and
 FIG. 6 is a bottom view thereof.



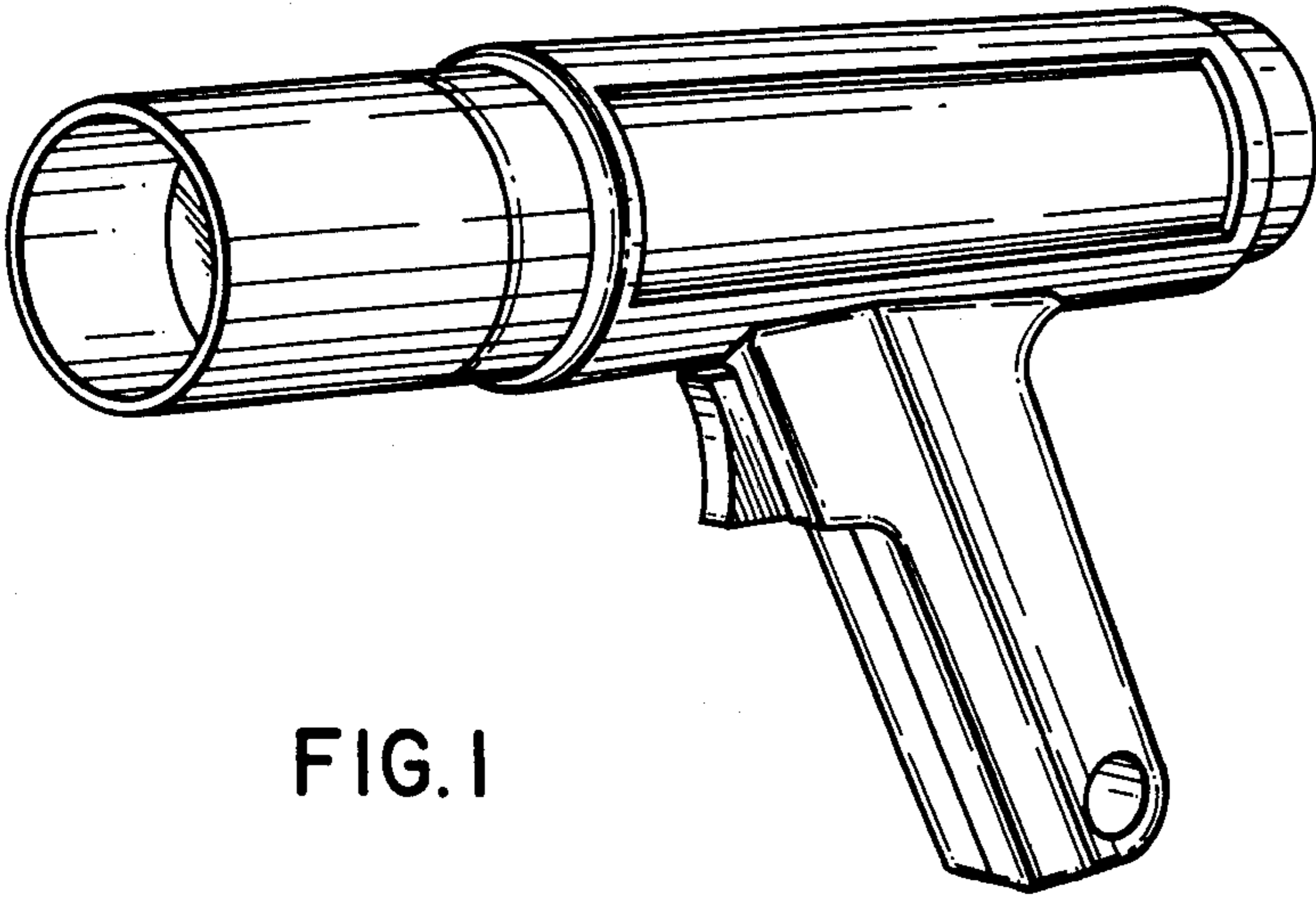


FIG. 1

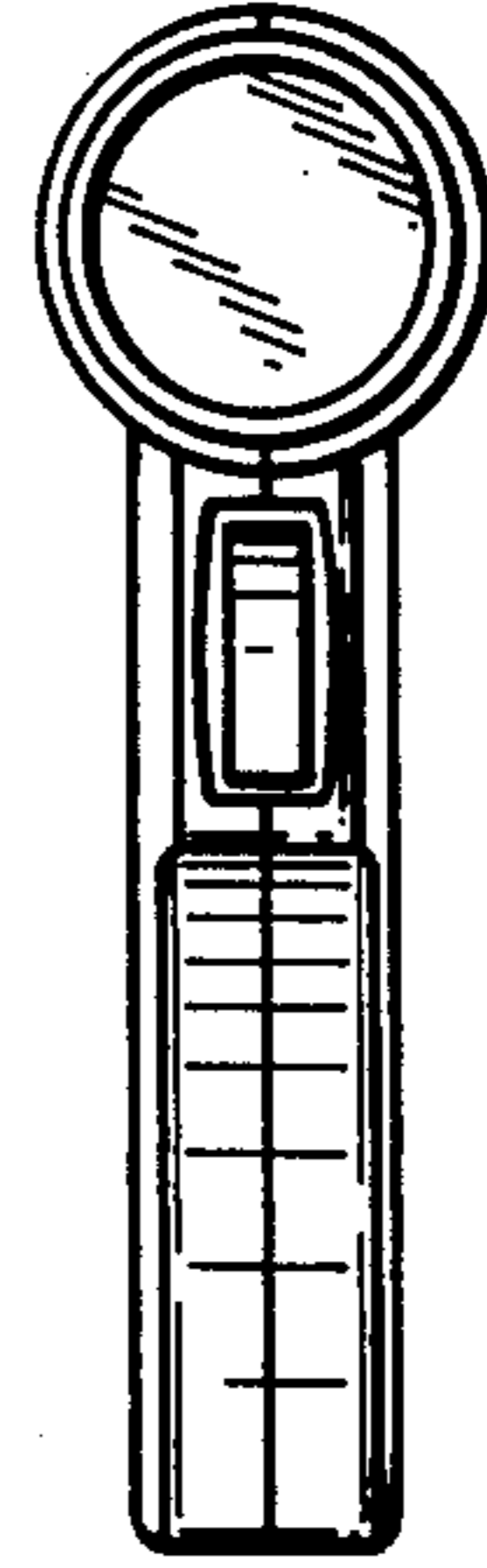


FIG. 4

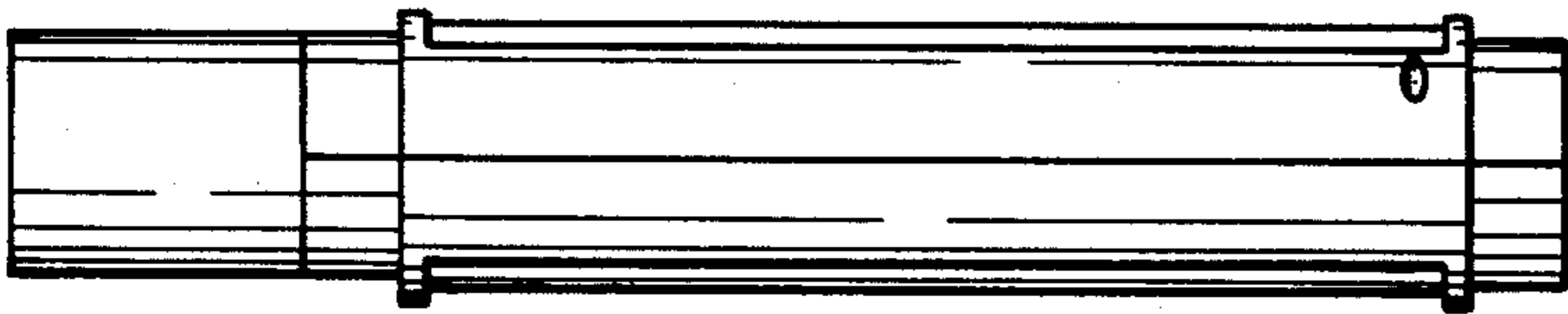


FIG. 2

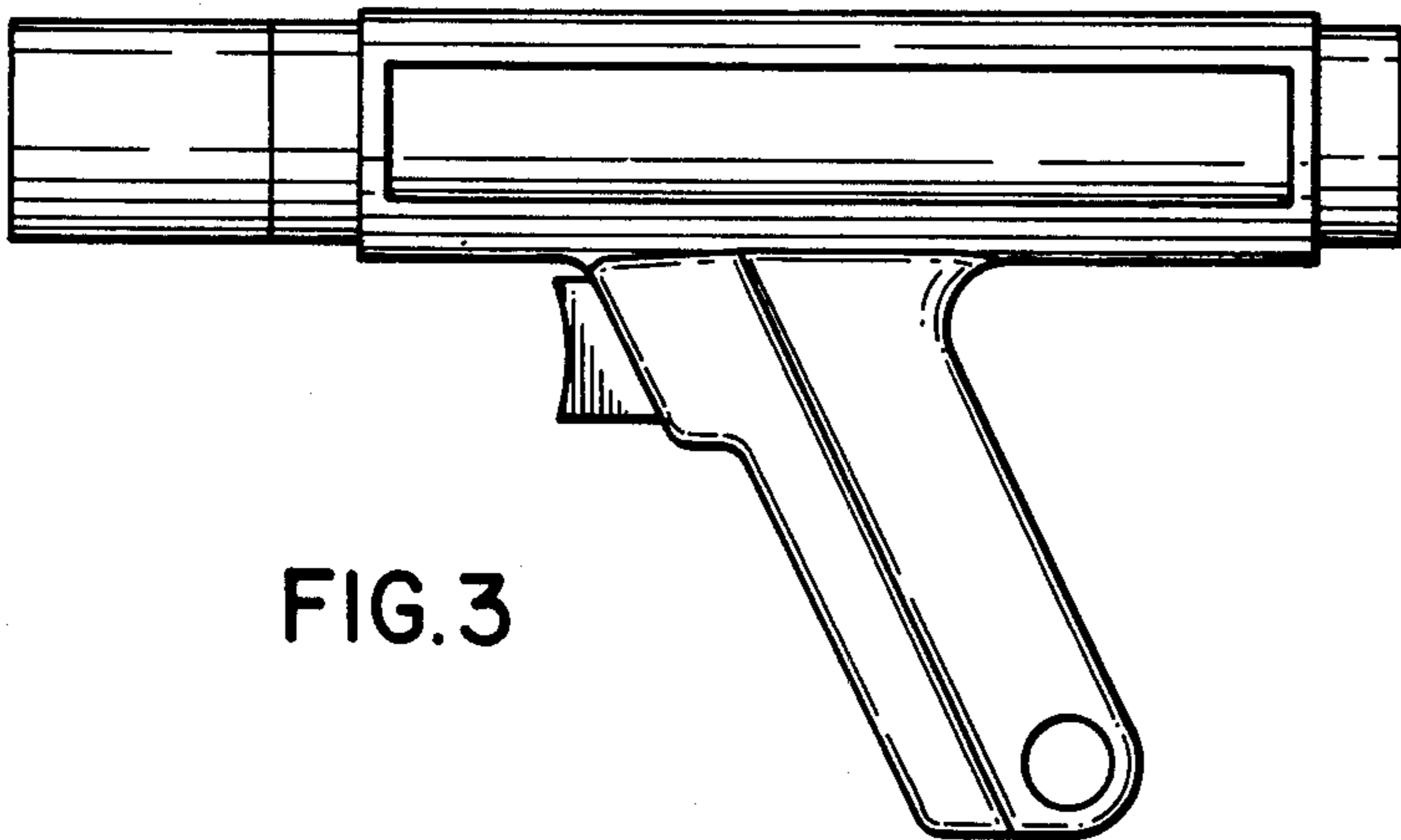


FIG. 3

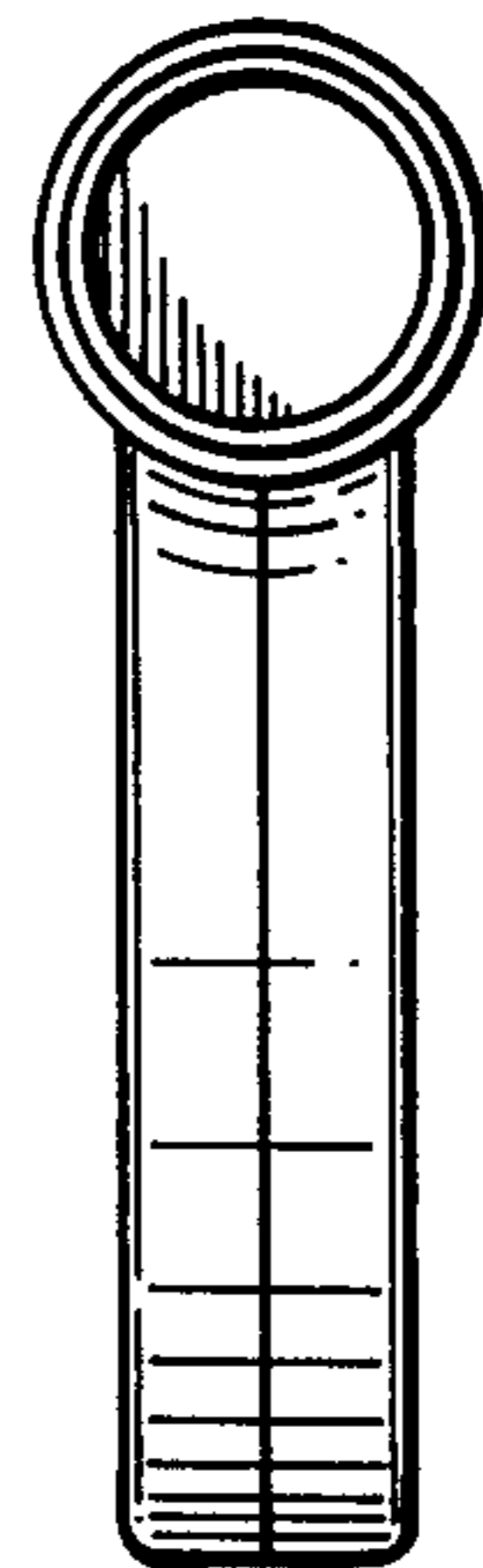


FIG. 5

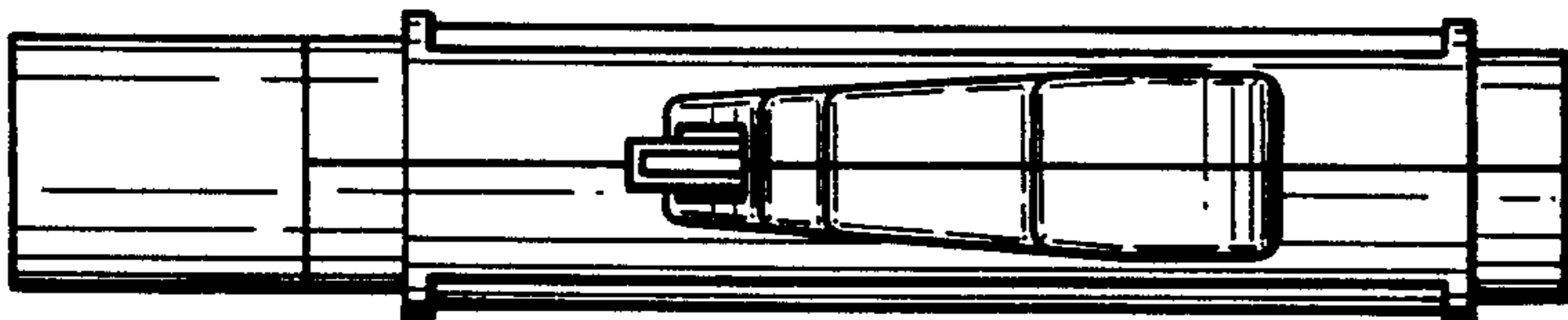


FIG. 6