

[54] PICTURE CLOCK

[76] Inventor: John C. Lucich, 12835 Sundance Ave., San Diego, Calif. 92129

[**] Term: 14 Years

[21] Appl. No.: 673,621

[22] Filed: Apr. 5, 1976

[51] Int. Cl. D10-01

[52] U.S. Cl. D10/2

[58] Field of Search D10/2, 122-125, D10/29, 25; D96/12.3; D6/232, 234, 236-237, 241, 242, 244-246; 58/152 R, 126 R, 126 A, 127 R

[56] References Cited

U.S. PATENT DOCUMENTS

D. 102,514 12/1936 Van Bloem D10/2
D. 102,515 12/1936 Van Bloem D10/2

D. 182,682 4/1958 Nelson D96/12.5
D. 209,977 1/1968 Judson D10/25
D. 216,338 12/1969 Snyder D10/2
D. 222,840 1/1972 Summers D10/124
D. 228,405 9/1973 Pollard D10/2
3,992,872 11/1976 Standish 58/126 A

Primary Examiner—Nelson C. Holtje
Attorney, Agent, or Firm—Carl R. Brown

[57] CLAIM

The ornamental design of a picture clock, substantially as shown and described.

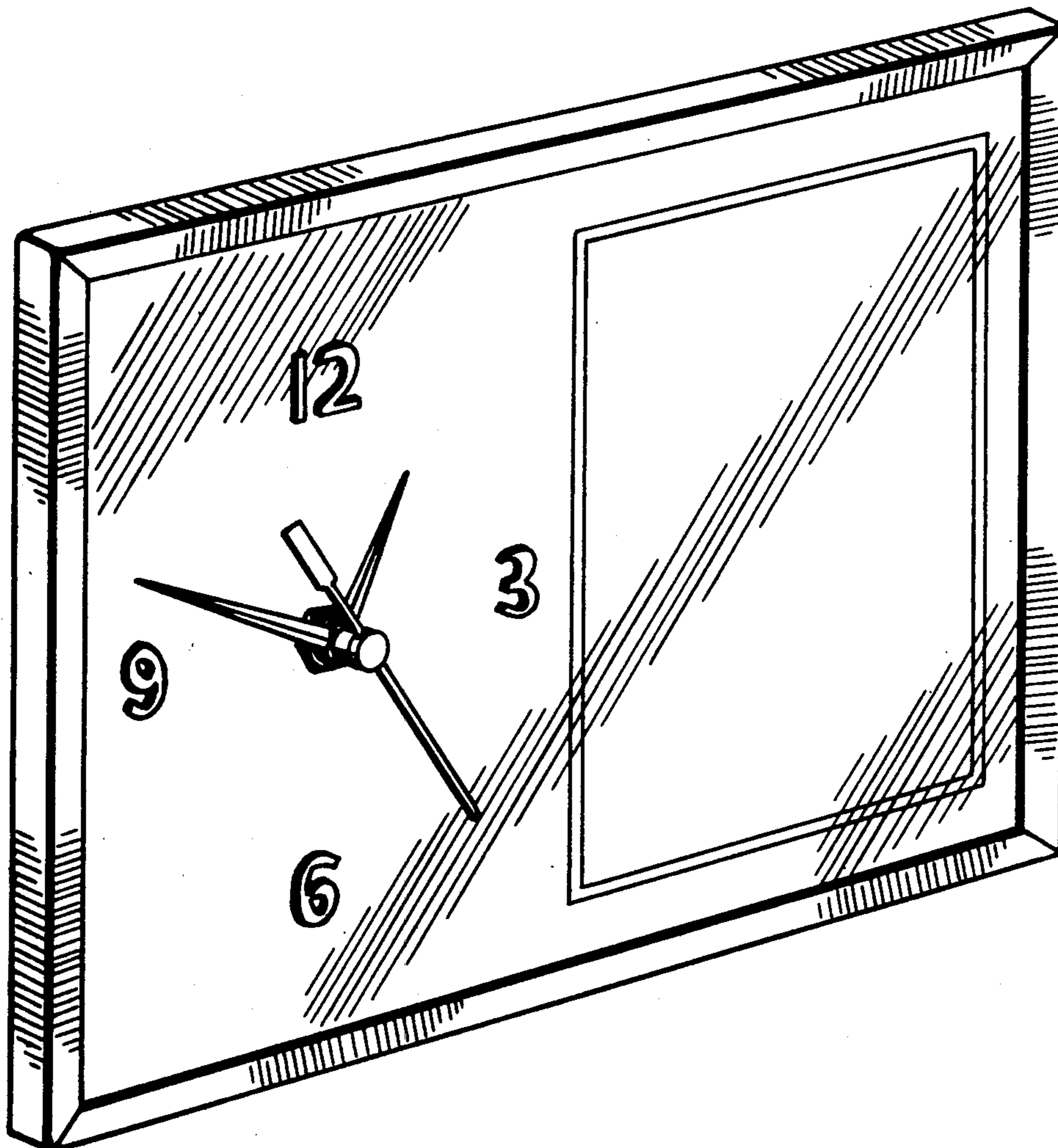
DESCRIPTION

FIG. 1 is a left front perspective view of a picture clock showing my new design;

FIG. 2 is a right rear perspective view thereof;

FIG. 3 is a bottom plan view thereof;

FIG. 4 is a left side elevational view thereof with the support leg folded.



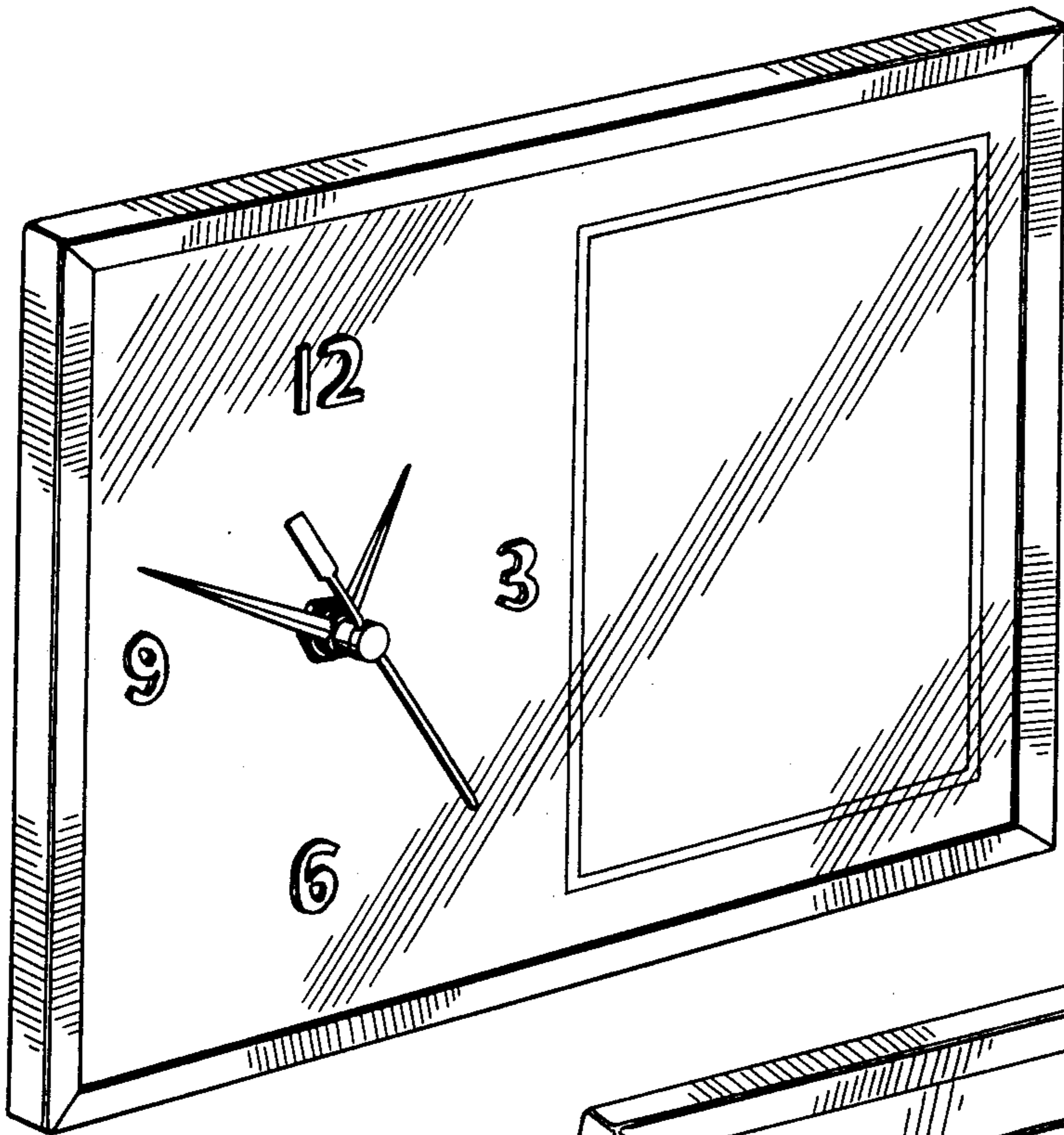


Fig. 1

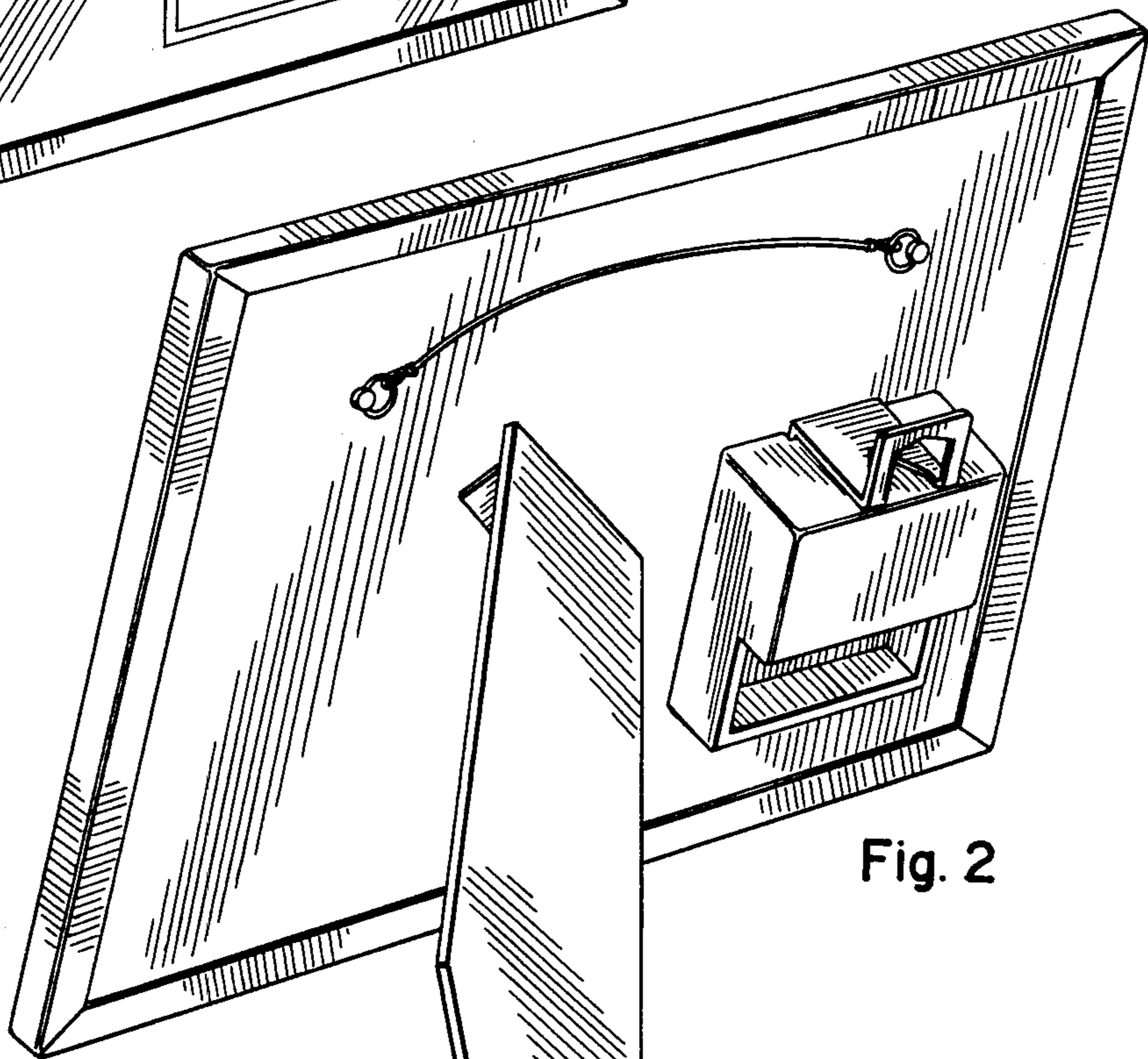


Fig. 2

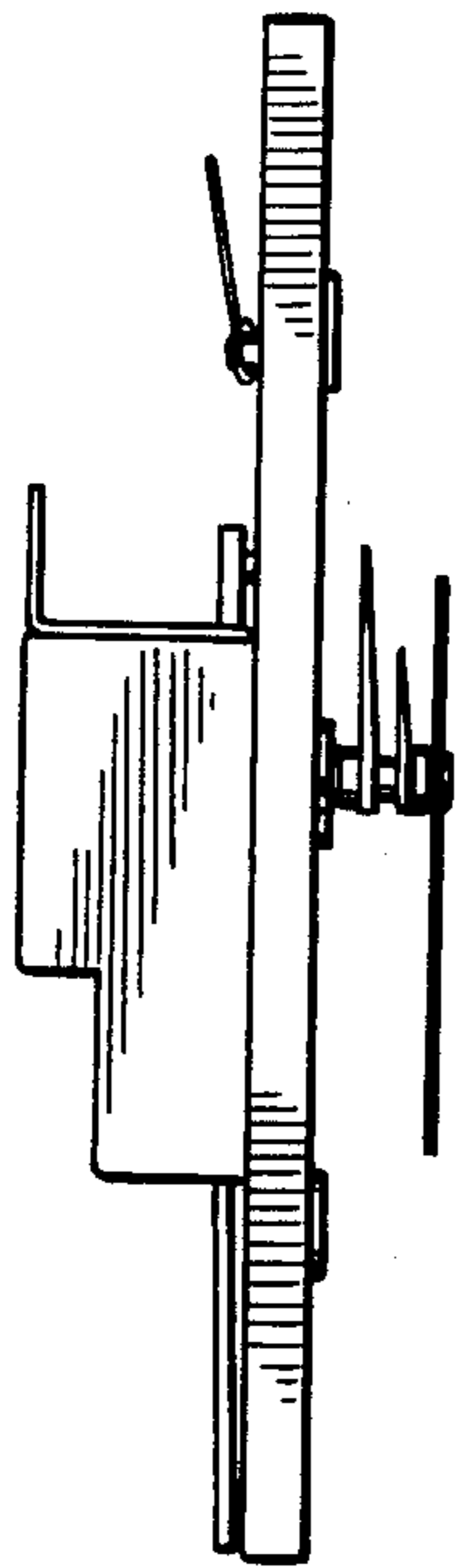


Fig. 4

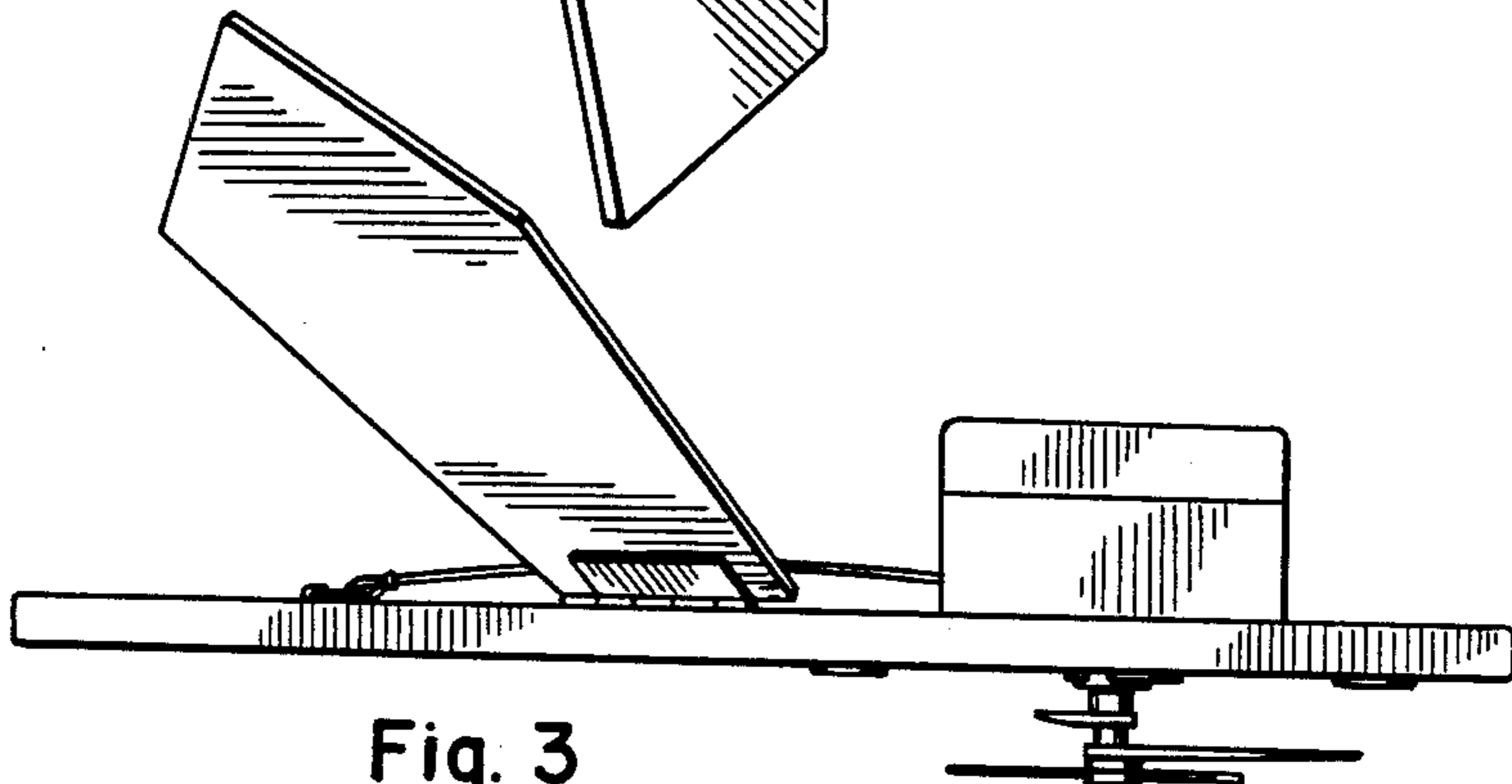


Fig. 3