

[54] COMBINED GUIDE AND LOCK FOR A SLIDING WINDOW SASH

[75] Inventor: Edgar B. Roesch, Pennington, N.J.

[73] Assignee: The Roesch Trust of which Lesley B. Roesch and Robert Patterson are trustees, Pennington, N.J.

[**] Term: 14 Years

[21] Appl. No.: 757,848

[22] Filed: Jan. 10, 1977

[51] Int. Cl. D8-07

[52] U.S. Cl. D8/339

[58] Field of Search D8/339, 341, 342, 330, D8/331, 338; 292/DIG. 46; 70/90, 95

[56] References Cited

U.S. PATENT DOCUMENTS

D. 194,348 1/1963 Deisenroth D8/338
3,938,839 2/1976 Collier 292/DIG. 46

Primary Examiner—Wallace R. Burke
Assistant Examiner—James M. Gandy
Attorney, Agent, or Firm—Thomas M. Ferrill, Jr.

[57] CLAIM

The ornamental design for a combined guide and lock for a sliding window sash, as shown.

DESCRIPTION

FIG. 1 is a top, front and right side perspective view of a combined guide and lock for a sliding window sash showing my new design;

FIG. 2 is a bottom, front and left side perspective view thereof;

FIG. 3 is a top plan view thereof;

FIG. 4 is a front elevational view thereof; and

FIG. 5 is a rear elevational view thereof.

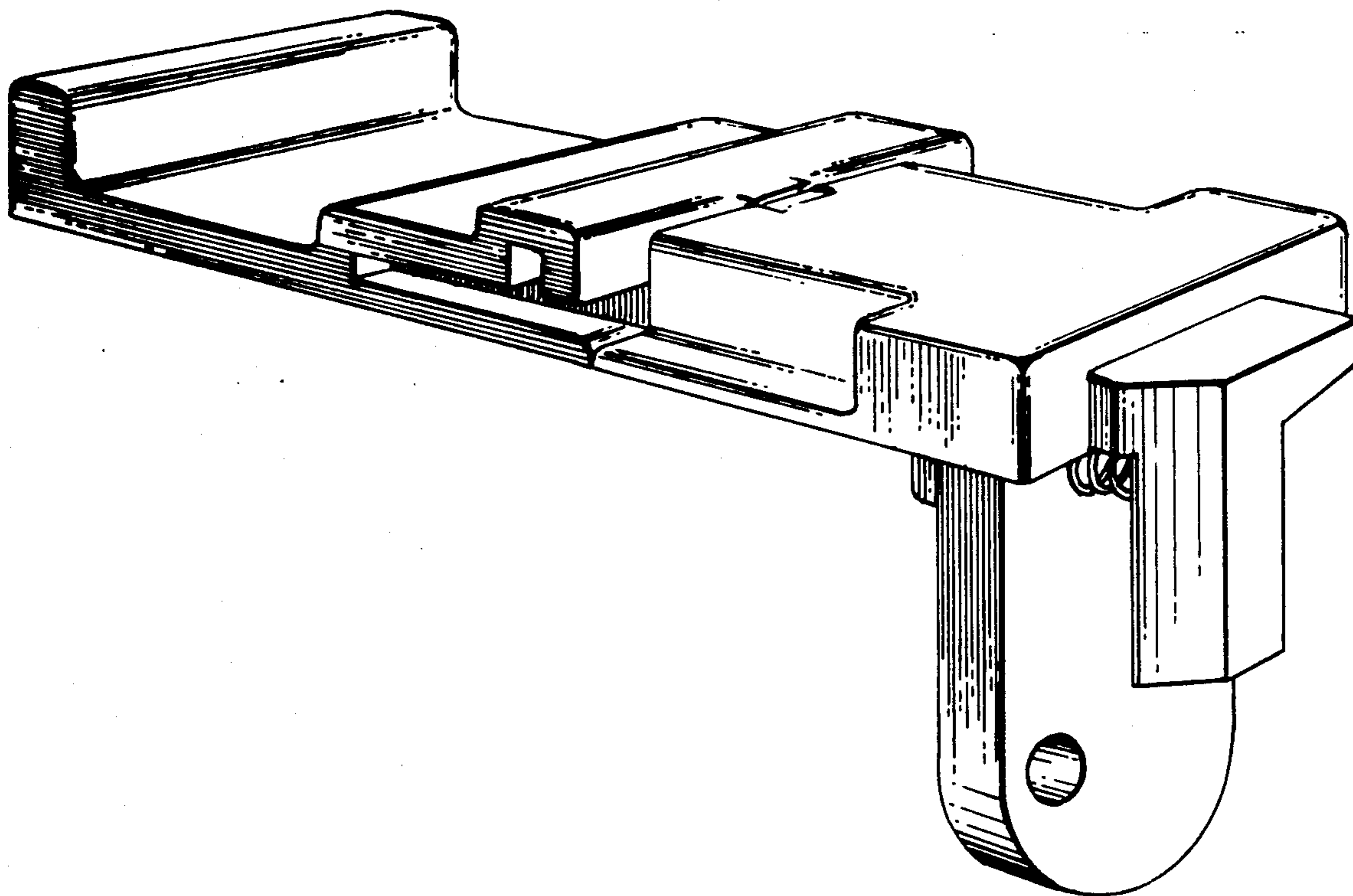


FIG. 1.

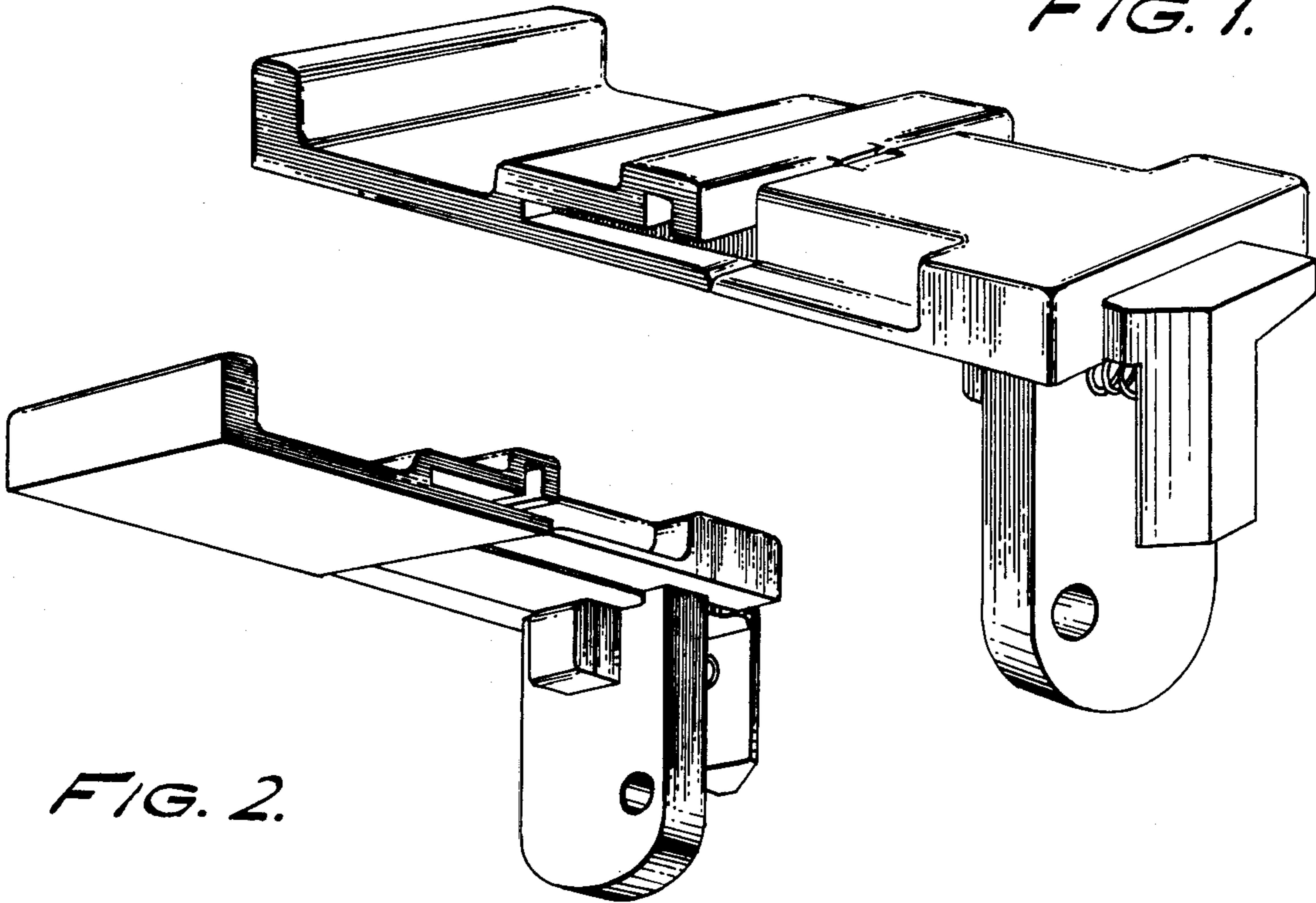


FIG. 2.

FIG. 3.

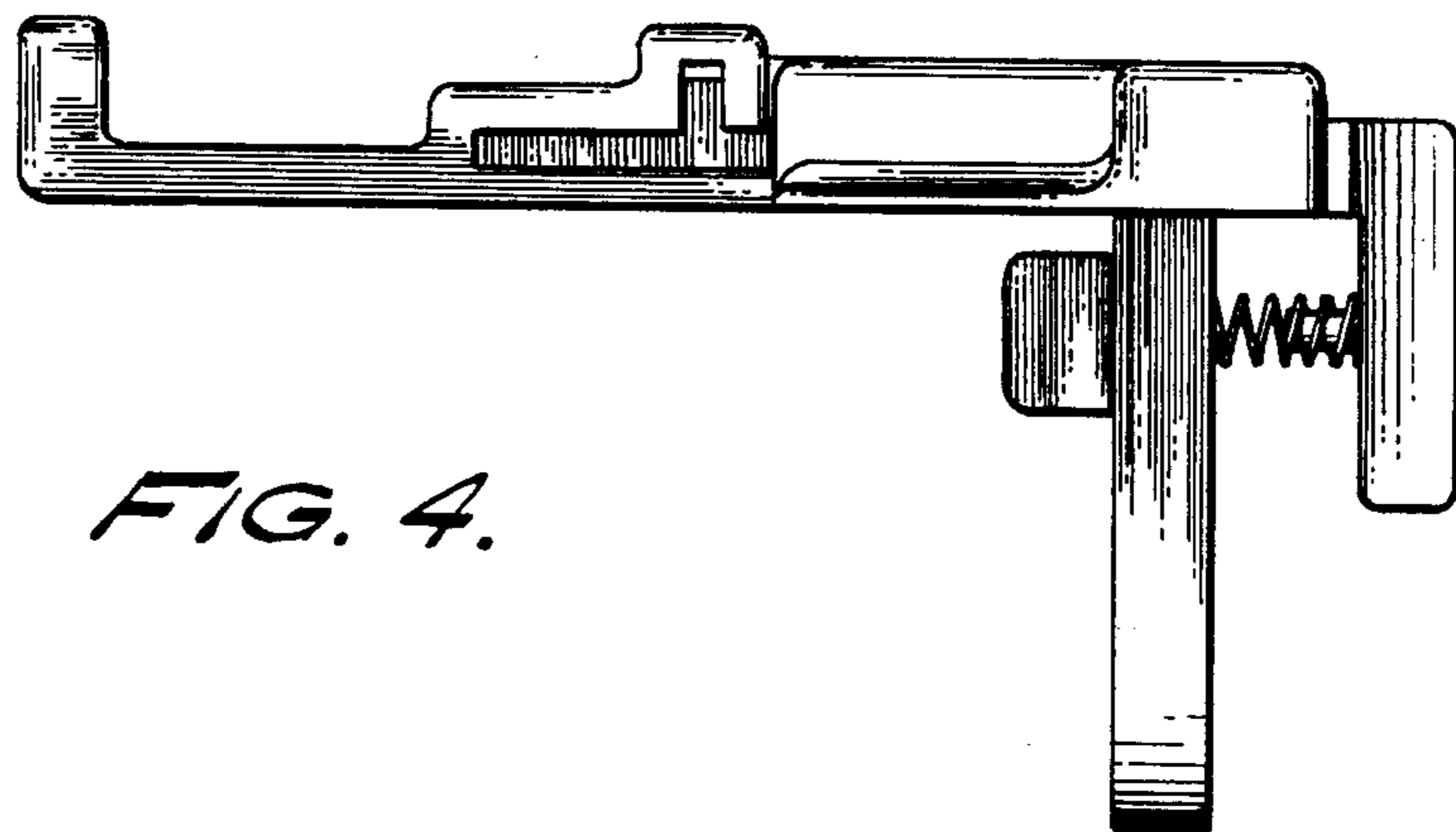
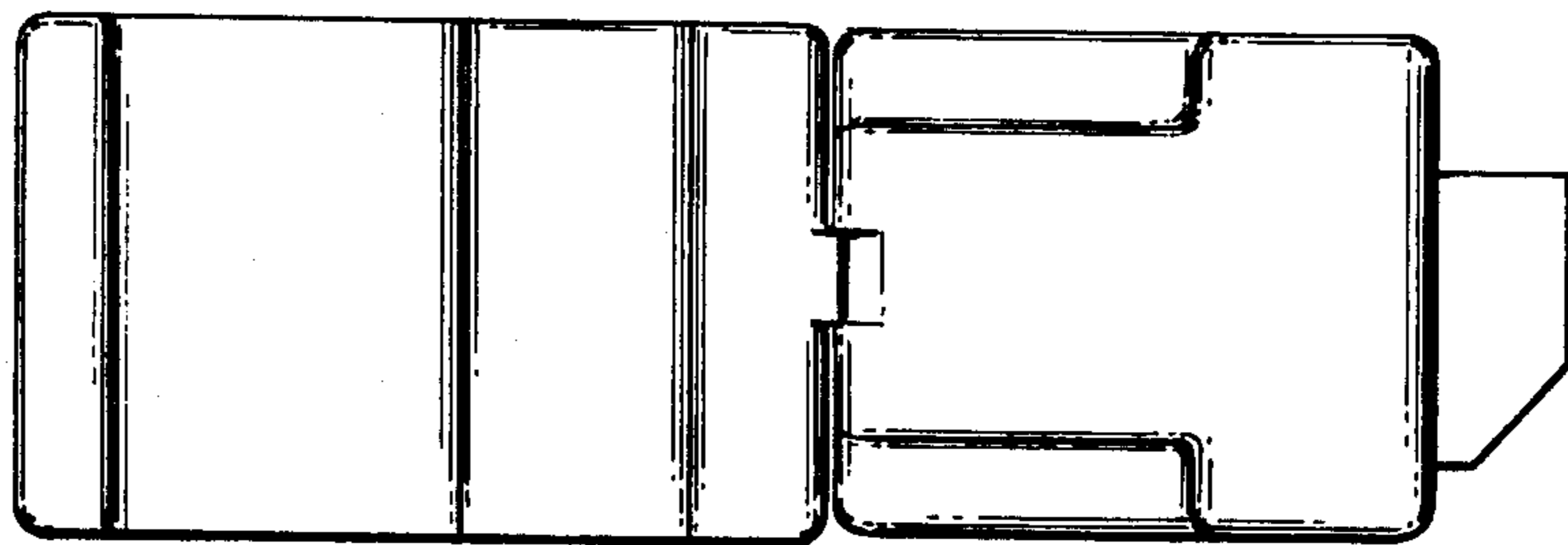


FIG. 4.

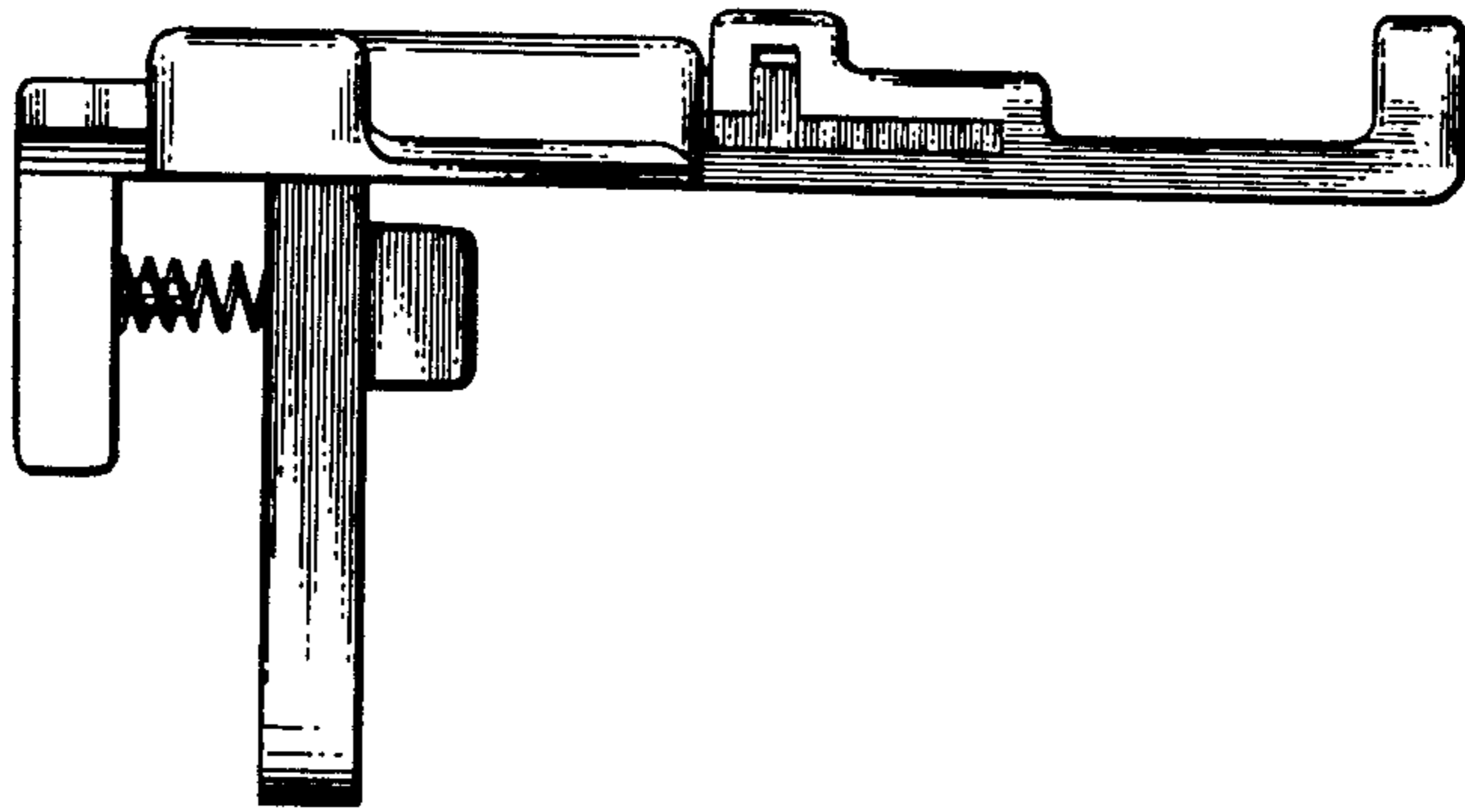


FIG. 5.