

[54] COVERED CONTAINER FOR MAIL OR THE LIKE

[75] Inventors: David Stewart Hay, Ottawa; Alfred Weston Bennett, Gatineau, both of Canada

[73] Assignee: Postmaster General of Canada, Canada

[**] Term: 14 Years

[21] Appl. No.: 657,634

[22] Filed: Feb. 12, 1976

[51] Int. Cl. D9-03

[52] U.S. Cl. D9/219; D9/240

[58] Field of Search 229/2.5, 30, 1.5; D9/182, 219, 237, 242, 254, 240; D7/16, 27, 37, 38, 40, 76, 84

[56] References Cited

U.S. PATENT DOCUMENTS

D. 194,429	1/1963	Kuhn	D9/219
D. 212,437	10/1968	Payton	D9/219 X
D. 236,114	7/1975	Baker	D9/219 X
D. 238,148	12/1975	Dilot	D7/76 X
2,780,385	2/1957	Tupper	D9/219 X
3,589,554	6/1971	Smith	D7/76 X

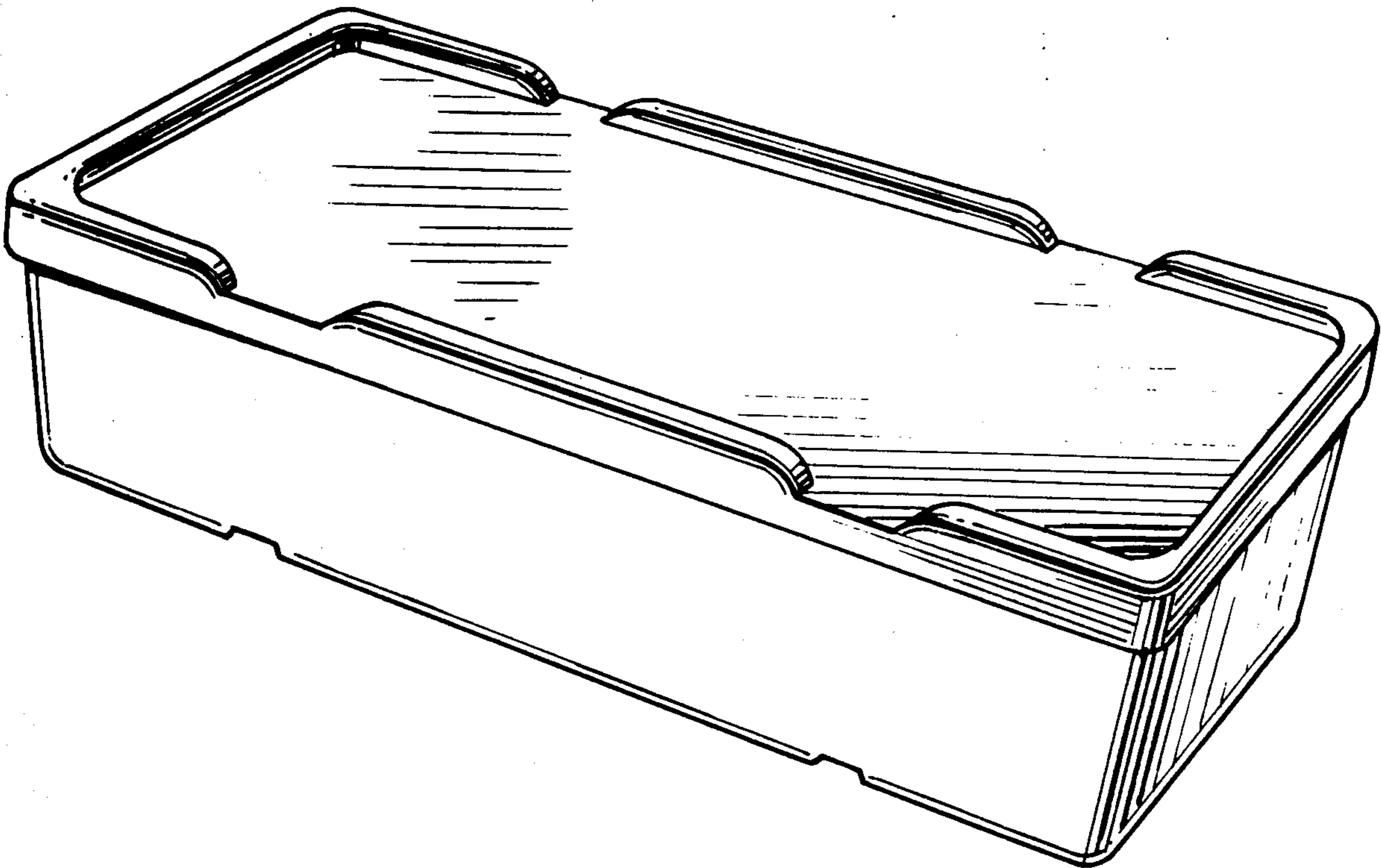
Primary Examiner—Robert C. Spangler
Attorney, Agent, or Firm—William T. Boland, Jr.

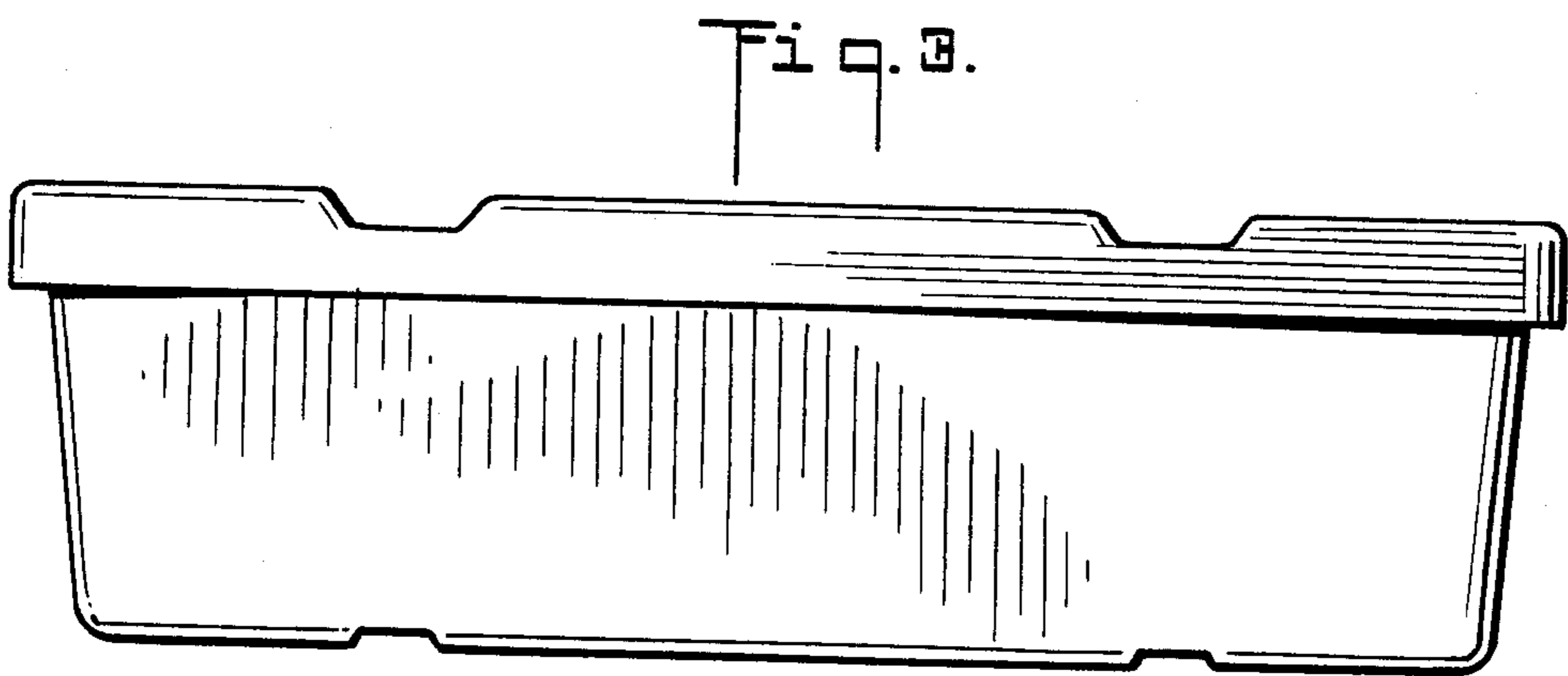
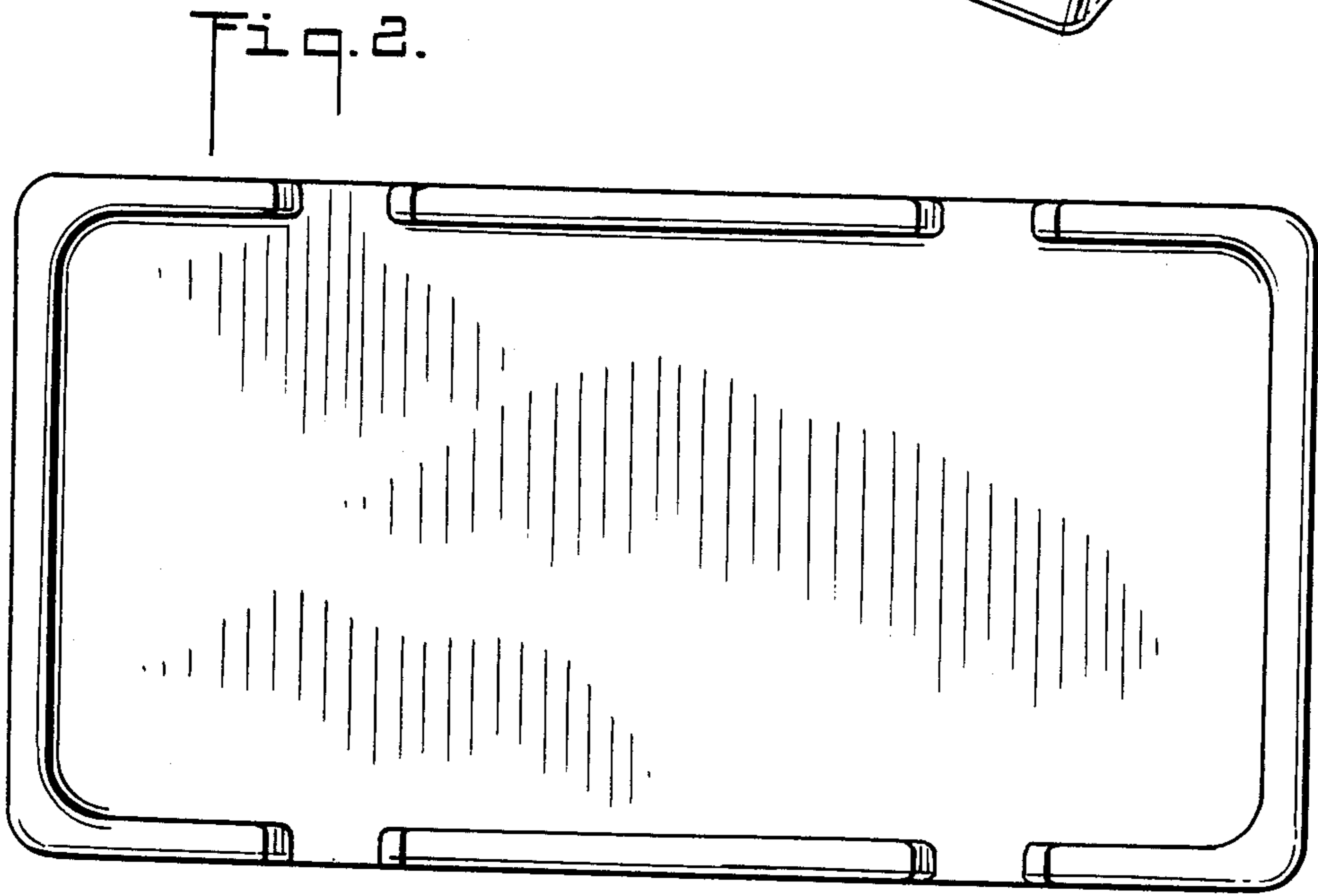
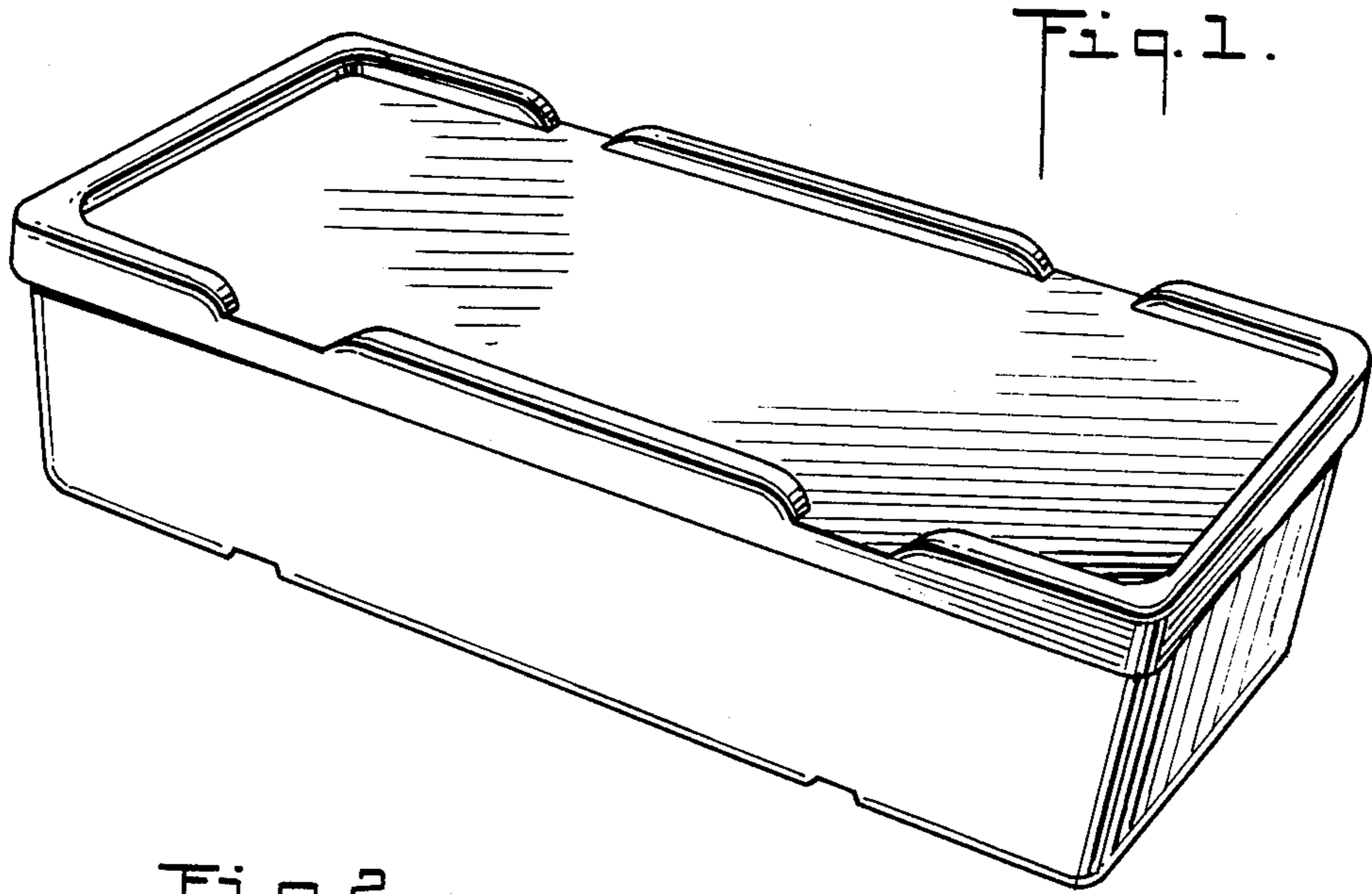
[57] CLAIM

The ornamental design for a covered container for mail or the like, substantially as shown and described.

DESCRIPTION

FIG. 1 is a top perspective view of a covered container for mail or the like showing our new design;
FIG. 2 is a top plan view;
FIG. 3 is a side elevational view the opposite side being the same in appearance;
FIG. 4 is an end elevational view the opposite end end being the same in appearance;
FIG. 5 is a bottom plan view; and
FIG. 6 is an exploded top perspective view thereof.





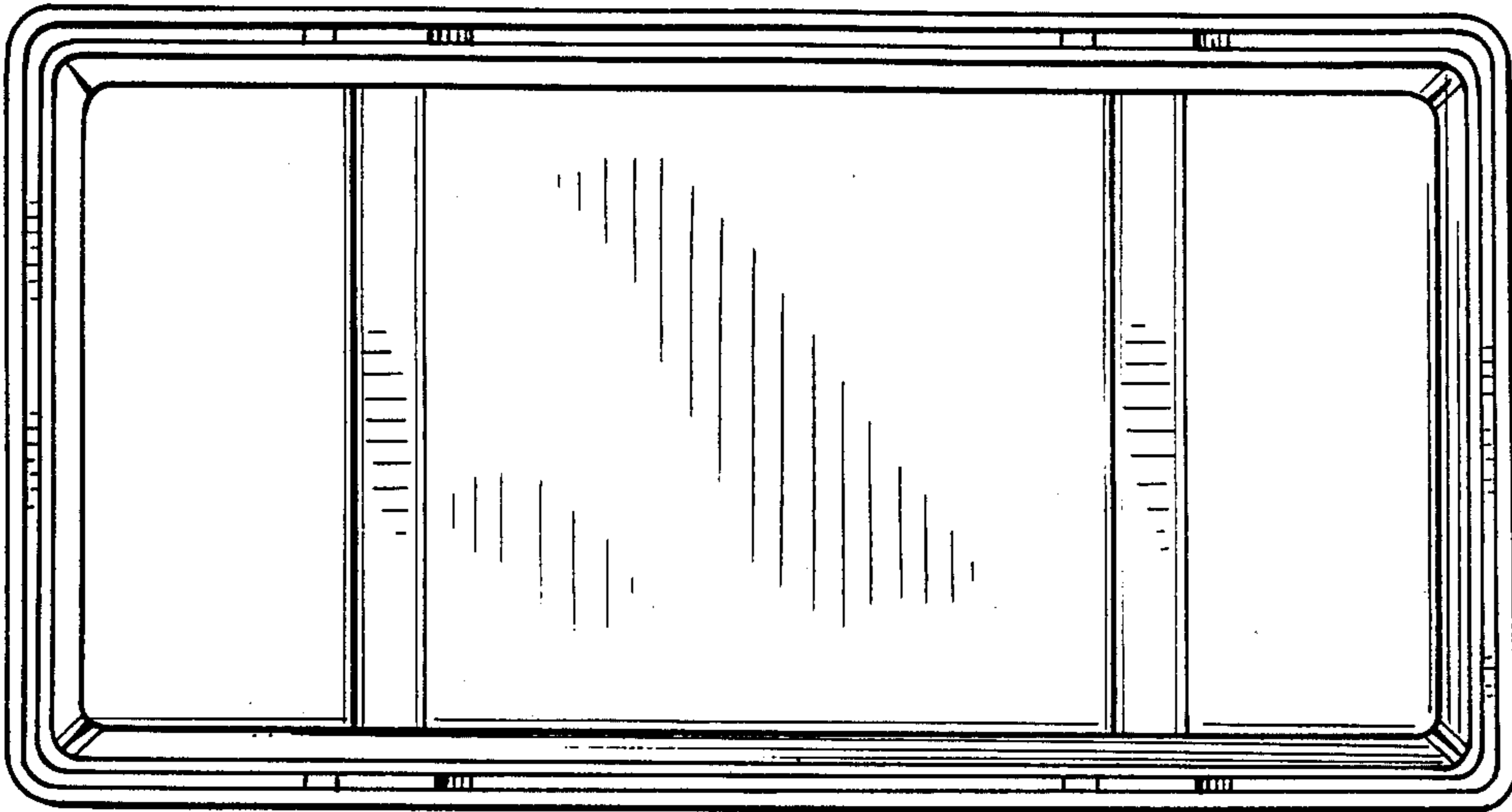


Fig. 5.

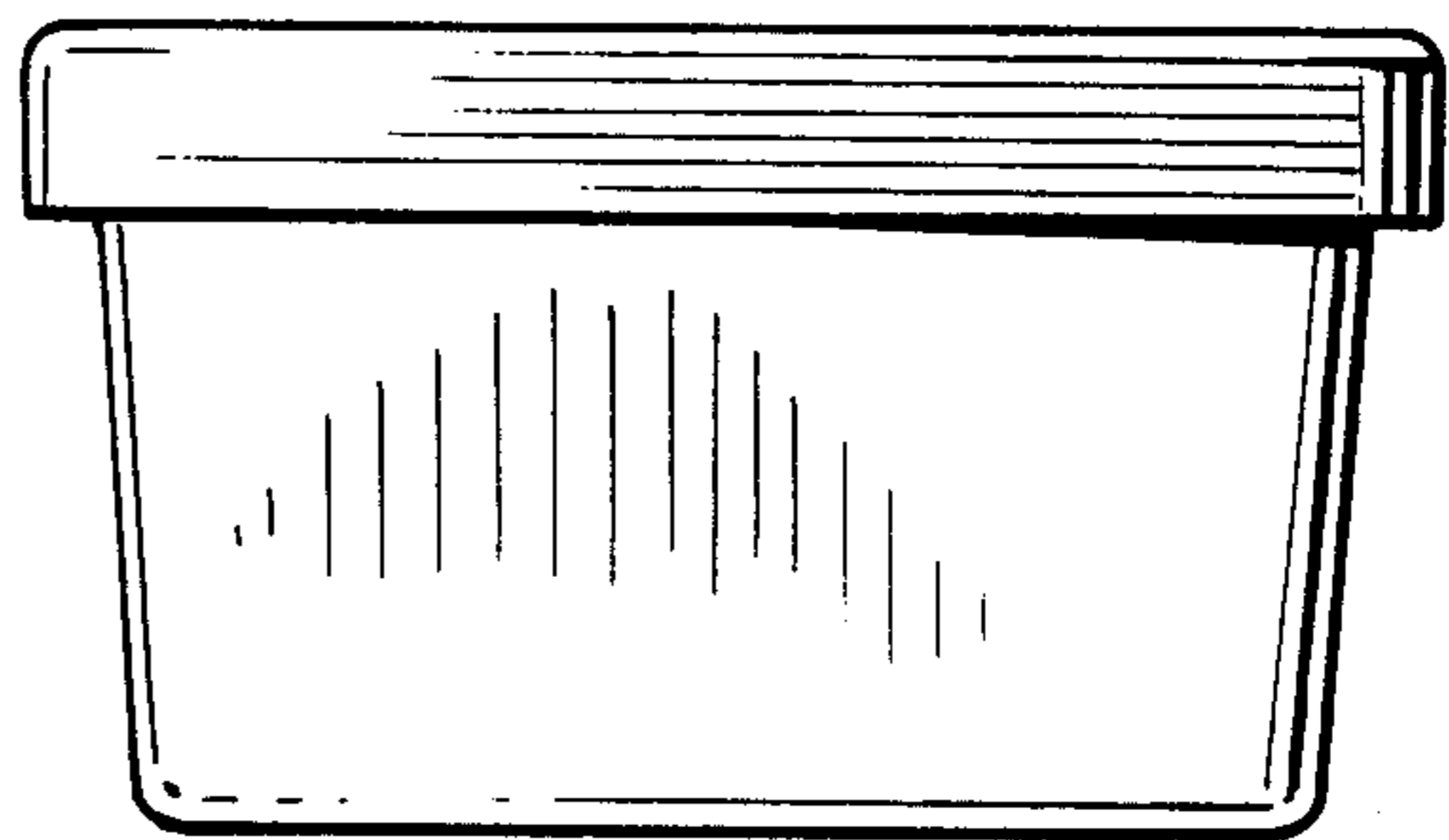


Fig. 4.

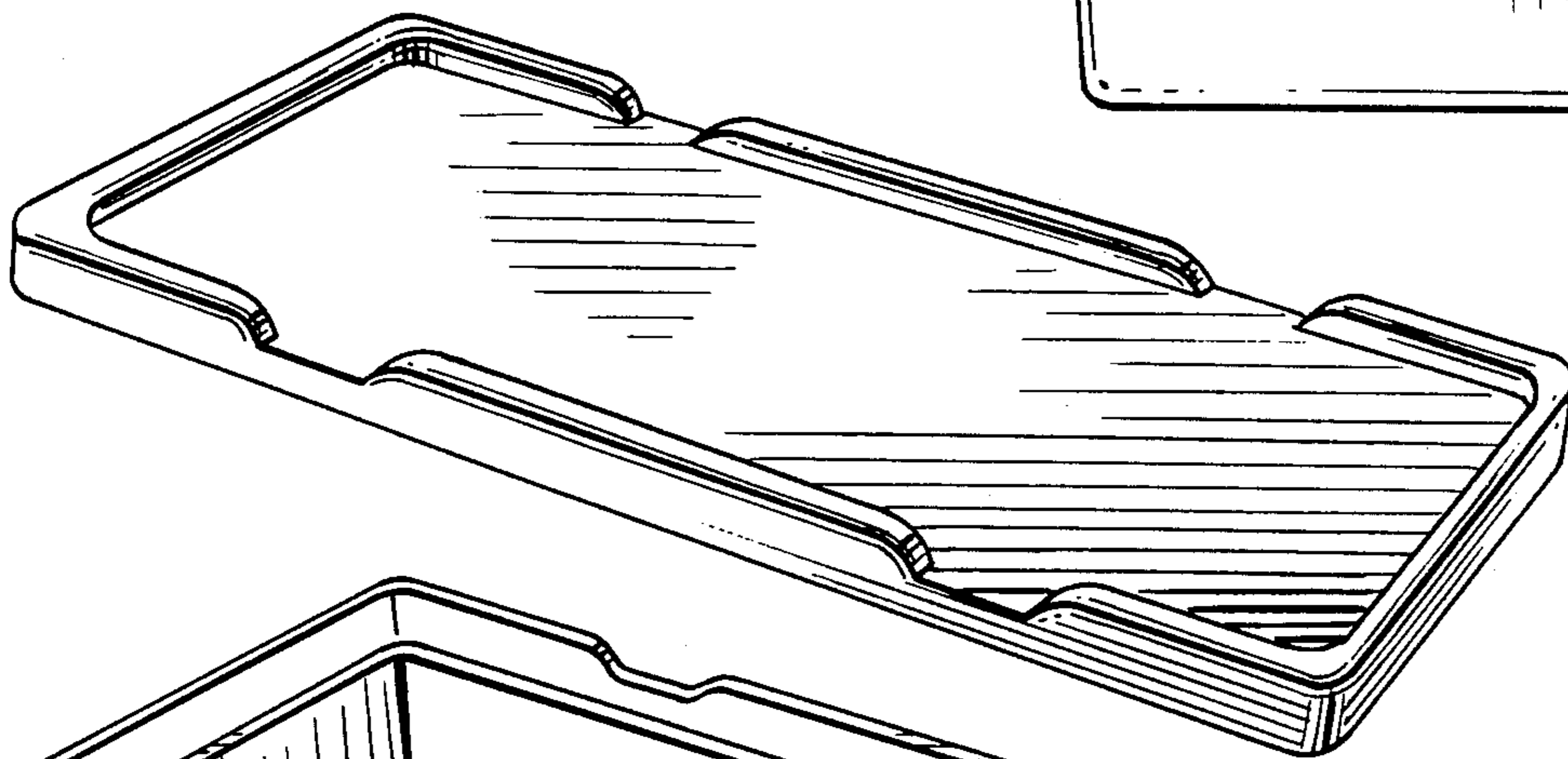


Fig. 6.