

[54] WRENCH

[76] Inventor: John J. Dobias, 1212 Sumach Dr., Windsor, Ontario, Canada N8S 2S4

[\*\*] Term: 14 Years

[21] Appl. No.: 756,383

[22] Filed: Jan. 3, 1977

[51] Int. Cl. .... D8-05

[52] U.S. Cl. .... D8/23

[58] Field of Search ..... D8/22, 23; 81/107, 106, 81/108, 164, 166, 168, 155, 162

[56] References Cited

U.S. PATENT DOCUMENTS

- D. 149,052 3/1948 Elnes ..... D8/23
- D. 186,132 9/1959 St. Claire ..... D8/23

- 751,342 2/1904 Ruggles ..... 81/106
- 752,811 2/1904 Thomas ..... 81/106
- 952,261 3/1910 Julich ..... 81/108

Primary Examiner—Alan P. Douglas  
Attorney, Agent, or Firm—Dale R. Small

[57] CLAIM

The ornamental design for a wrench, substantially as shown and described.

DESCRIPTION

FIG. 1 is a side view of the wrench.  
FIG. 2 is a back view of the wrench.  
FIG. 3 is a front view of the wrench.  
FIG. 4 is a top view of the wrench.  
FIG. 5 is a bottom view of the wrench.  
The other side view of the wrench is the same as the side view shown in FIG. 1.

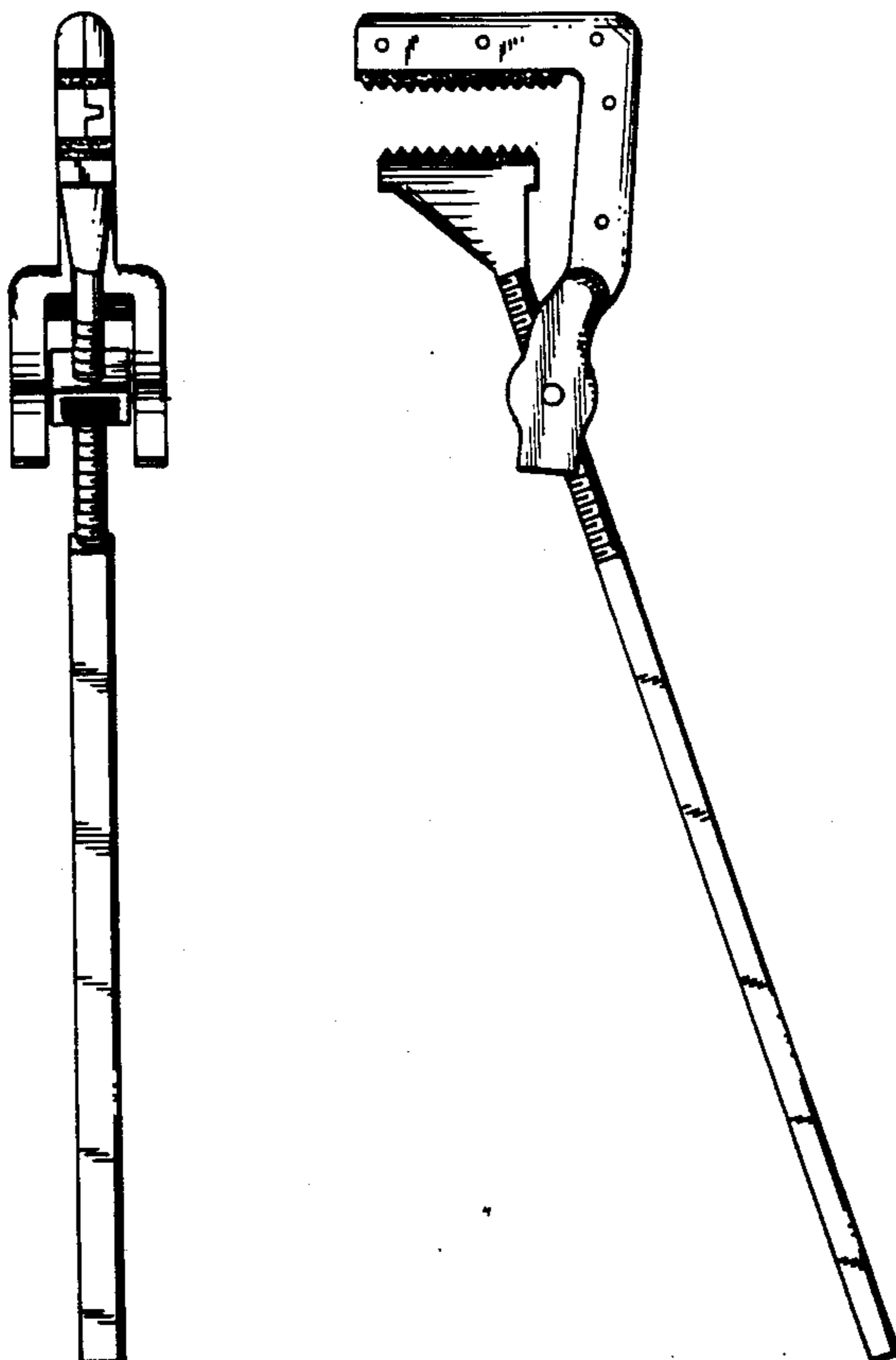


FIG. 4

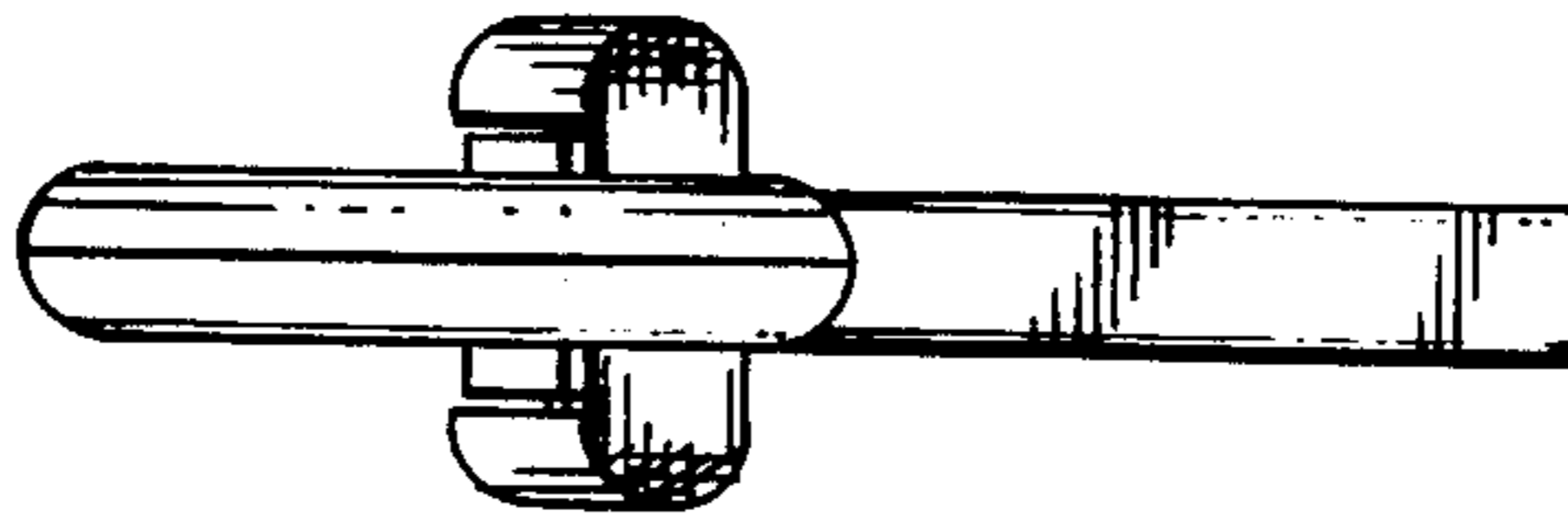


FIG. 2

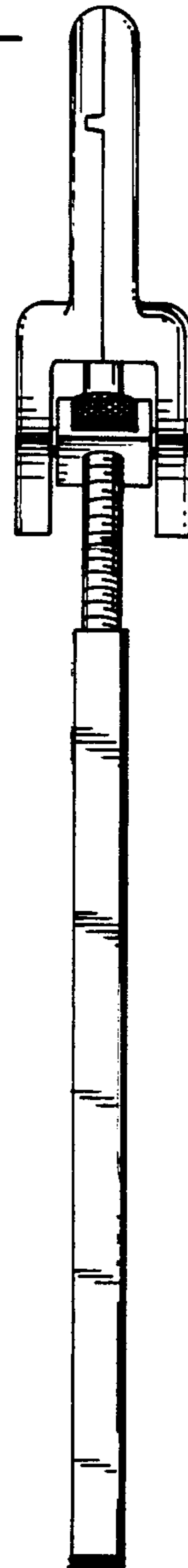


FIG. 1

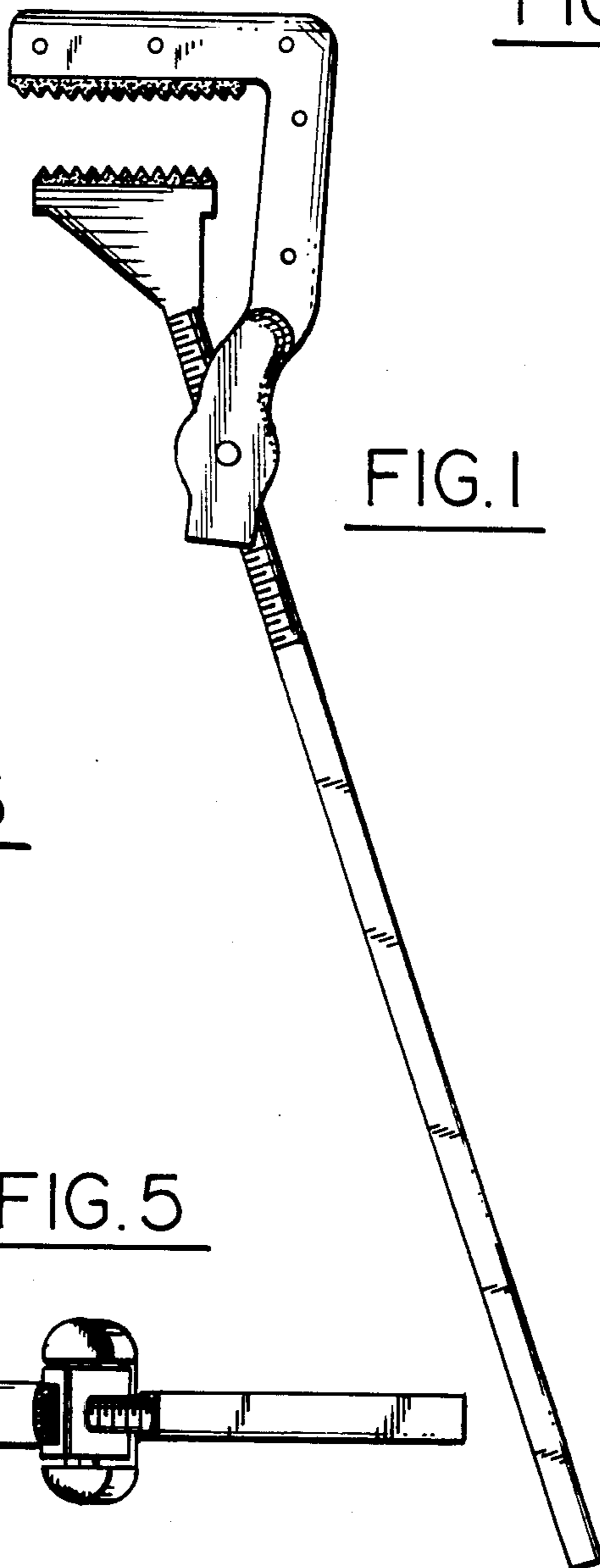


FIG. 3

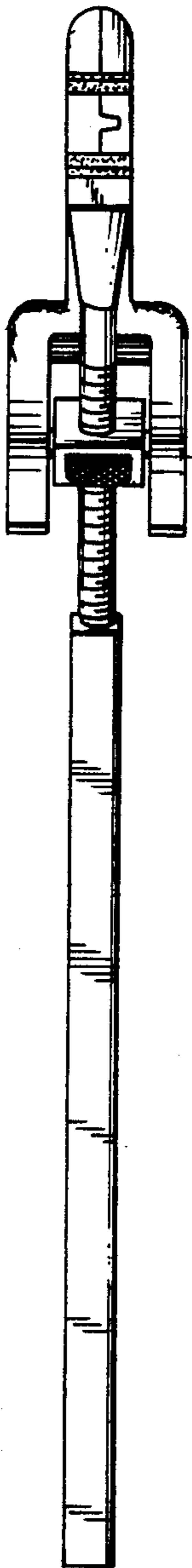


FIG. 5

