

# United States Patent [19]

Schwartz

[11] Des. 248,610

[45] \*\* Jul. 25, 1978

[54] BUCKET

[75] Inventor: Daniel A. Schwartz, Long Beach, Calif.

[73] Assignee: Beatrice Foods Co., Chicago, Ill.

[\*\*] Term: 14 Years

[21] Appl. No.: 746,311

[22] Filed: Dec. 1, 1976

[51] Int. Cl. .... D7-07

[52] U.S. Cl. .... D7/187

[58] Field of Search ..... D7/187; 220/95; 15/264; 280/79.1, 79.2

[56]

## References Cited

### U.S. PATENT DOCUMENTS

D. 233,003	10/1974	Karn, Jr. et al. ....	D7/187
D. 236,796	9/1975	Deuschle .....	D7/187
2,665,922	1/1954	Bard .....	280/79.2 X
3,747,154	7/1973	O'Neil .....	15/264
3,926,452	12/1975	Goines .....	15/264 X

*Primary Examiner*—Wallace R. Burke  
*Assistant Examiner*—Catherine Kemper  
*Attorney, Agent, or Firm*—J. King Harness

[57]

## CLAIM

The ornamental design for a bucket, as shown.

## DESCRIPTION

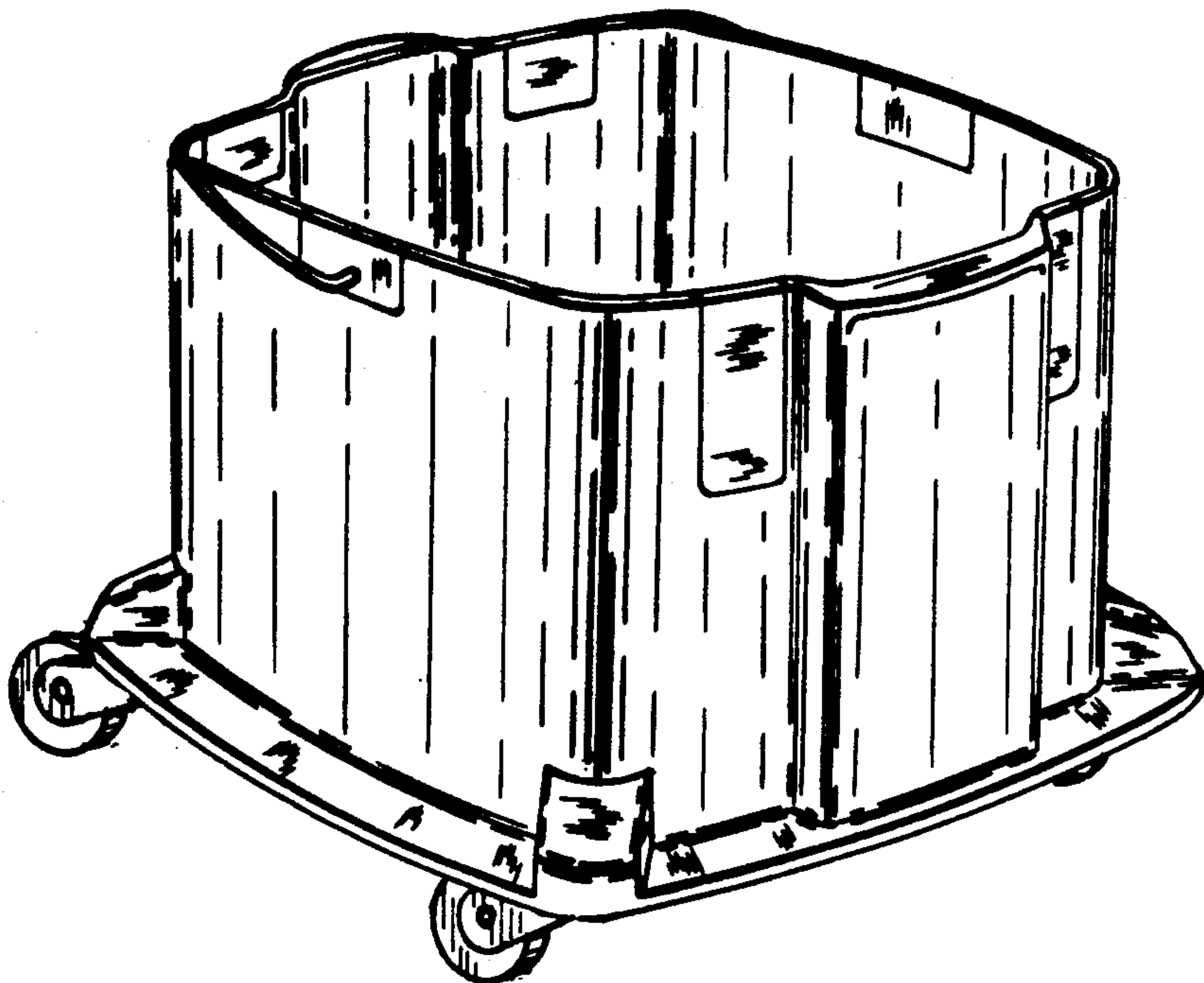
FIG. 1 is a top perspective view of a bucket, showing my new design;

FIG. 2 is a top plan view thereof;

FIG. 3 is a right side elevational view thereof;

FIG. 4 is a front elevational view thereof.

FIG. 5 is a bottom plan view thereof.



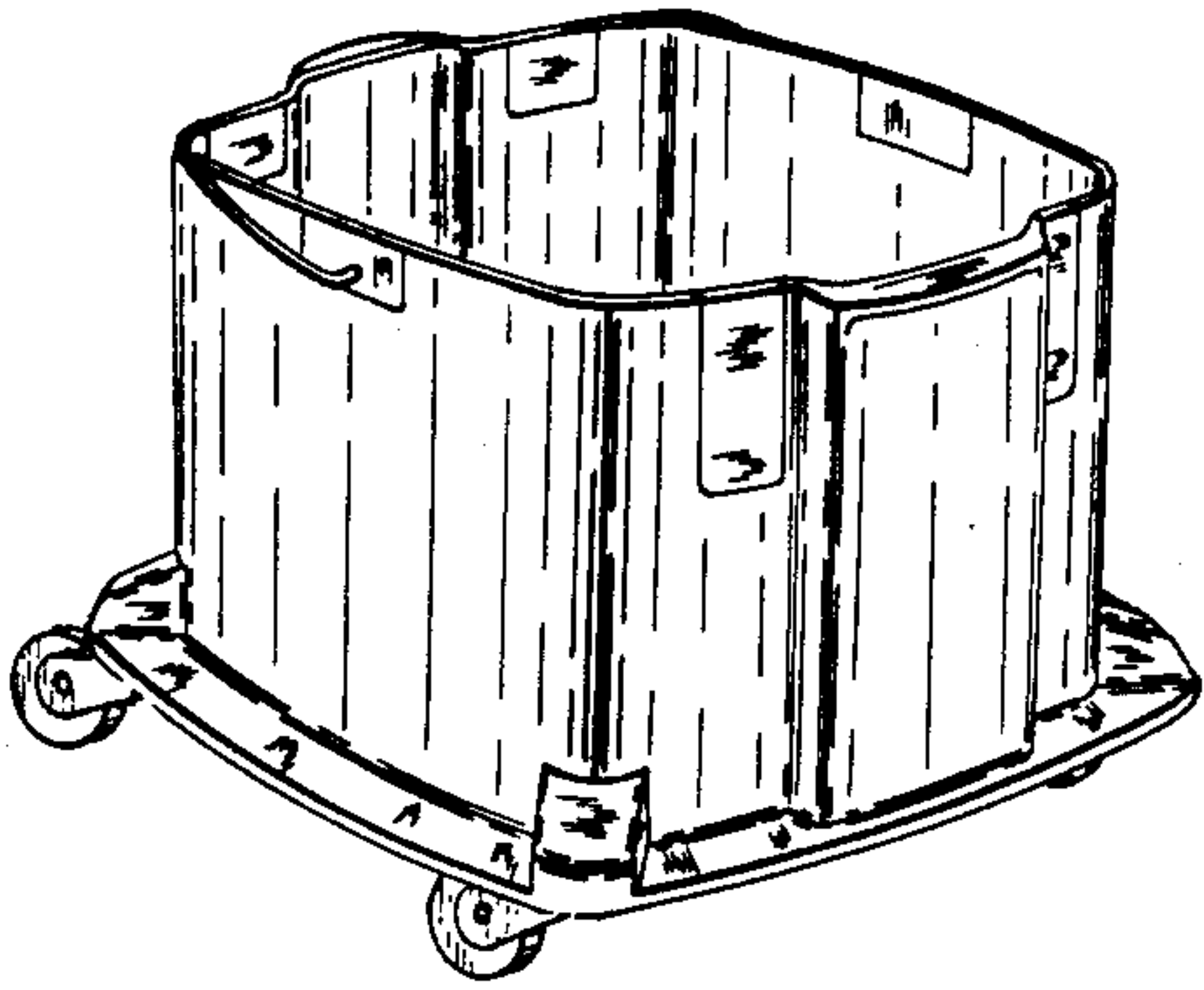


FIG. 1.

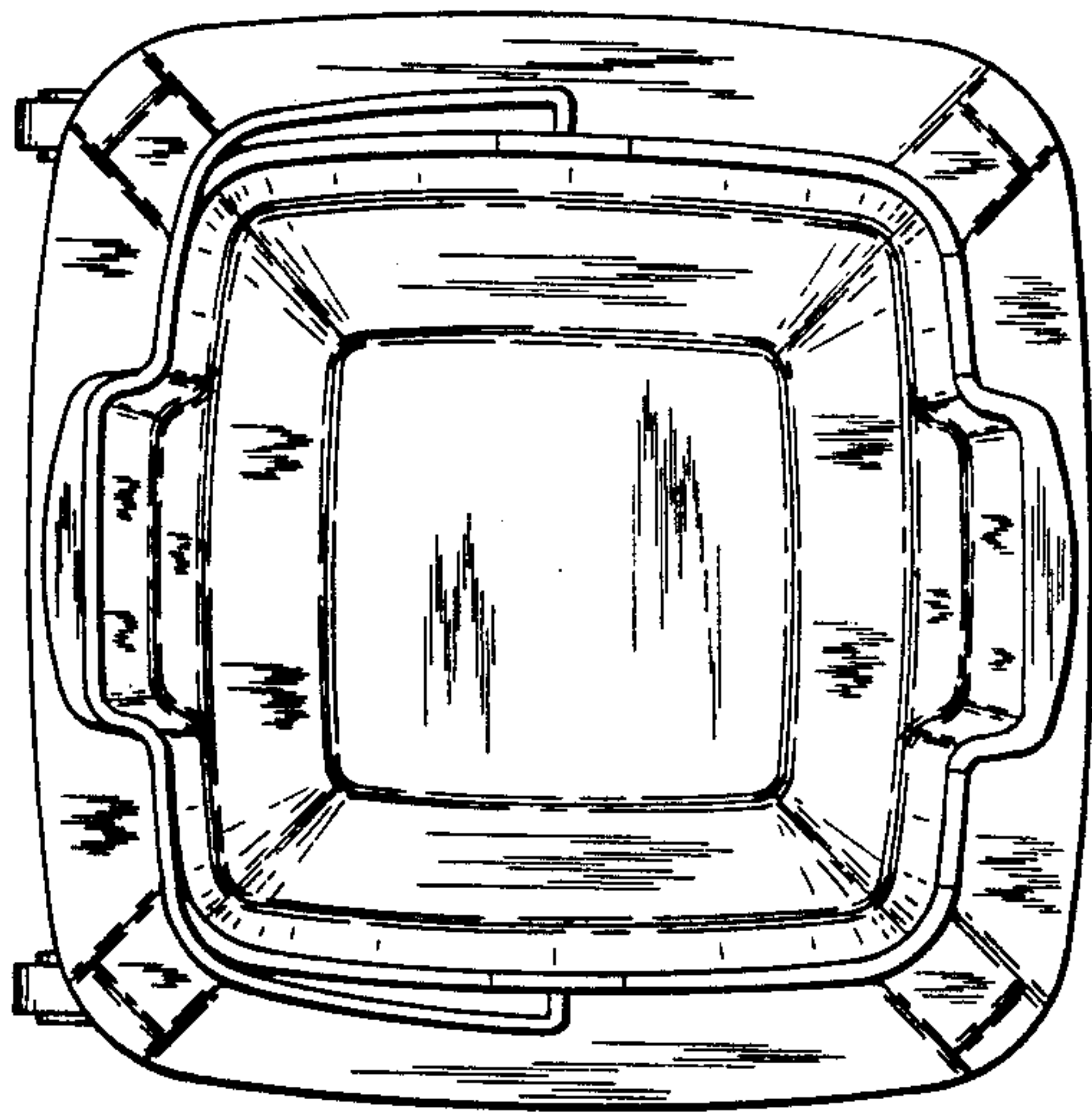


FIG. 2.

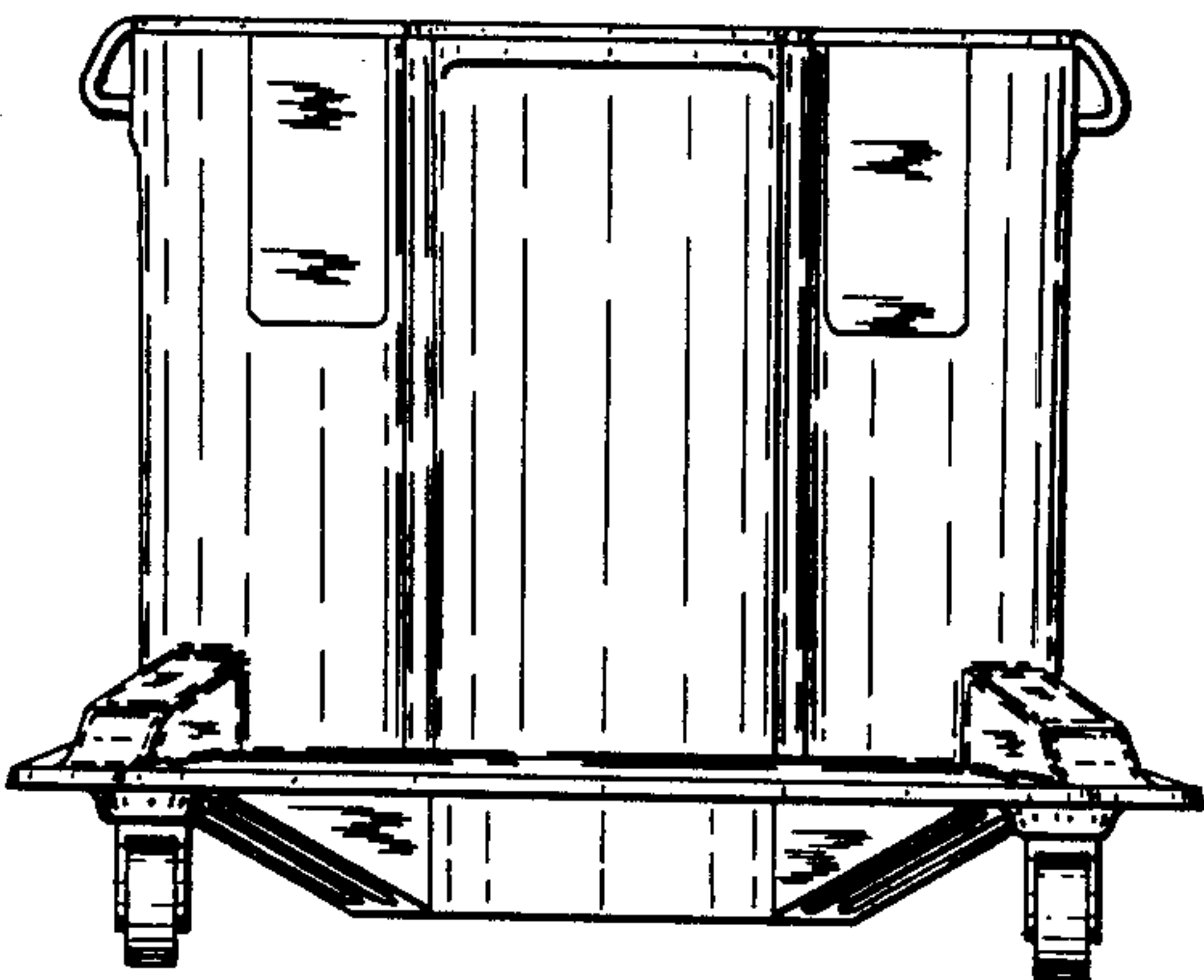


FIG. 3.

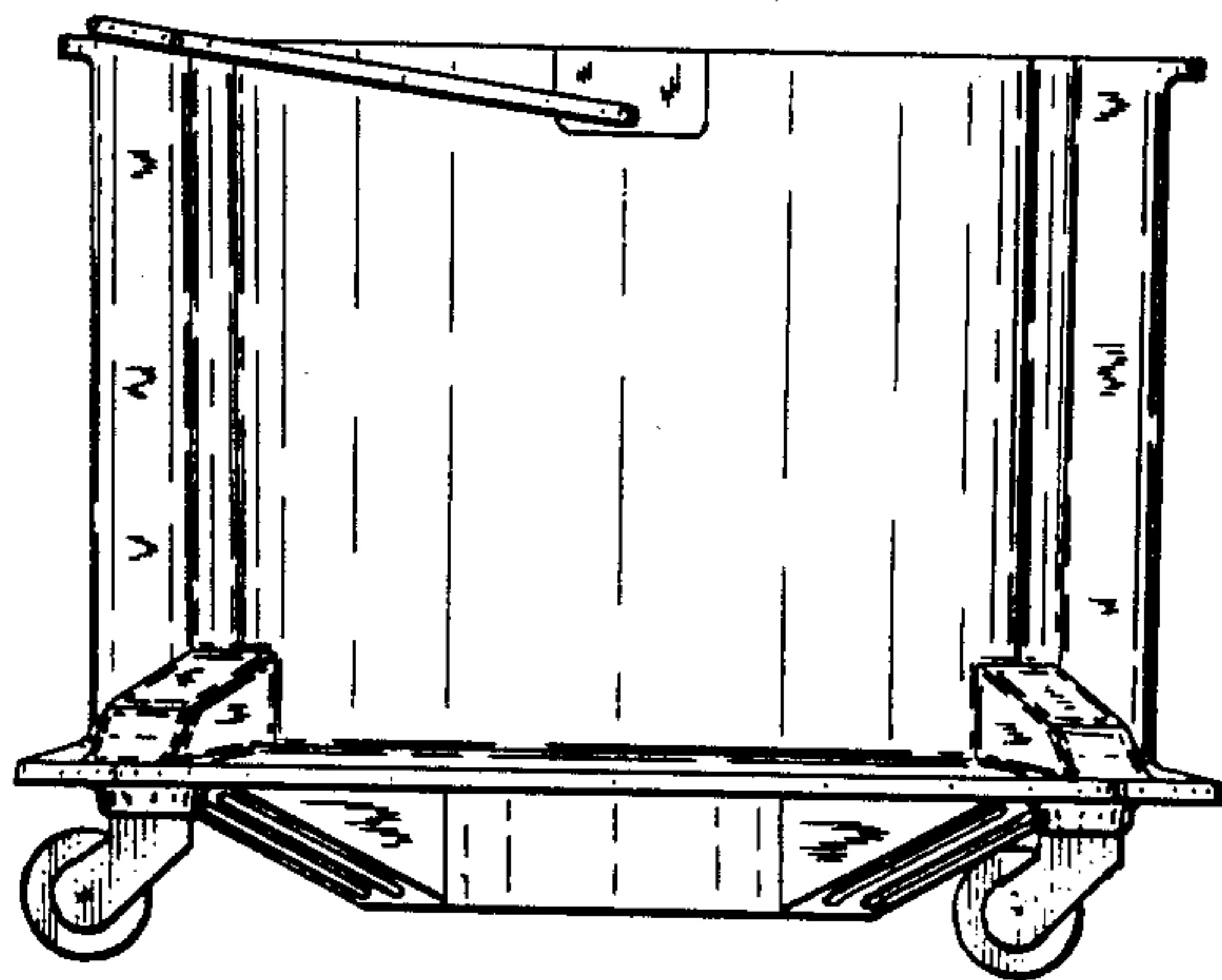


FIG. 4.

FIG. 5.

