

[54] PAPER ROLL HOLDER FOR TOILET PAPER OR SIMILAR ARTICLE

[75] Inventor: Lars Lander, Zug, Switzerland

[73] Assignee: Cepasy AG, Zug, Switzerland

[**] Term: 14 Years

[21] Appl. No.: 801,297

[22] Filed: May 27, 1977

[30] Foreign Application Priority Data

Dec. 9, 1976 [CH] Switzerland 64176/76

[51] Int. Cl. D23-02; D7-01

[52] U.S. Cl. D6/97; D7/17

[58] Field of Search D6/86, 89, 90-92, D6/94, 96, 97, 99-102, 114, 13, 132, 136; D7/17, 18; 242/55.2, 55.3; 312/39, 41

[56] References Cited

U.S. PATENT DOCUMENTS

603,316 5/1898 Bush 312/39
876,282 1/1908 Parmenter 312/39

OTHER PUBLICATIONS

Dimco Plastic Knobs Cat. 66, p. 8, Knob 256 (upper right).

Primary Examiner—Wallace R. Burke

Assistant Examiner—B. J. Bullock

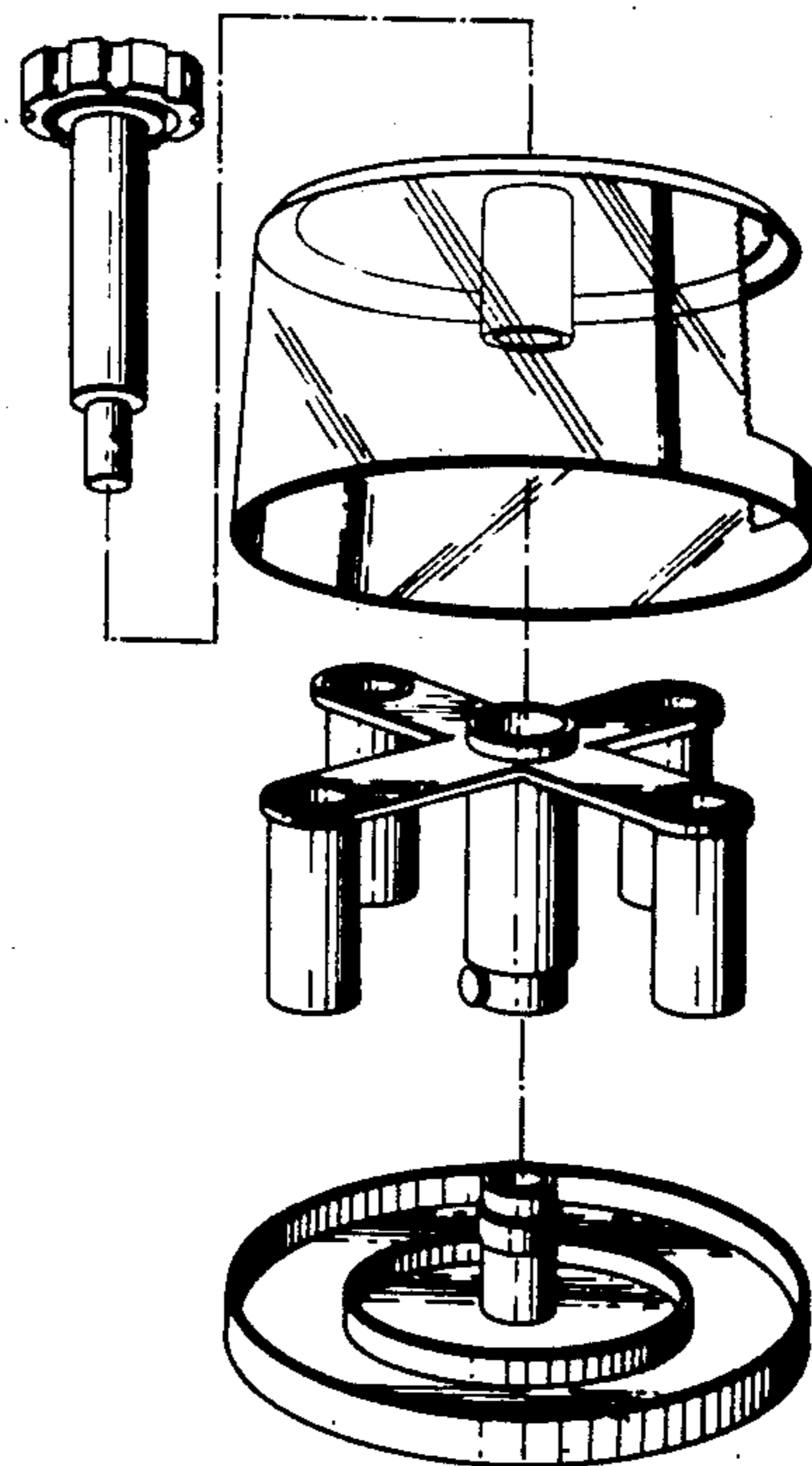
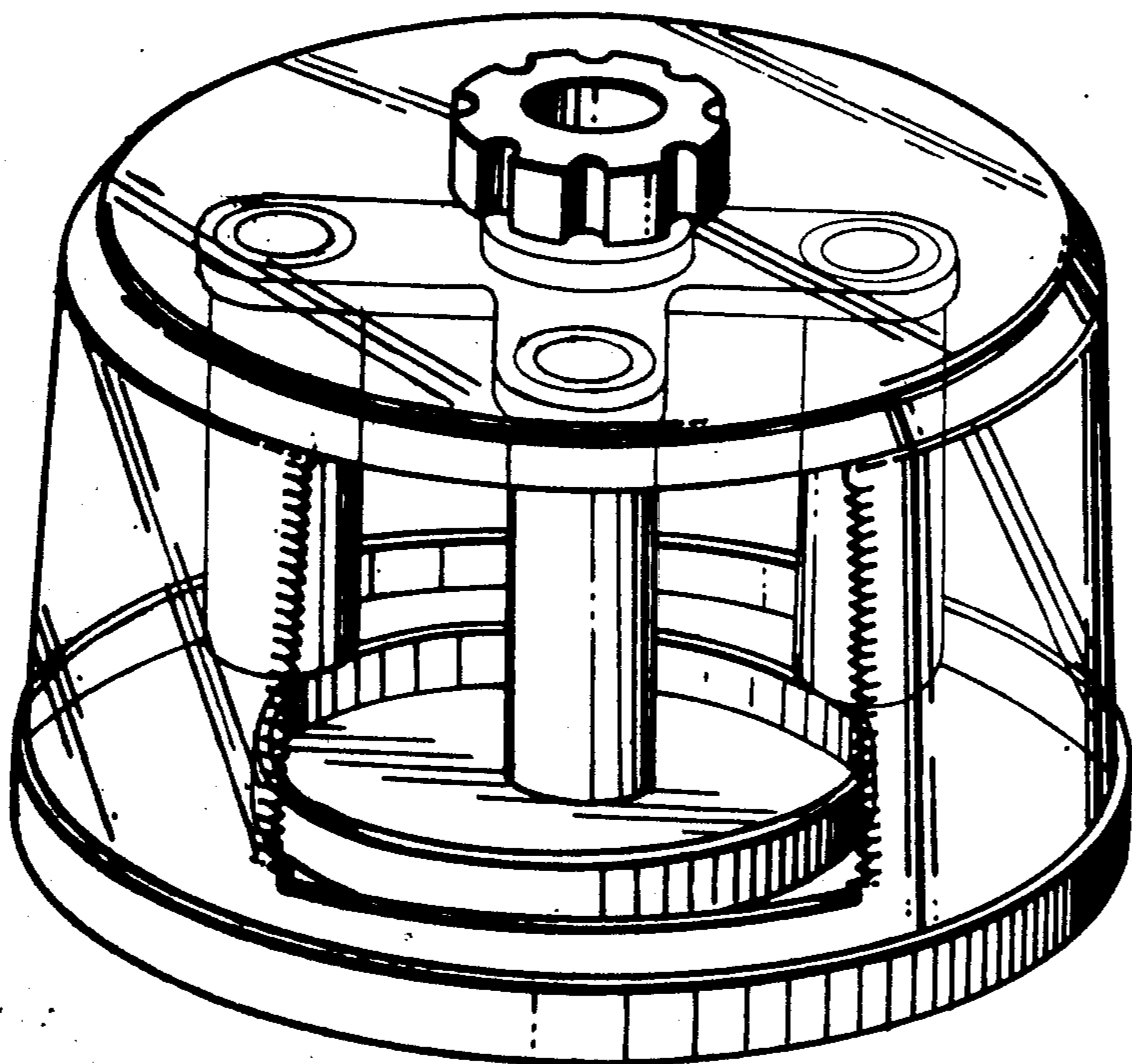
Attorney, Agent, or Firm—Werner W. Kleeman

[57] CLAIM

The ornamental design for a paper roll holder for toilet paper or similar article, as shown and described.

DESCRIPTION

FIG. 1 is a perspective view of a paper roll holder for toilet paper or similar article showing my new design; FIG. 2 is a front elevational view thereof; FIG. 3 is a rear elevational view thereof; FIG. 4 is a side elevational view taken from the left of FIG. 2; FIG. 5 is a side elevational view taken from the right of FIG. 2; FIG. 6 is a bottom plan view thereof; FIG. 7 is a top plan view thereof; and FIG. 8 is an exploded perspective view thereof.



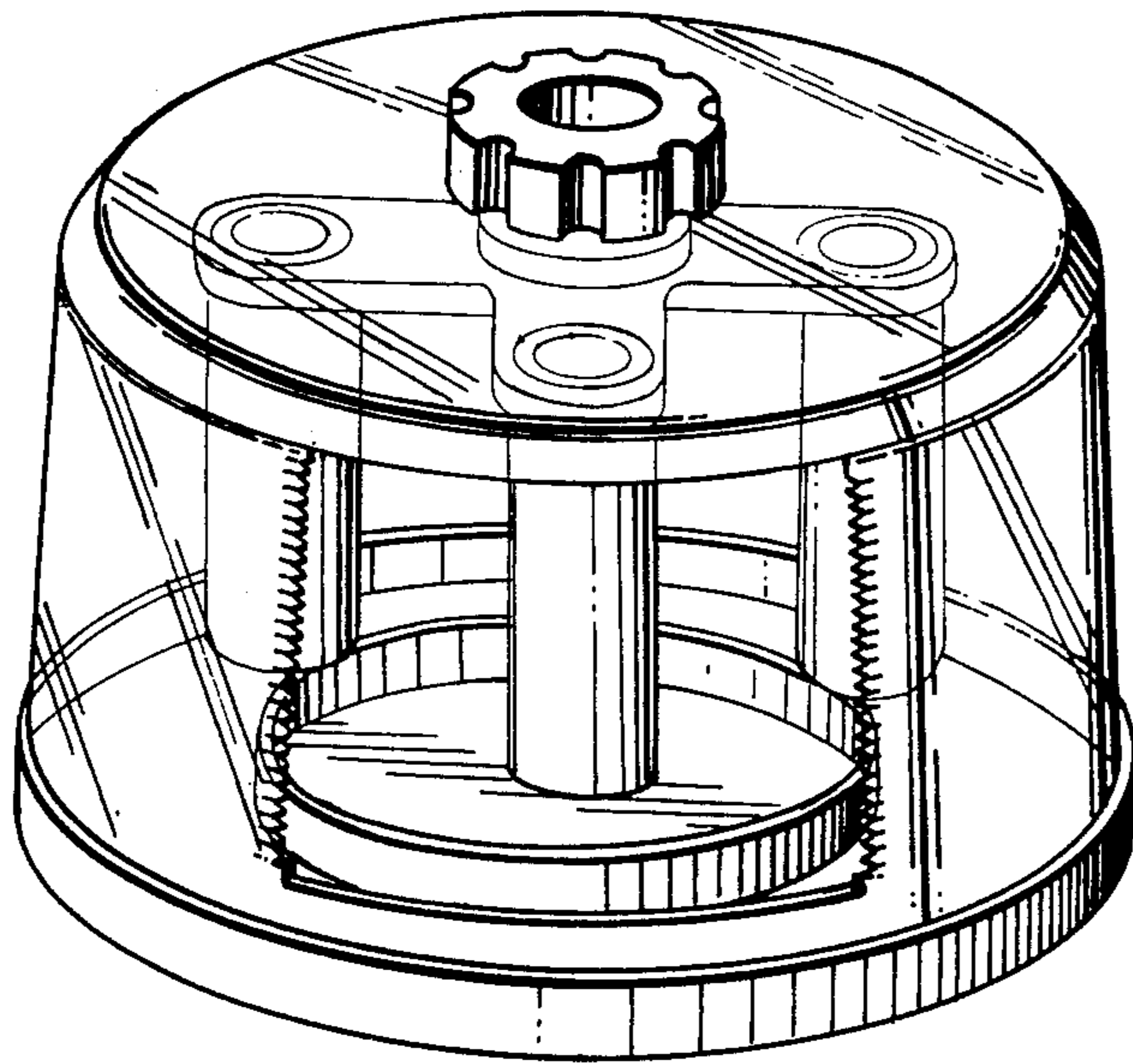
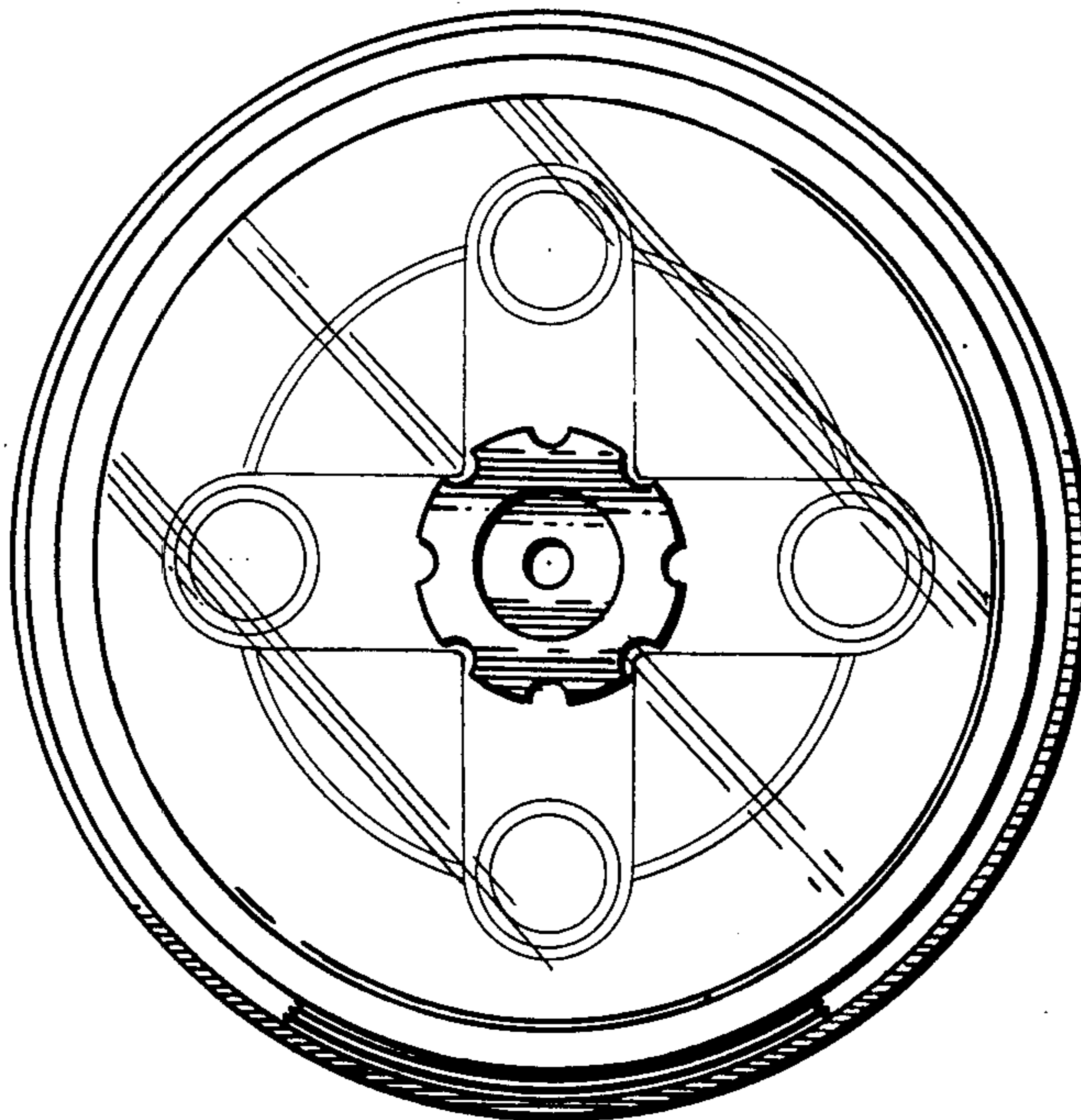


FIG. 1

FIG. 2



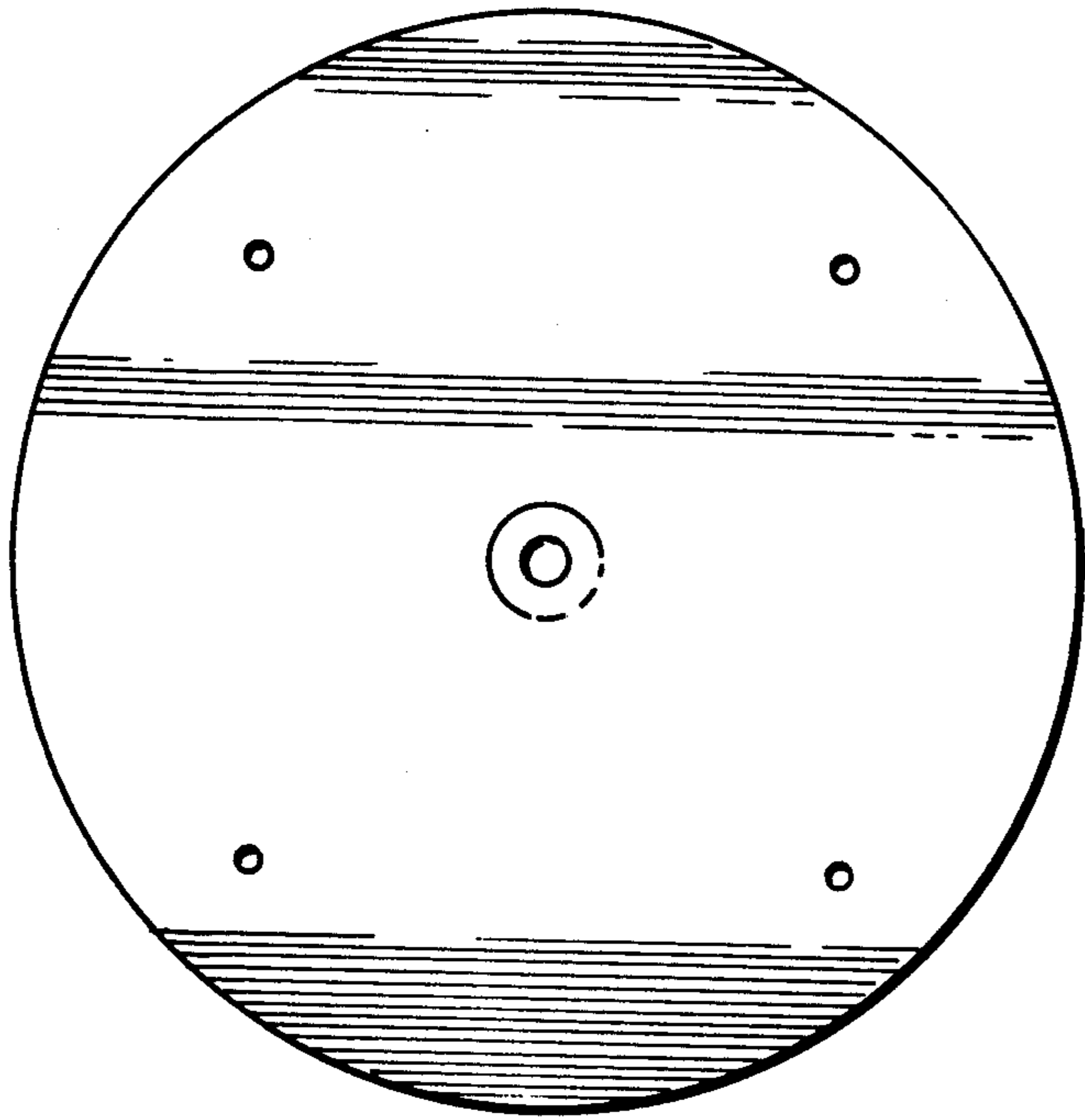


FIG. 3

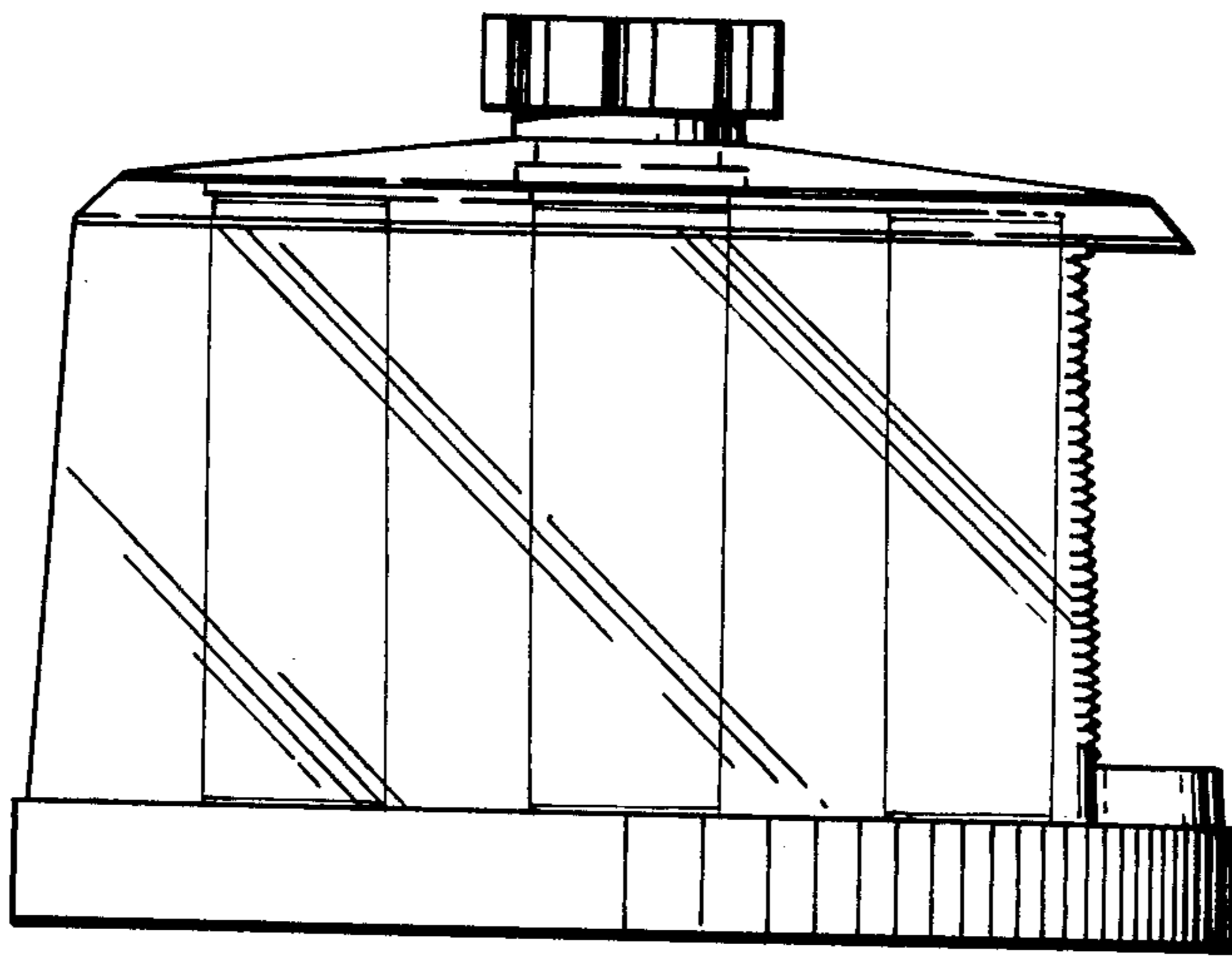


FIG. 4

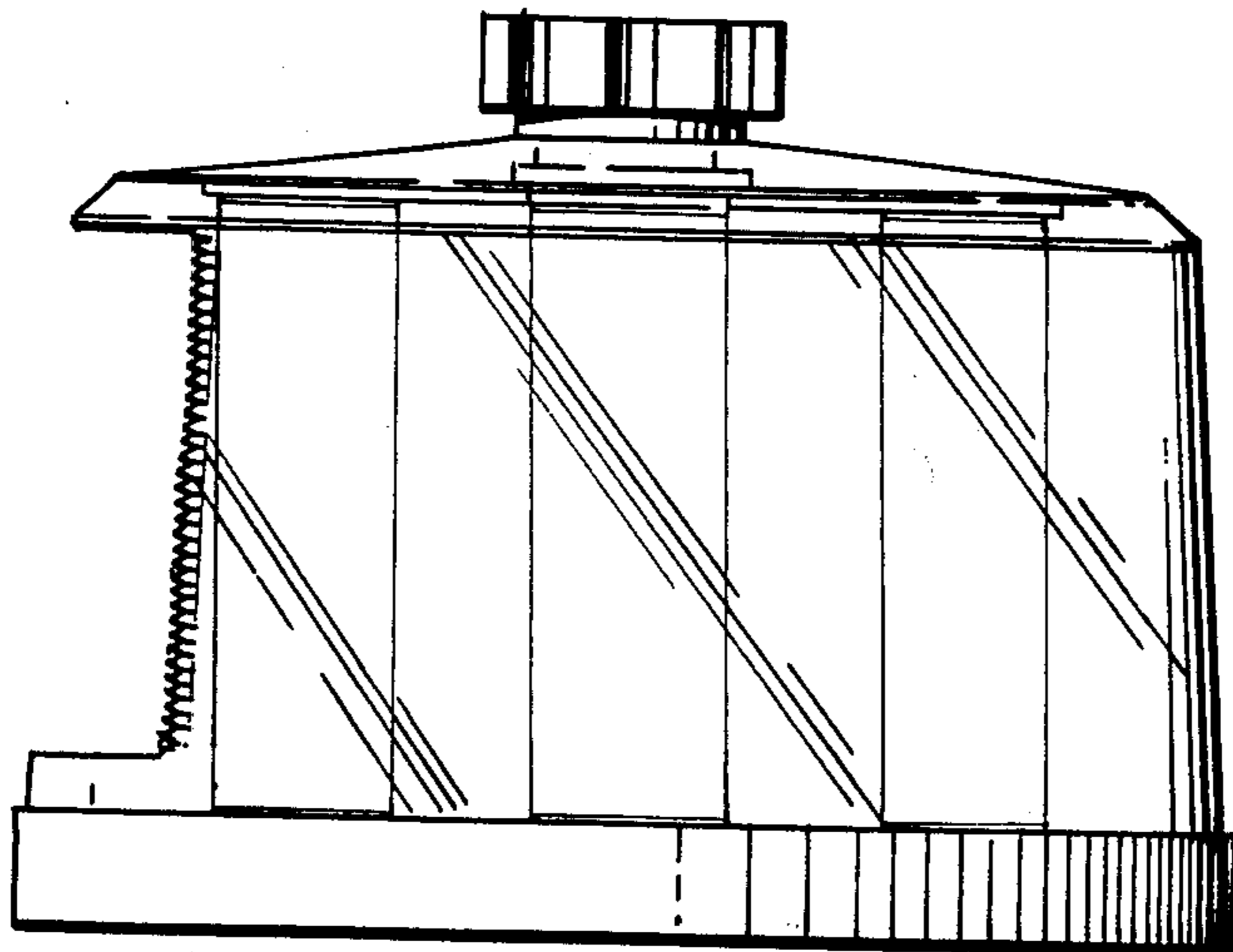


FIG. 5

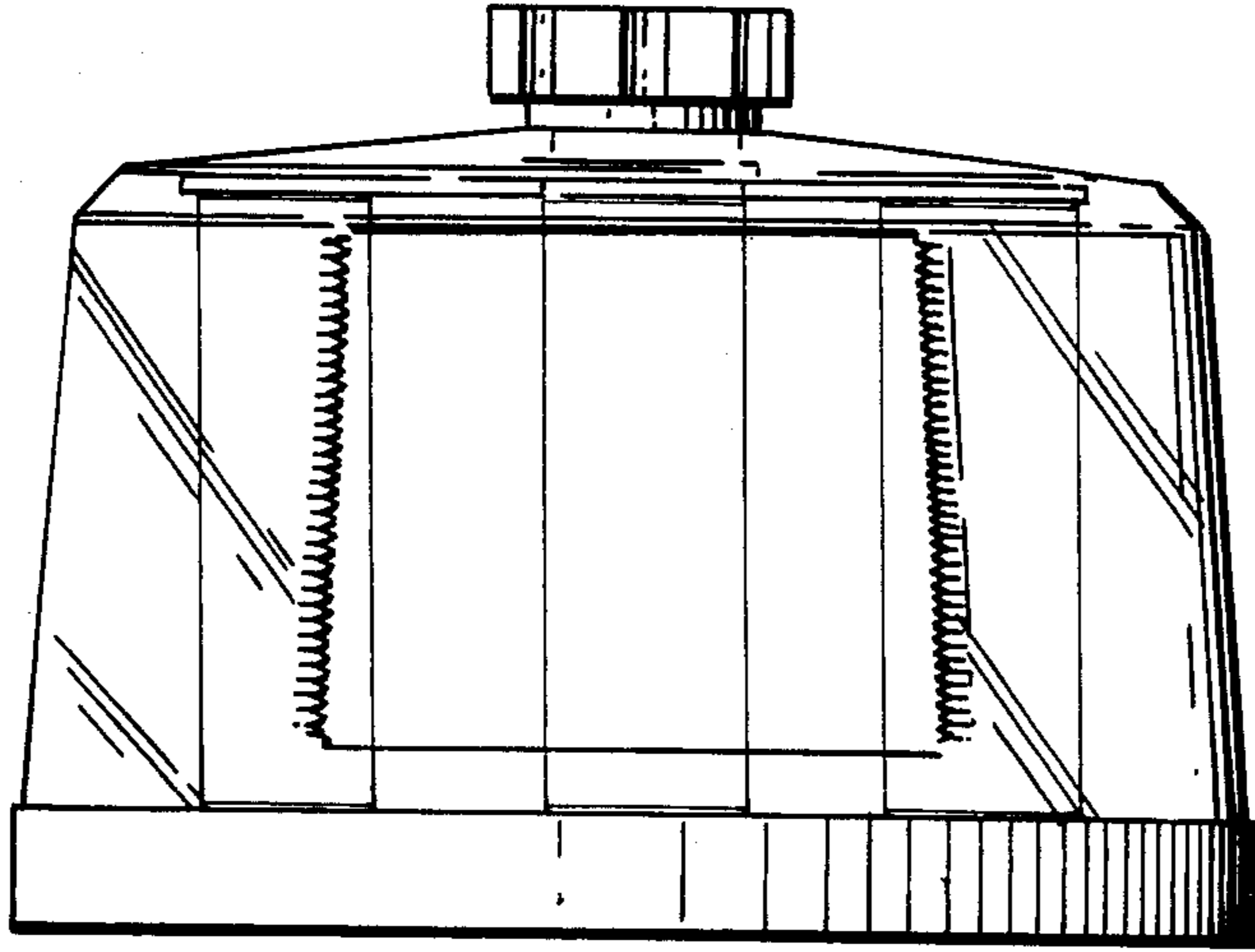


FIG. 6

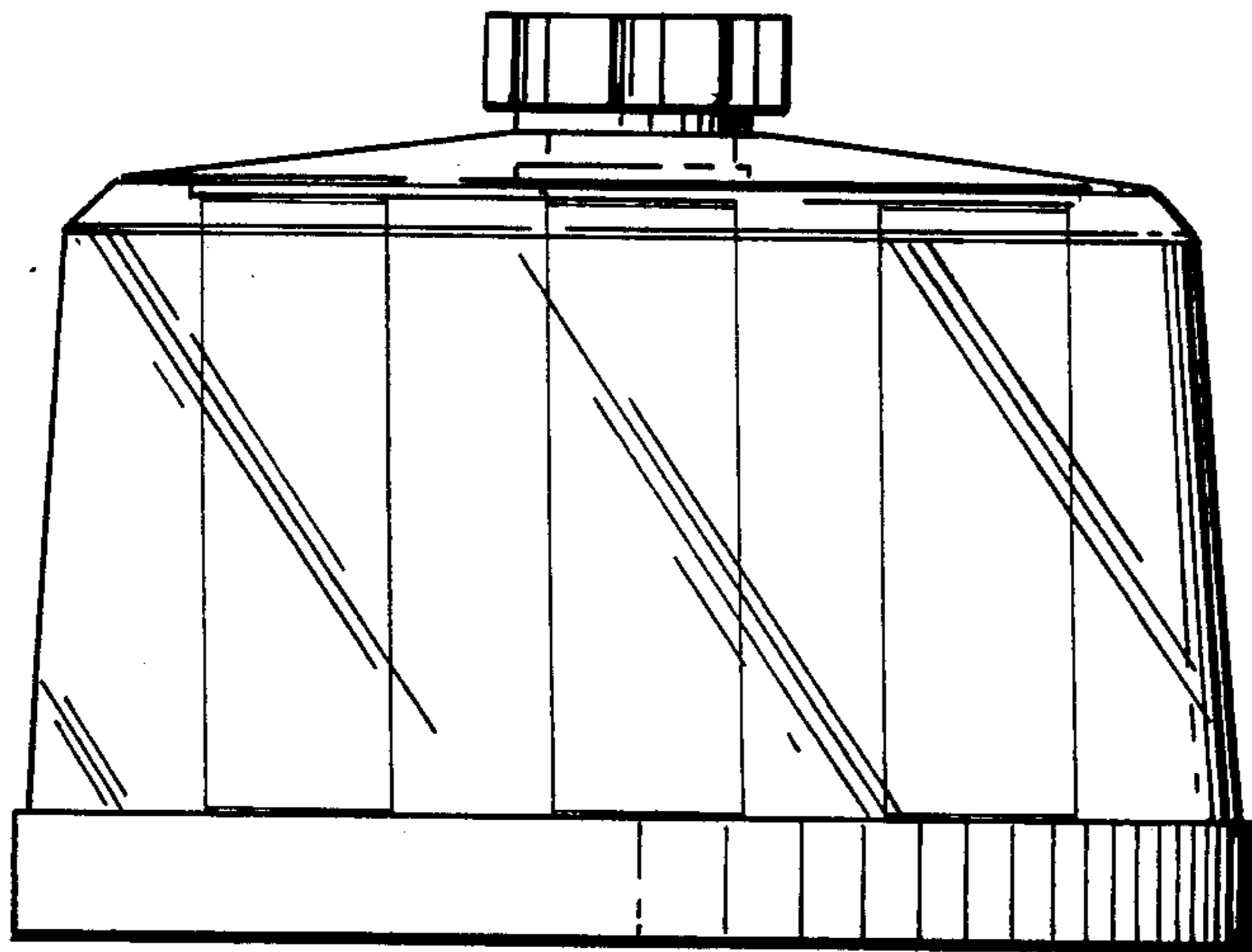


FIG. 7

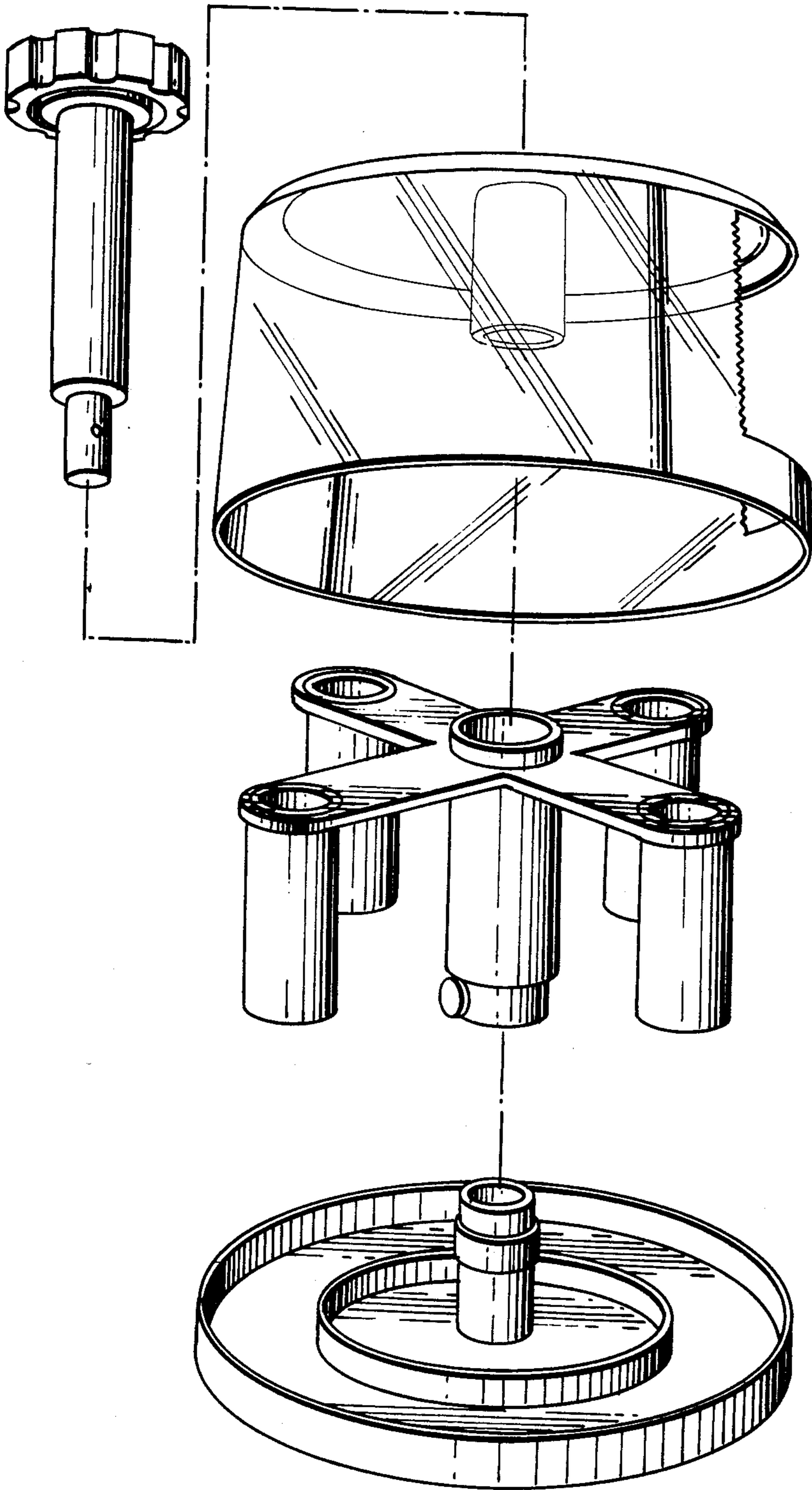


FIG. 8