

[54] OUTDOOR LIGHT FIXTURE

[76] Inventor: Paul W. Tirsbier, 1734 S. Martine Ave., Scotch Plains, N.J. 07076

[\*\*] Term: 14 Years

[21] Appl. No.: 821,287

[22] Filed: Aug. 1, 1977

[51] Int. Cl. .... D26-03

[52] U.S. Cl. .... D48/35

[58] Field of Search ..... D48/23 R, 35, 36, 37, D48/38; 362/310, 307, 308, 309, 311, 362, 363, 431, 373, 374, 404

[56] References Cited

PUBLICATIONS

Lighting & Lamps, Jun. 1952, p. 7-Post Lantern.  
Nulco Mfg. Corp. Lanterns Catalog, 1961, p. 24, Lantern #2425.  
Nulco Mfg. Corp. Lanterns Catalog, 1961, p. 28, Lantern #3737.

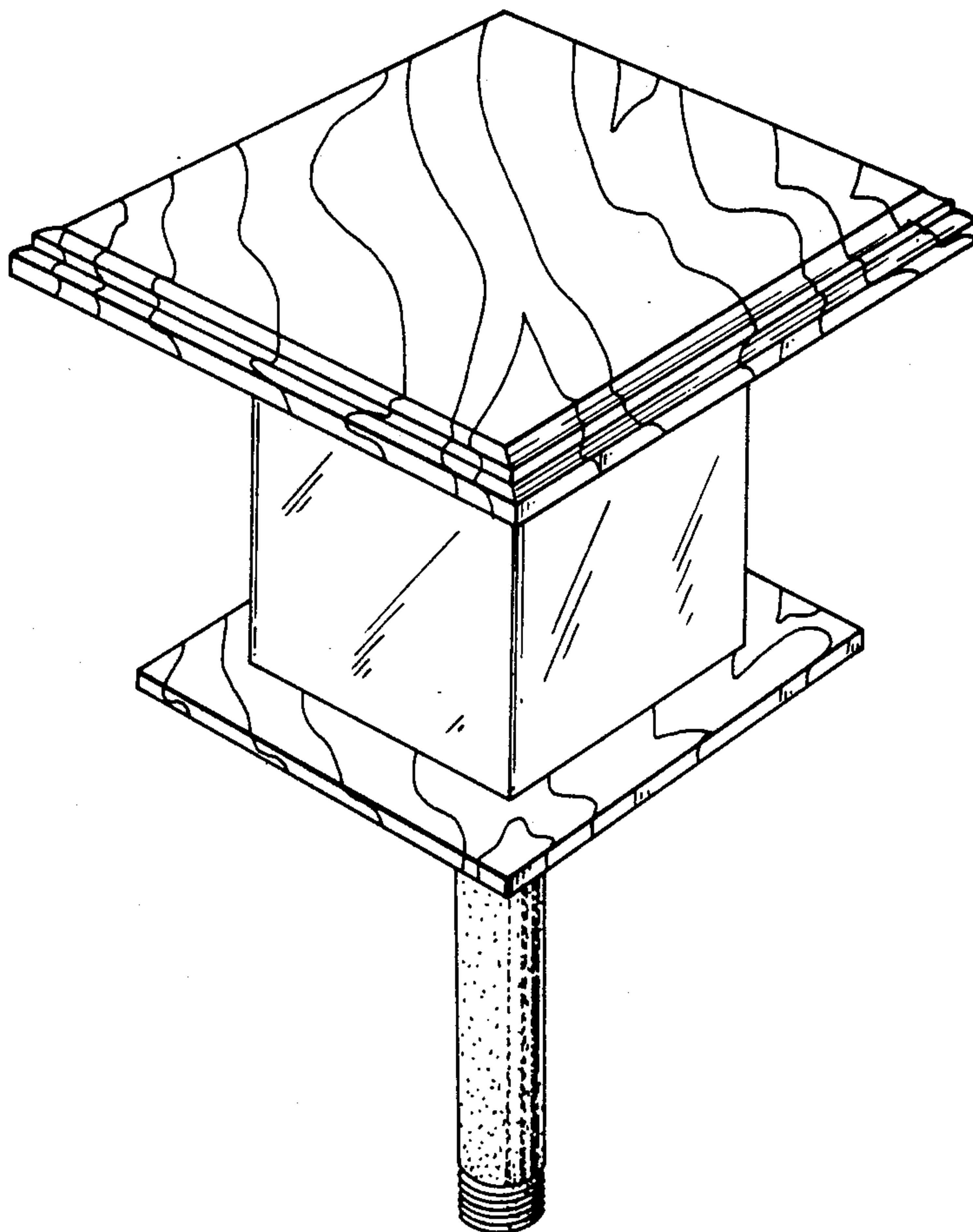
Primary Examiner—Susan J. Lucas  
Attorney, Agent, or Firm—Lawrence I. Lerner

[57] CLAIM

The ornamental design for an outdoor light fixture, substantially as shown and described.

DESCRIPTION

FIG. 1 is a perspective view of an outdoor light fixture showing my new design;  
FIG. 2 is a top plan view thereof;  
FIG. 3 is a bottom plan view thereof;  
FIG. 4 is a front elevational view thereof, the back elevational view being the same in appearance as the front elevational view;  
FIG. 5 is a side elevational view thereof, the opposite side being the same in appearance as the side shown;  
FIG. 6 is a perspective view of an outdoor light fixture showing a second embodiment of my new design;  
FIG. 7 is a top plan view of such second embodiment;  
FIG. 8 is a bottom plan view of such second embodiment;  
FIG. 9 is a front elevational view of such second embodiment, the back elevational view being the same in appearance as the front elevational view; and  
FIG. 10 is a side elevational view of such second embodiment, the opposite side being the same in appearance as the side shown.



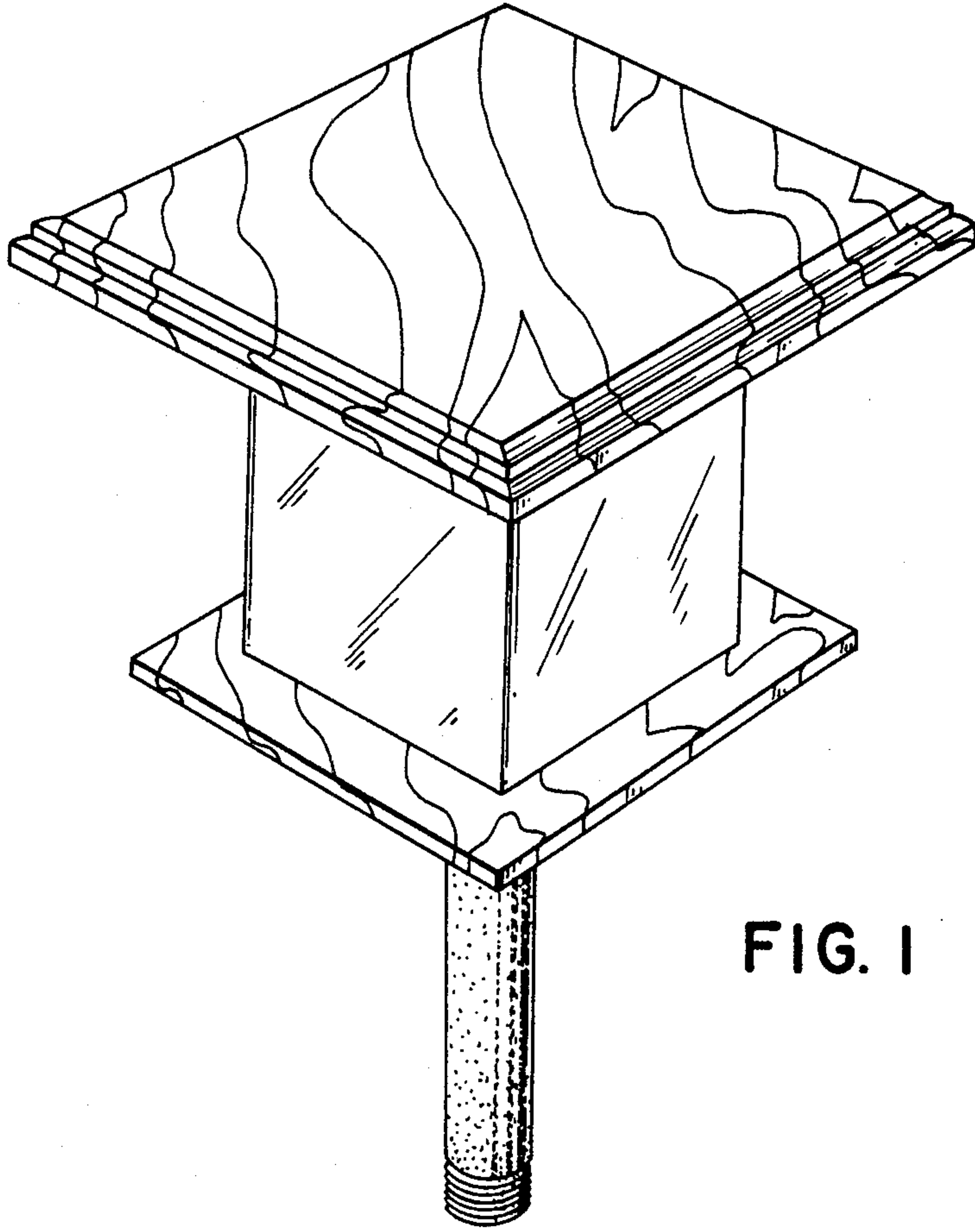


FIG. 1

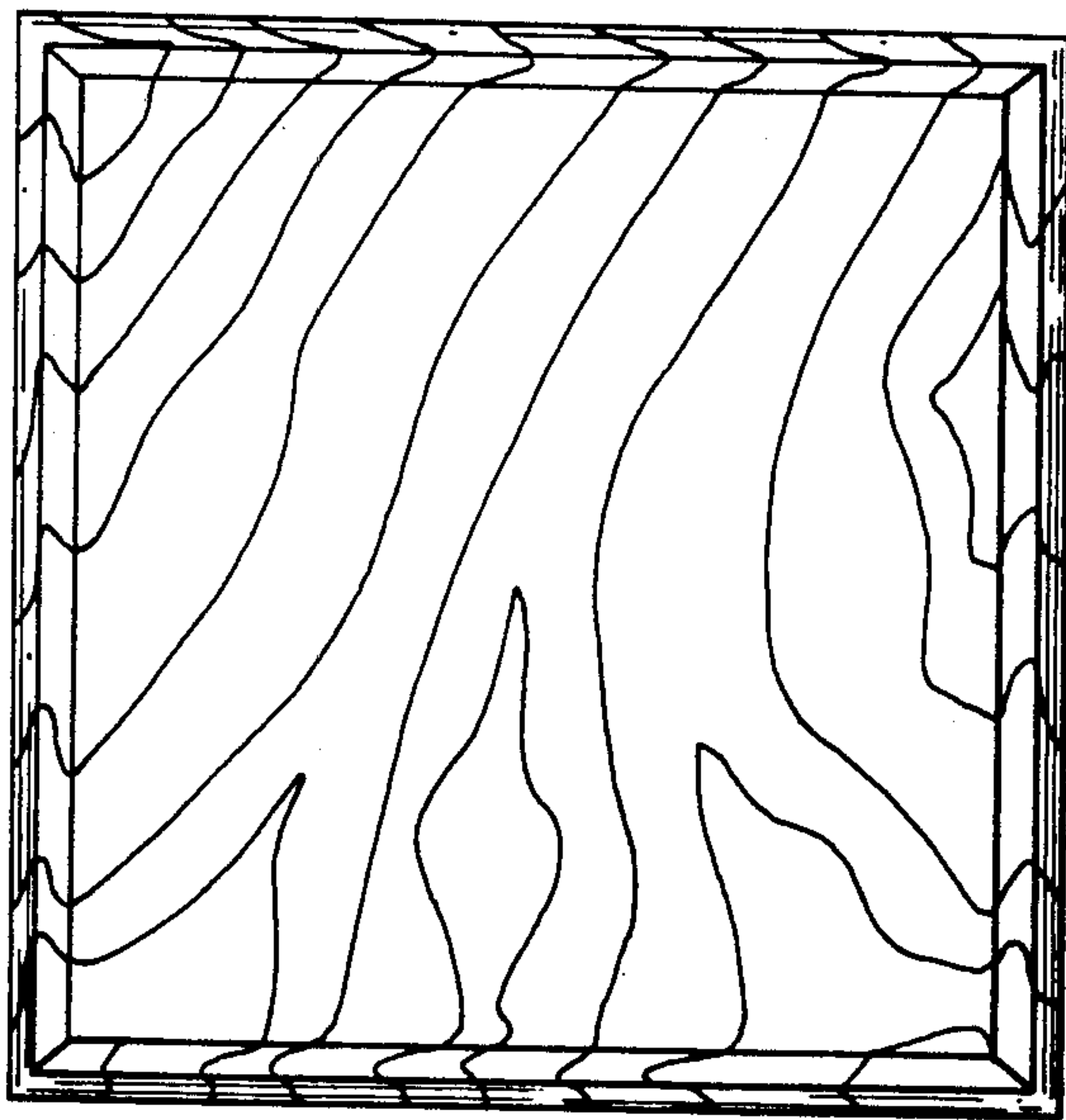


FIG. 2

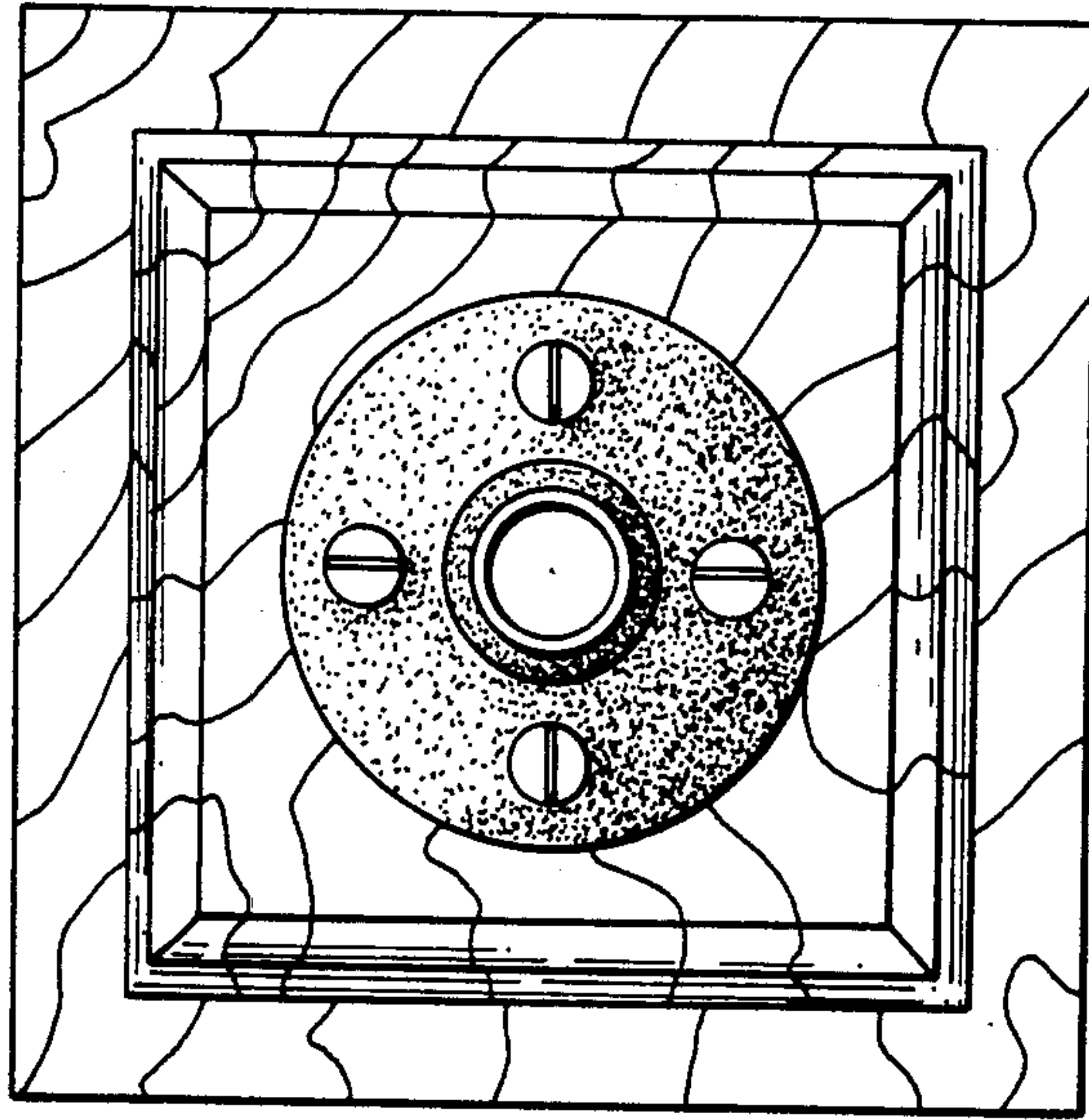


FIG. 3

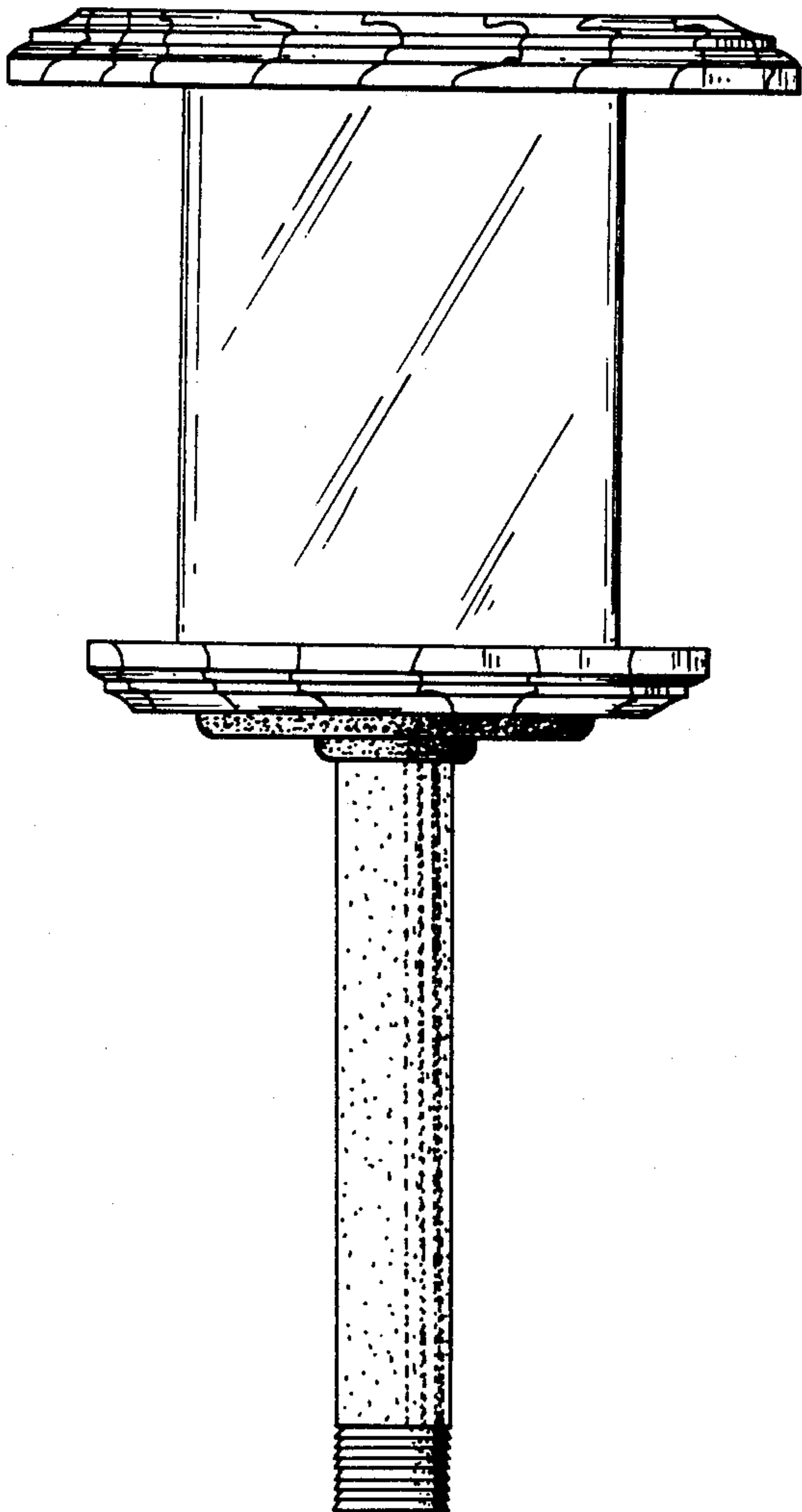


FIG. 4

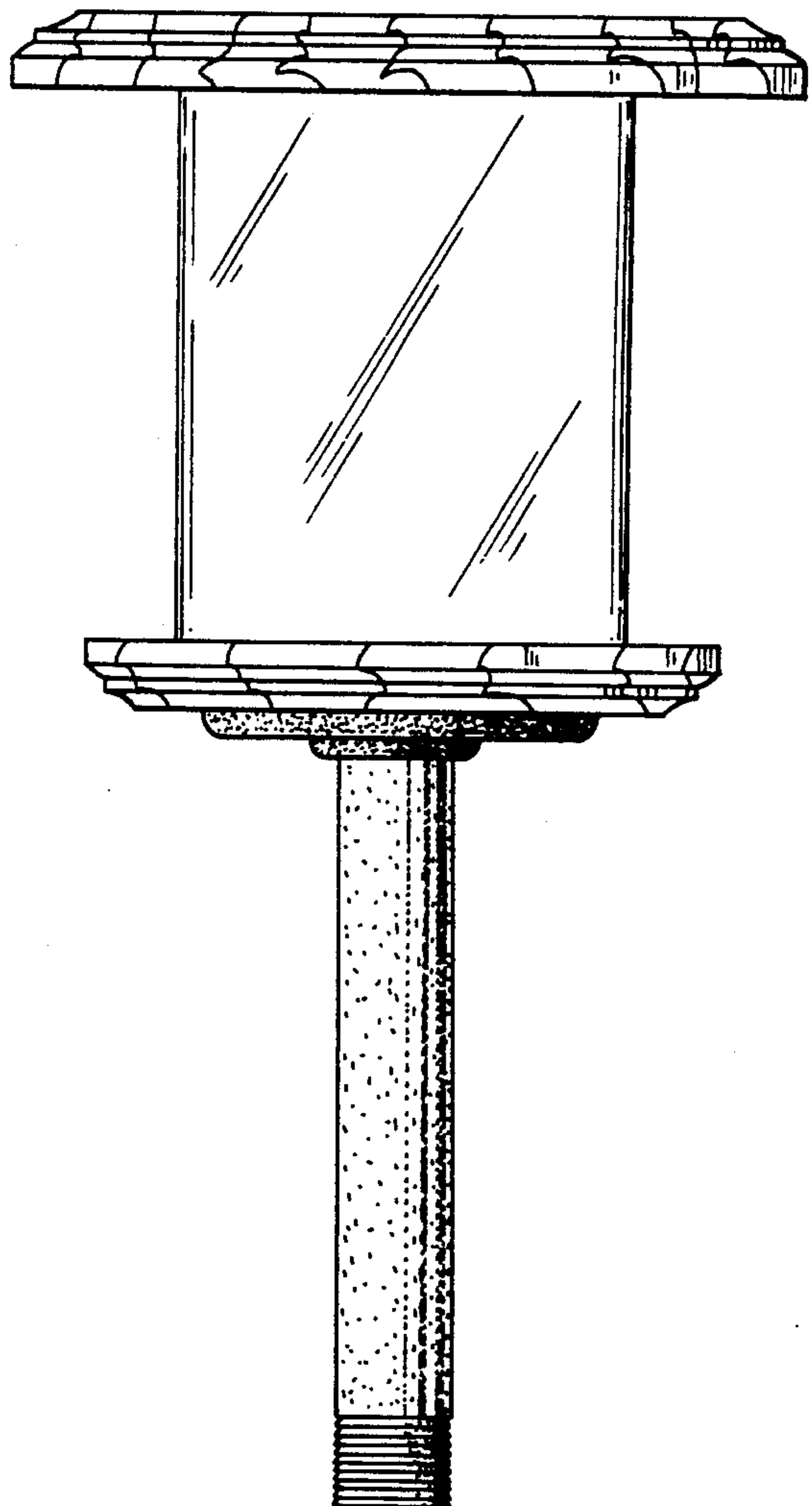


FIG. 5



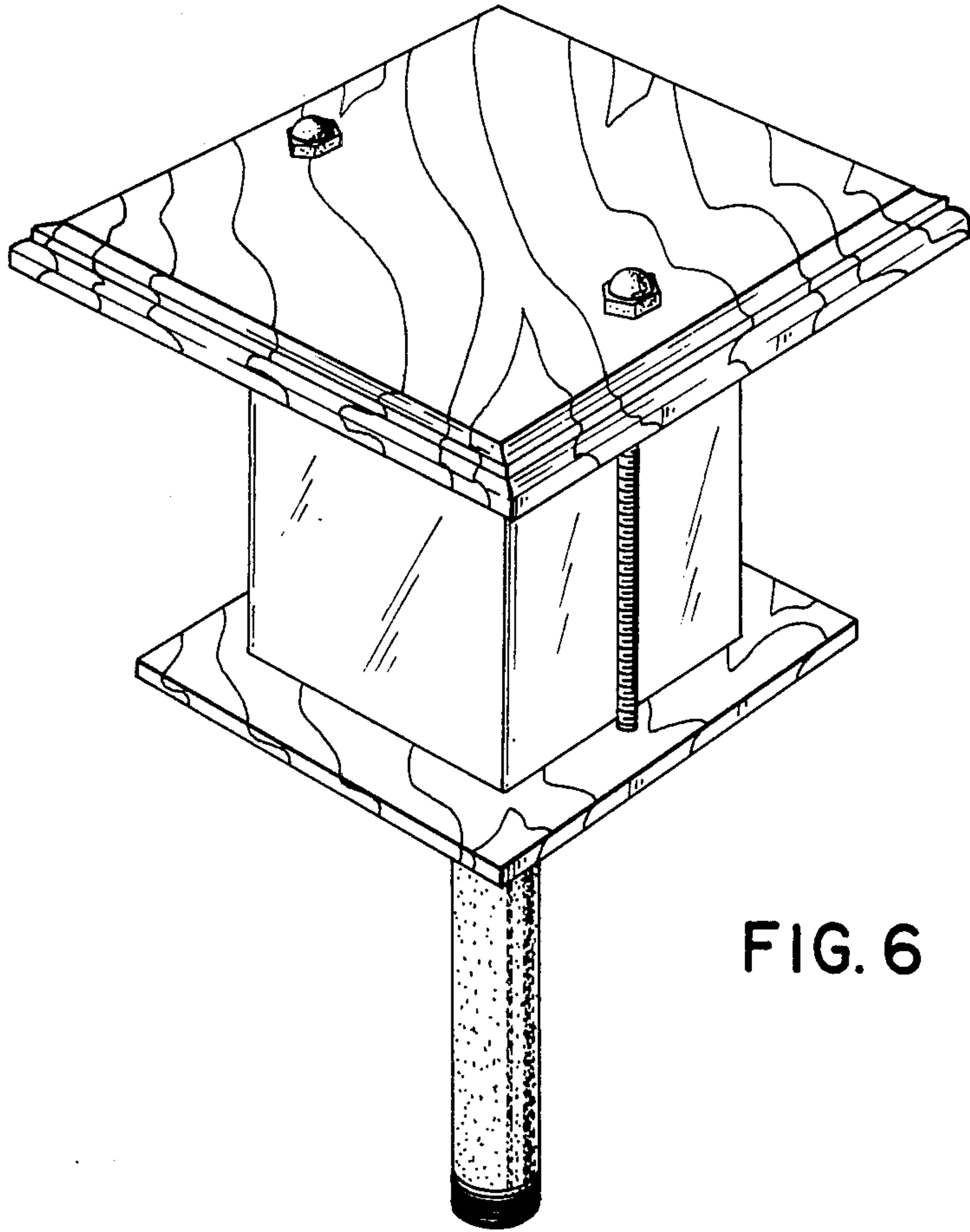


FIG. 6

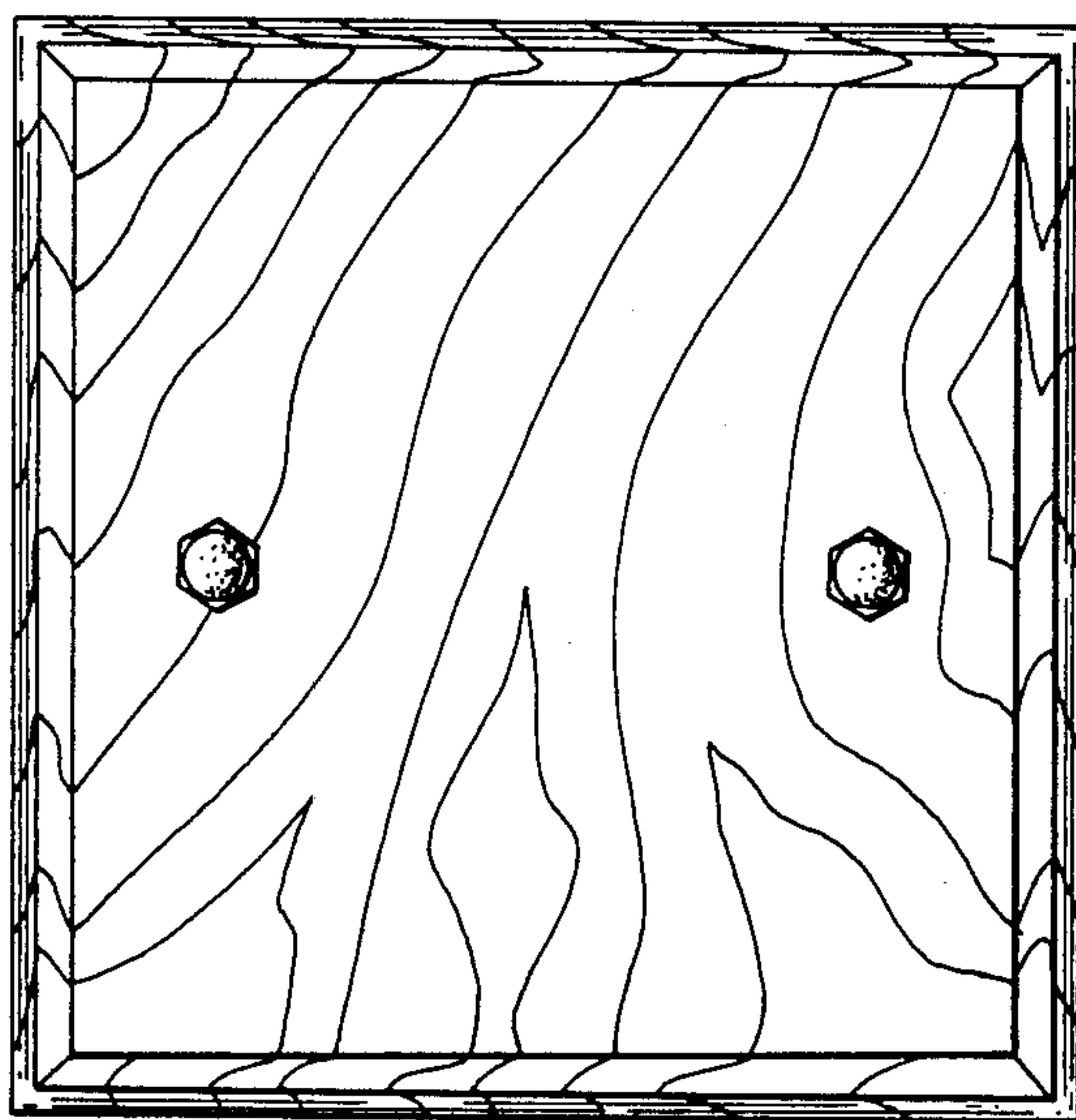


FIG. 7

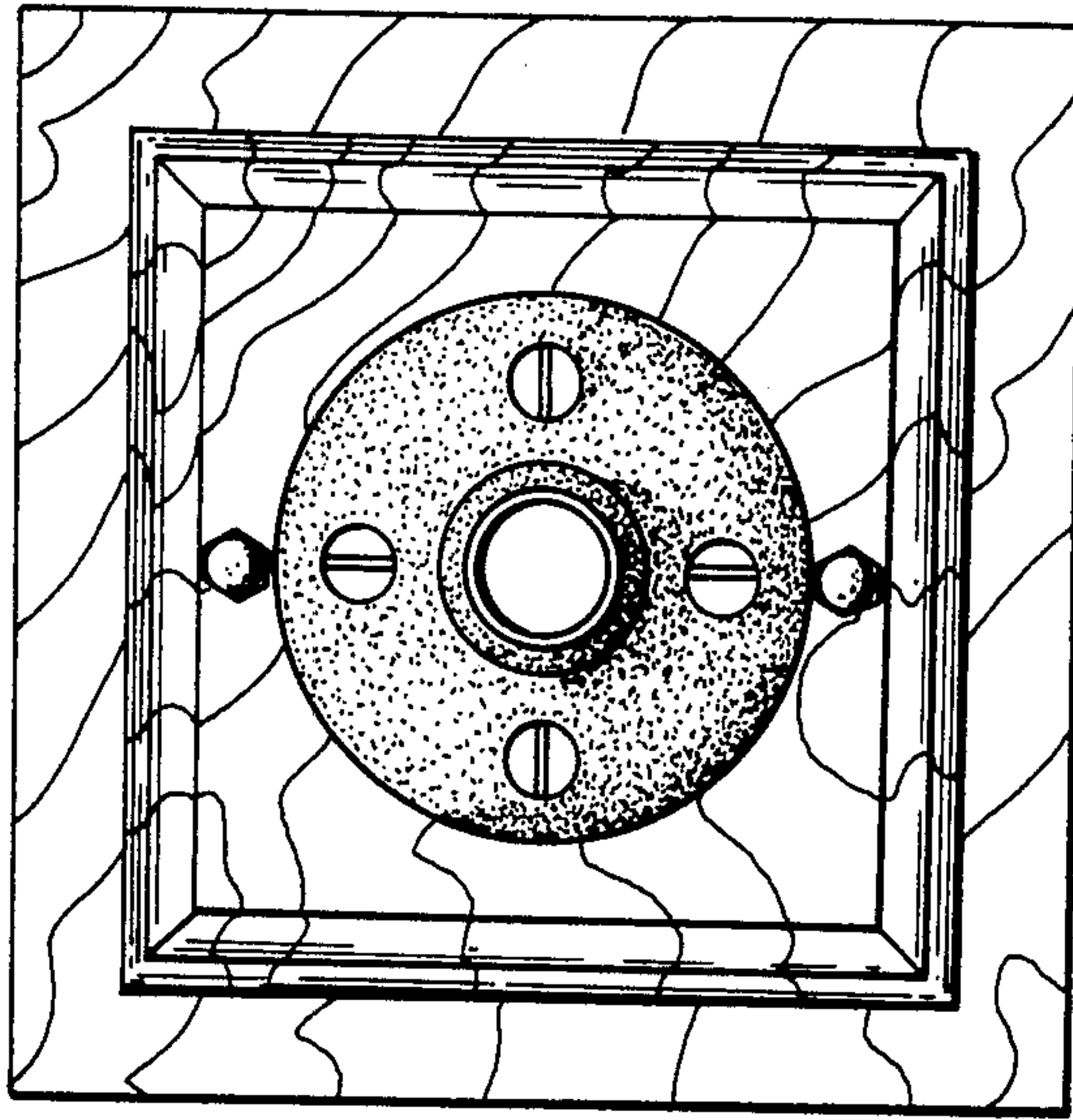


FIG. 8

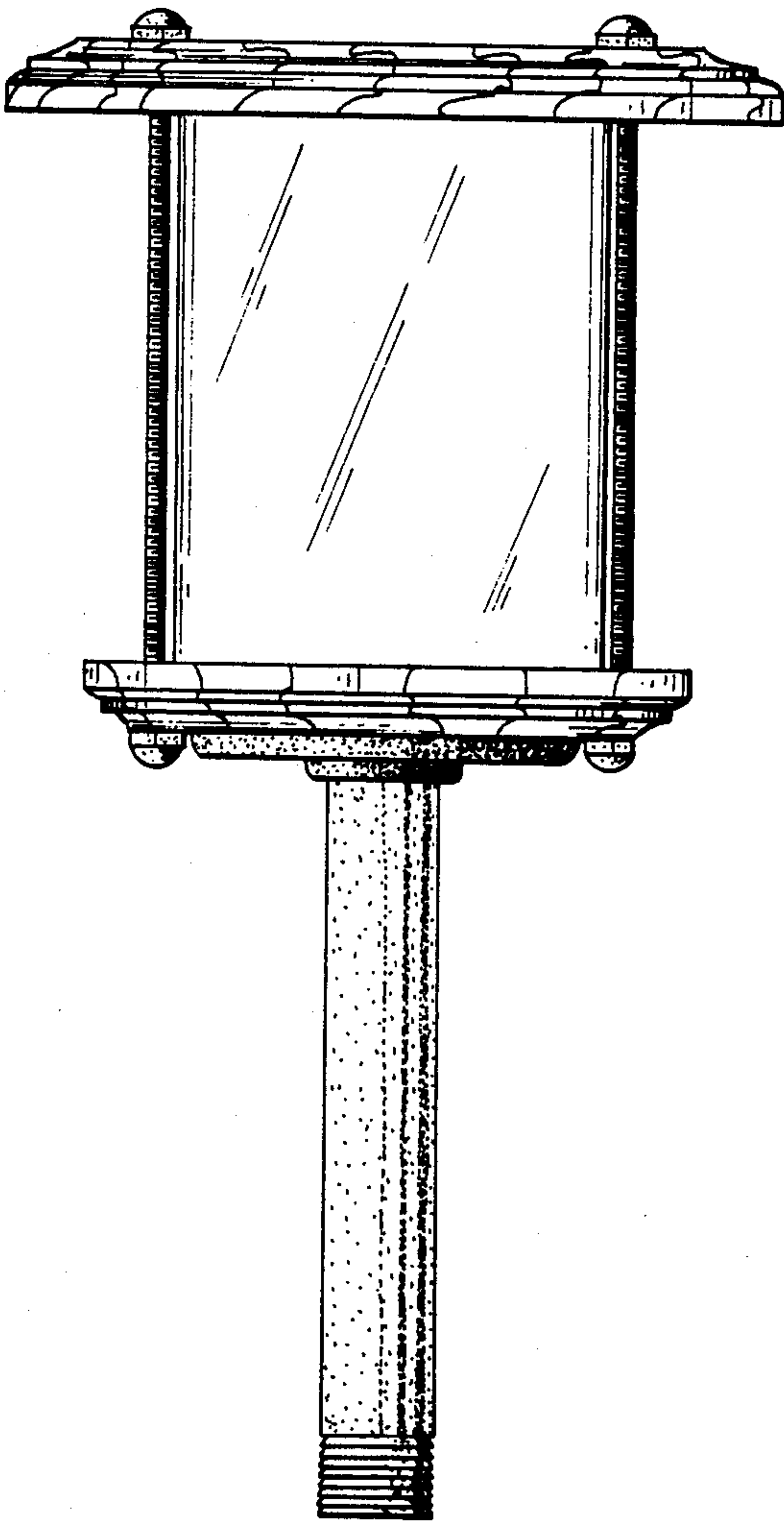


FIG. 9

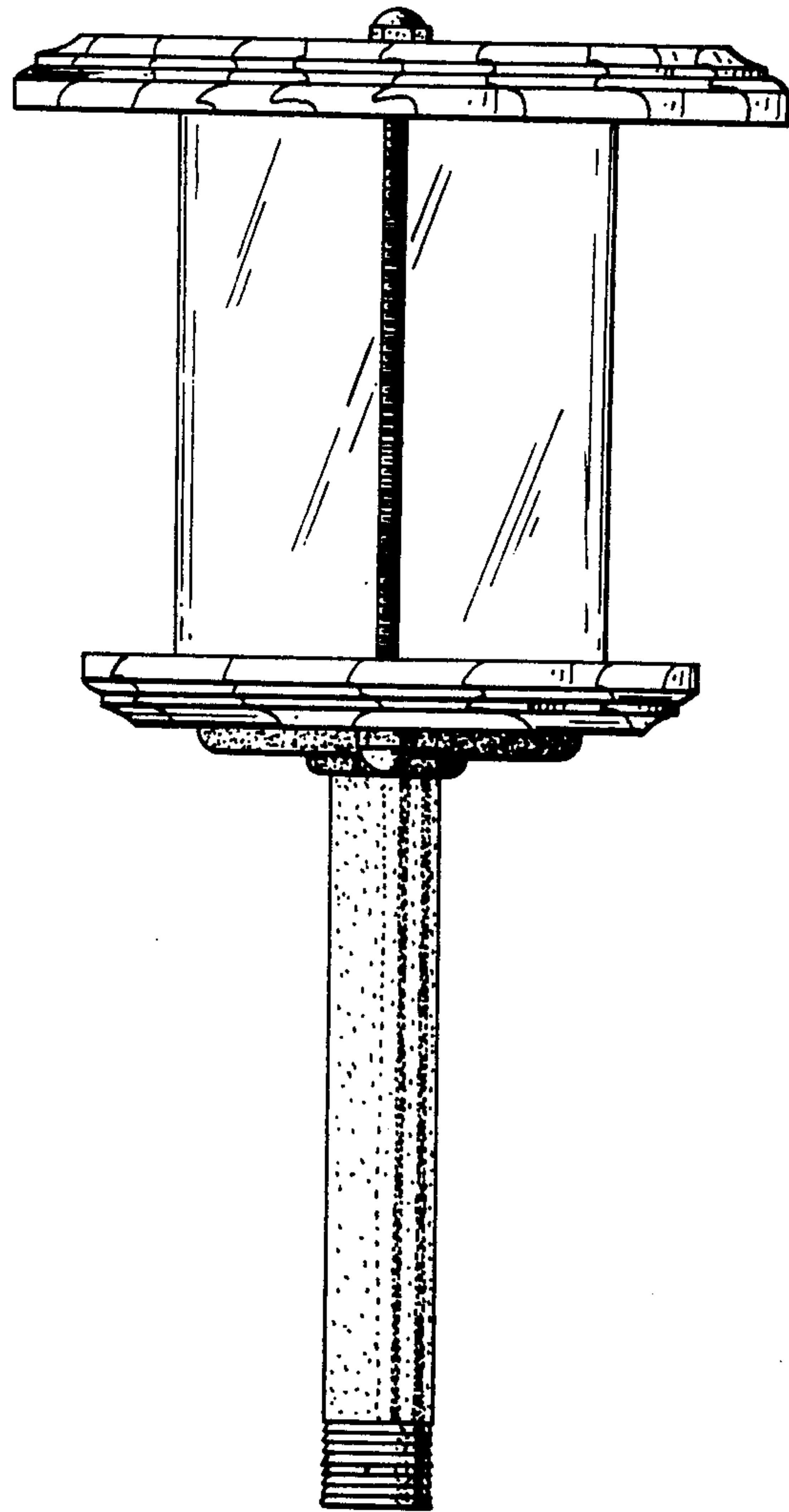


FIG. 10