

[54] WARNING LAMP

[75] Inventors: Karel Urbanék, Weston; Arthur F. Bleiweiss, Toronto, both of Canada

[73] Assignee: Dominion Auto Accessories Limited, Toronto, Canada

[**] Term: 14 Years

[21] Appl. No.: 793,898

[22] Filed: May 4, 1977

[51] Int. Cl. D26-06

[52] U.S. Cl. D48/32 R

[58] Field of Search 240/7.1 R, 7.1 C, 7.1 E, 240/8.1 R, 8.2, 8.22, 8.3, 41.55; D48/32 R, 32 A; D10/114; 340/84, 87

[56] References Cited

U.S. PATENT DOCUMENTS

D. 217,638	5/1970	Magi	D48/32 A
3,127,117	3/1964	Mappes	240/8.3
3,187,171	6/1965	Trautner et al.	240/7.1 R
3,448,259	6/1969	Nitsch et al.	240/7.1 R

FOREIGN PATENT DOCUMENTS

248,637	12/1963	Australia	240/41.55
---------	---------	-----------------	-----------

Primary Examiner—Susan J. Lucas
Attorney, Agent, or Firm—Arthur Raisch

[57] CLAIM

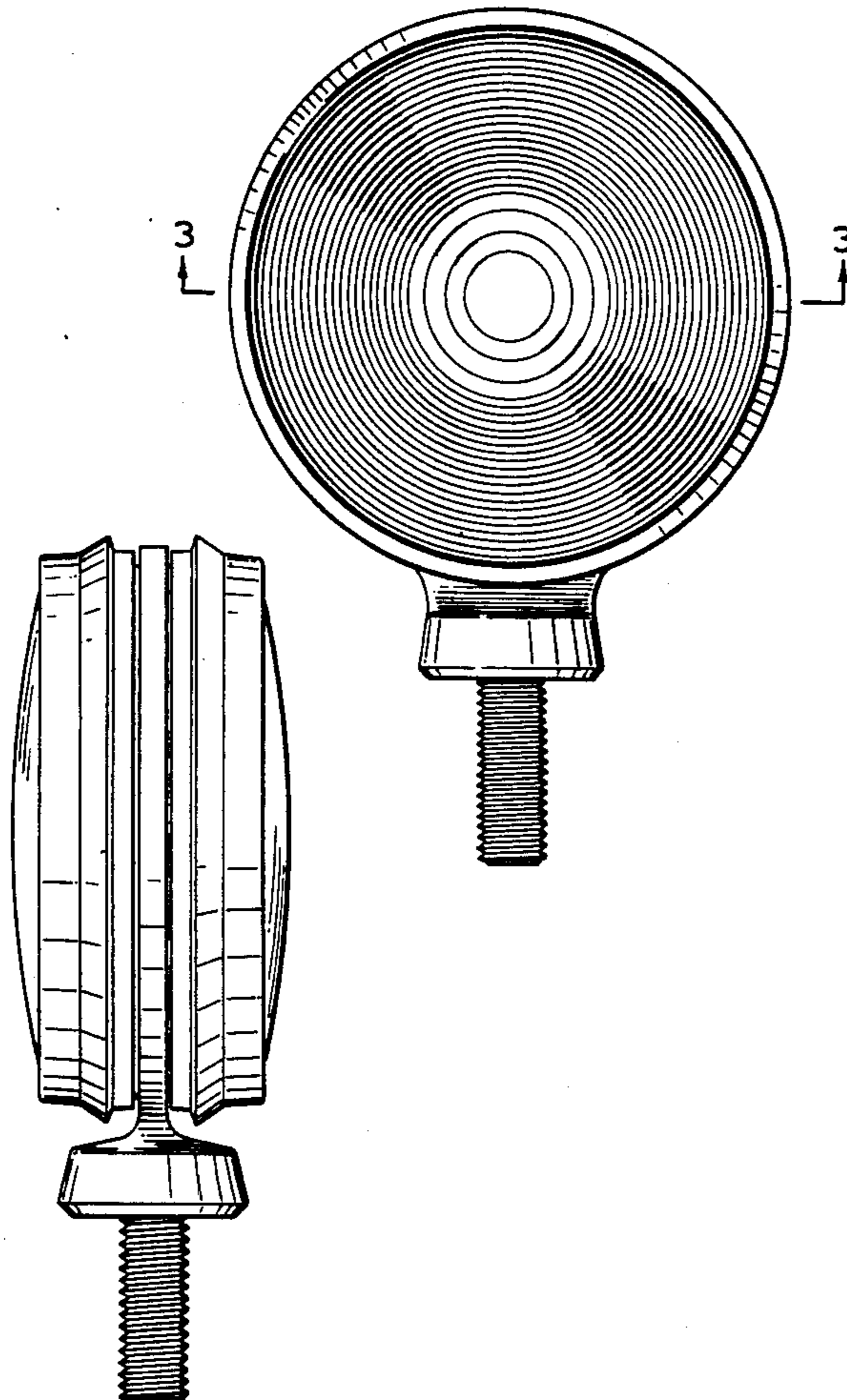
The ornamental design for a warning lamp, as shown and described.

DESCRIPTION

FIG. 1 is a front elevational view of a warning lamp embodying our novel design.

FIG. 2 is a side elevational view of the same.

FIG. 3 is a sectional view taken along the line 3—3 in FIG. 1.



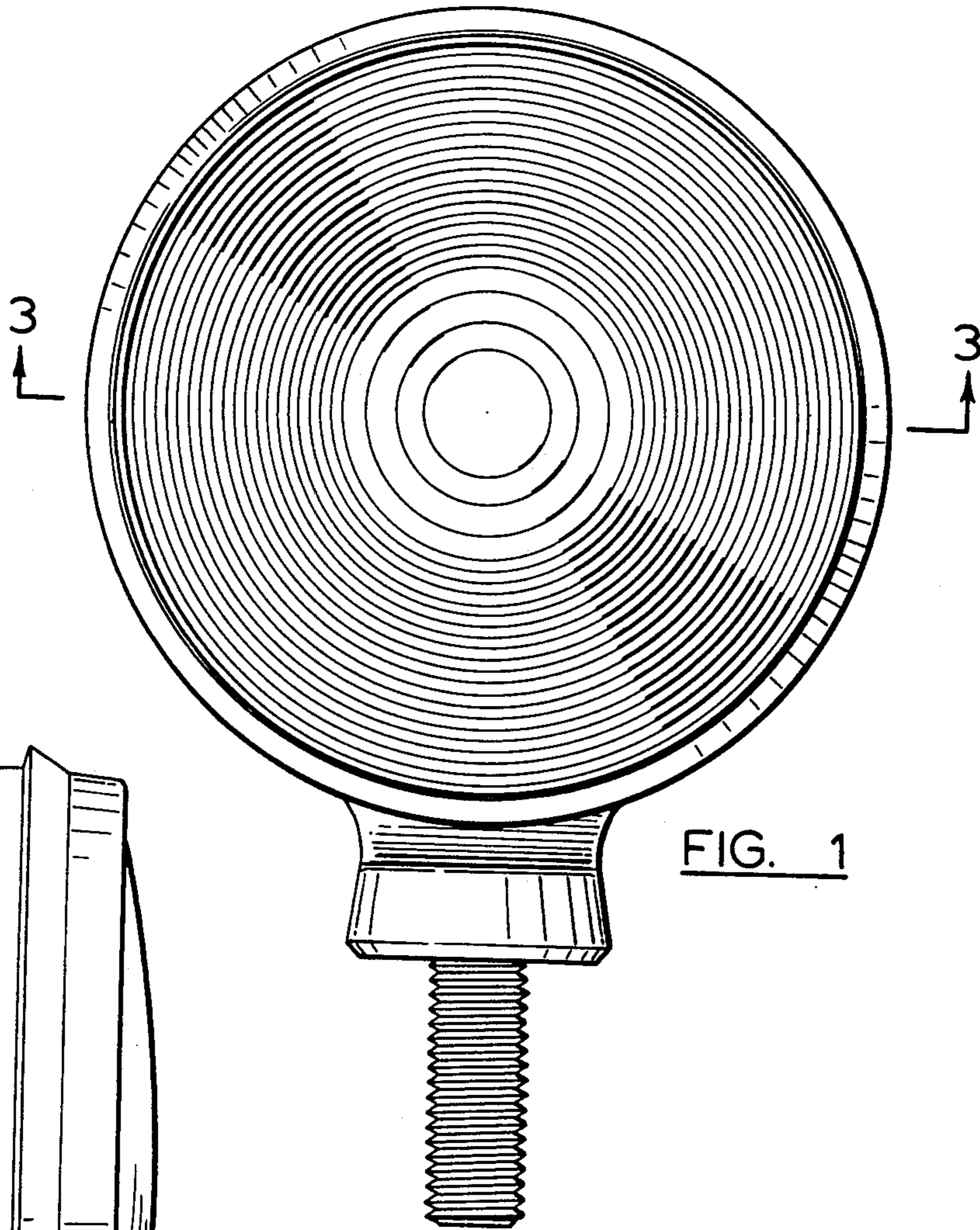


FIG. 1

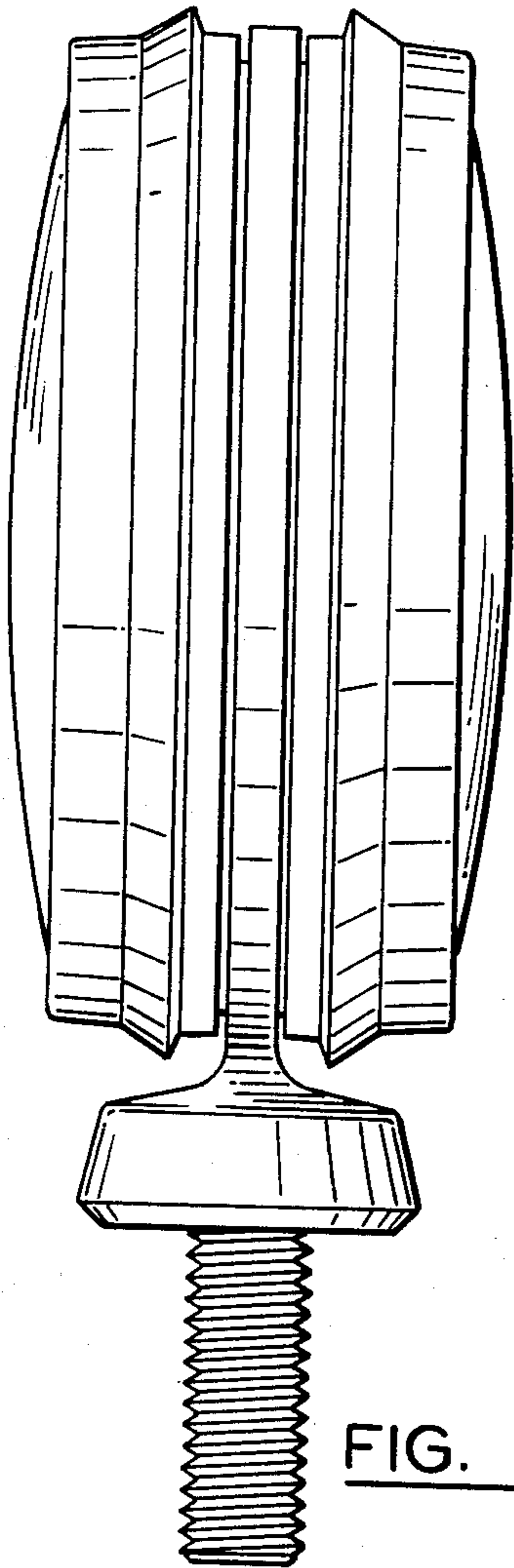


FIG. 2

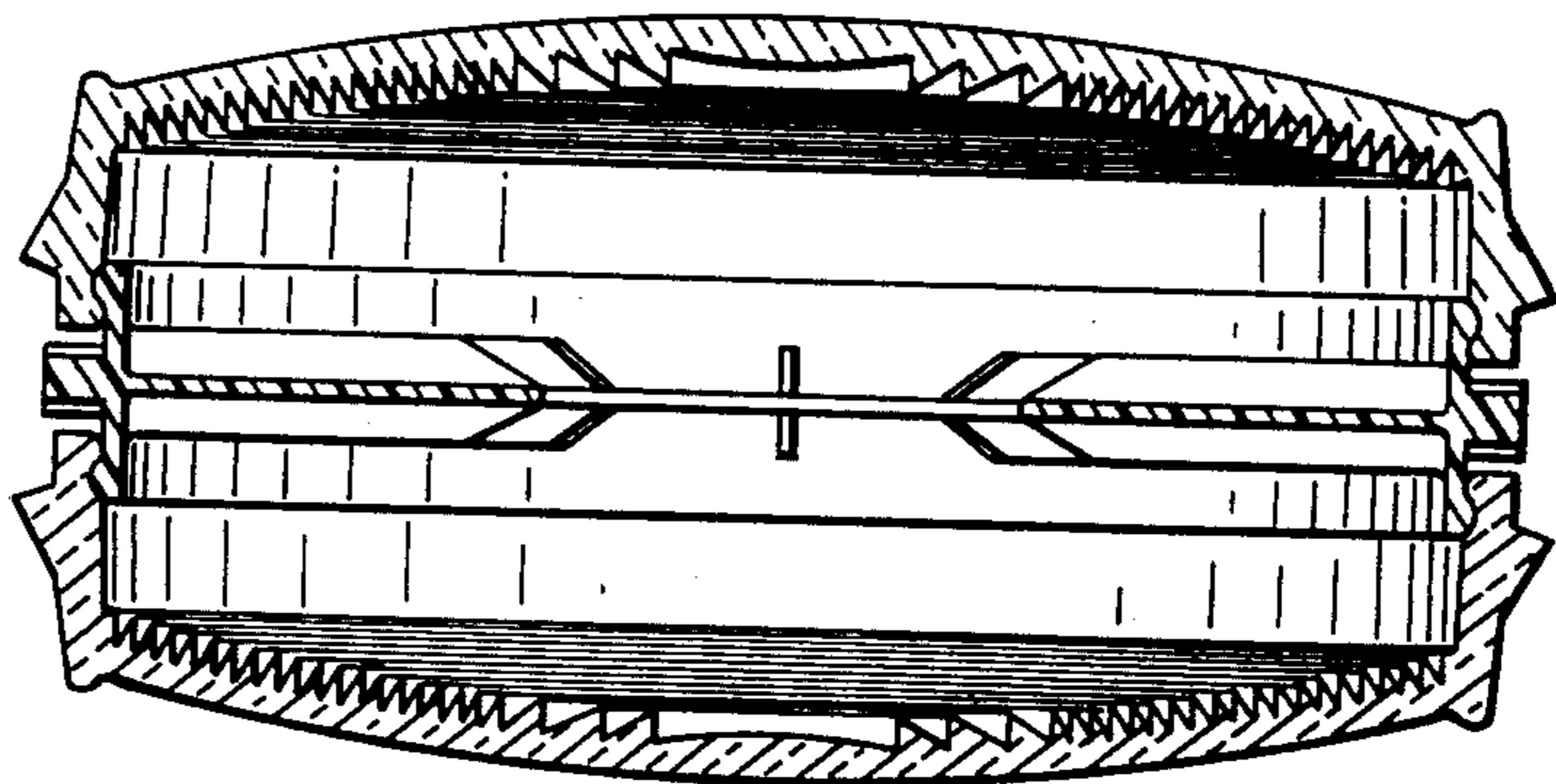


FIG. 3