

[54] COMBINED STOP AND TAIL LAMP LENS

[75] Inventor: Karel Urbanék, Weston, Canada

[73] Assignee: Dominion Auto Accessories Limited,
Toronto, Canada

[**] Term: 14 Years

[21] Appl. No.: 727,976

[22] Filed: Sep. 29, 1976

[51] Int. Cl. D26-06

[52] U.S. Cl. D48/32 A

[58] Field of Search 240/7.1, 7.1 C, 7.1 E,
240/7.1 F, 81 R, 8.2, 8.22, 8.3, 41.4 R, 41.4 D,
106 R, 106.1; D48/32 R, 32 A

[56] References Cited

U.S. PATENT DOCUMENTS

3,208,031 9/1965 Dickson 240/8.3 X
3,246,136 4/1966 Cheng D48/32 R UX

Primary Examiner—Susan J. Lucas
Attorney, Agent, or Firm—Arthur Raisch

[57] CLAIM

The ornamental design for a combined stop and tail lamp lens, as shown and described.

DESCRIPTION

FIG. 1 is a top plan view of a combined stop and tail lamp lens showing my new design.

FIG. 2 is a bottom plan view thereof.

FIG. 3 is a side view thereof.

FIG. 4 is an end view thereof.

FIG. 5 is a sectional view on an enlarged scale taken along the line 5—5 in FIG. 1.

FIG. 6 is a sectional view on an enlarged scale taken along the line 6—6 in FIG. 1.

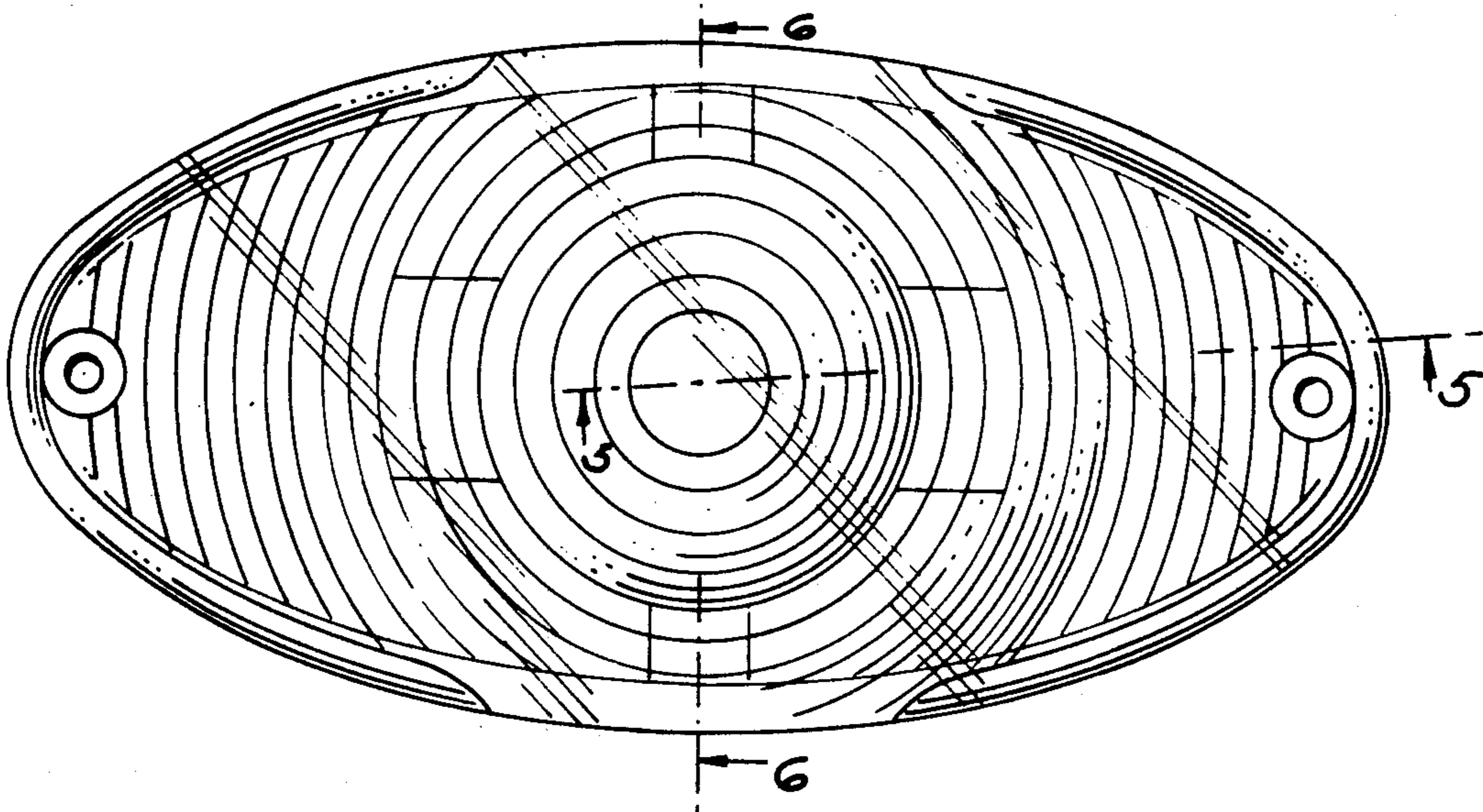


FIG. 1

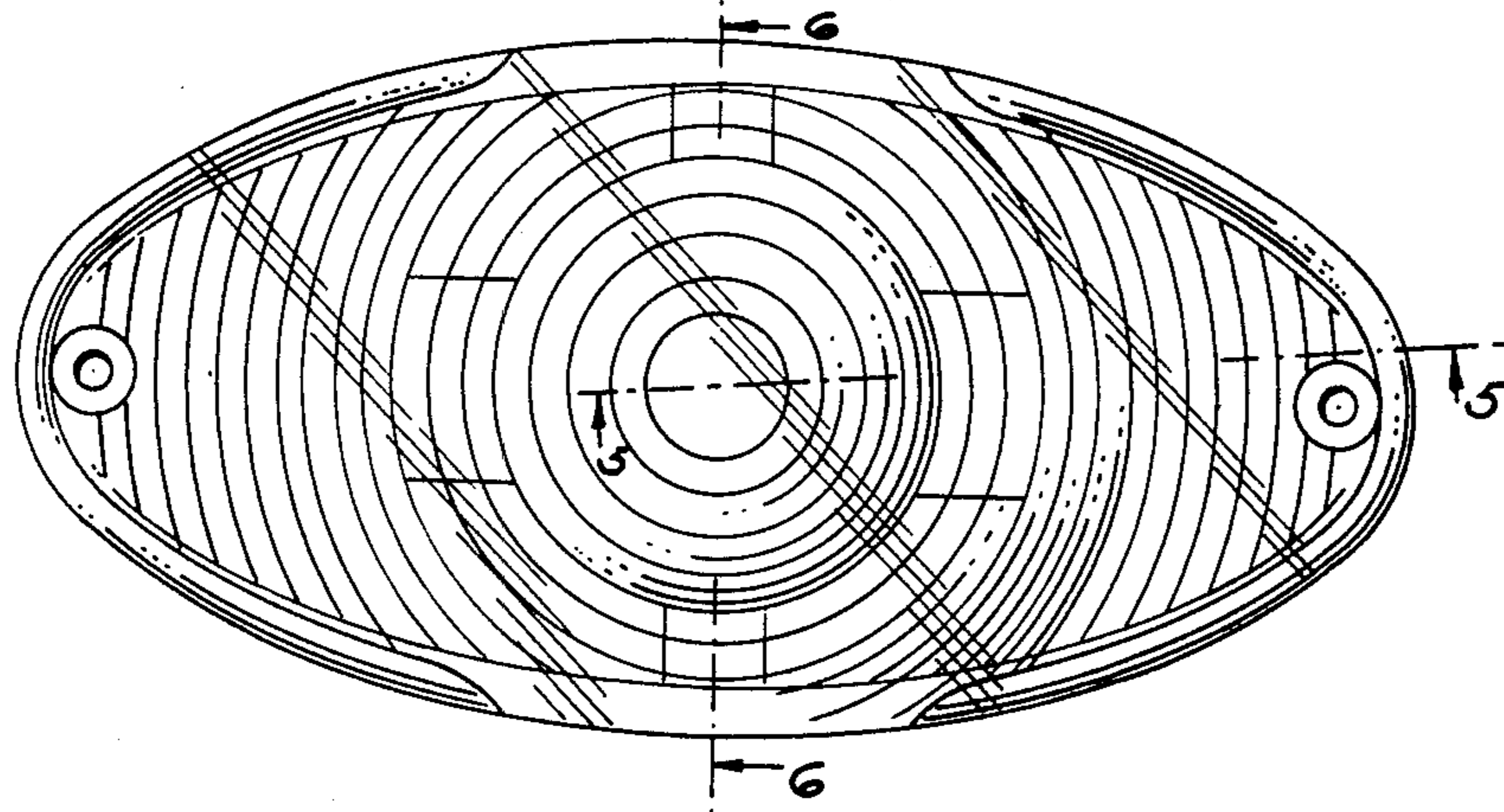


FIG. 2

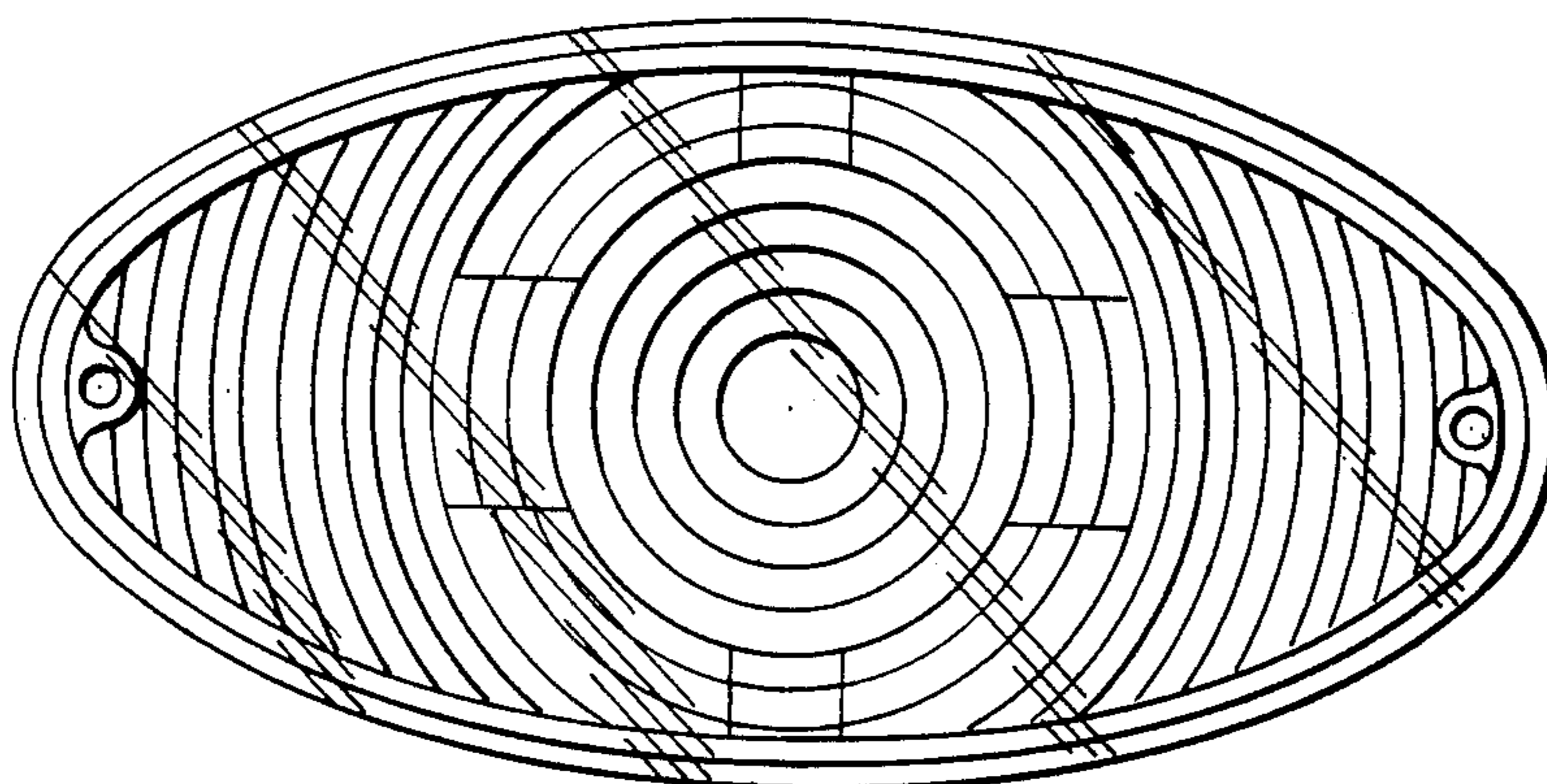


FIG. 3

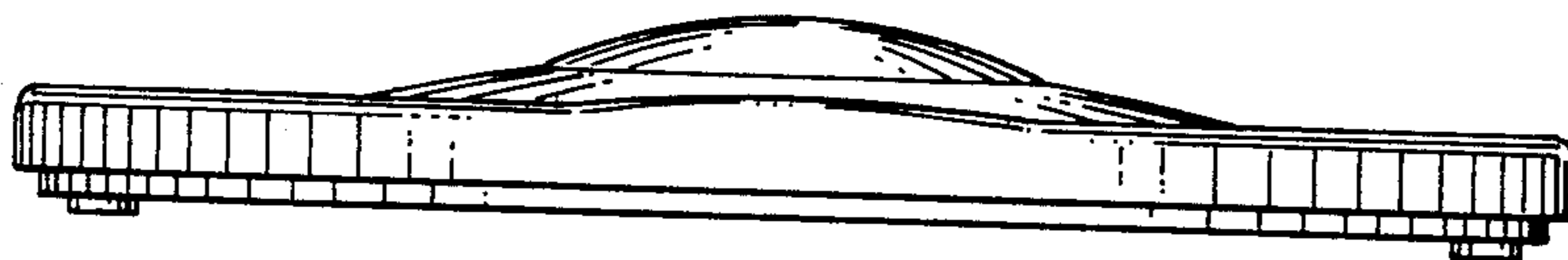


FIG. 4



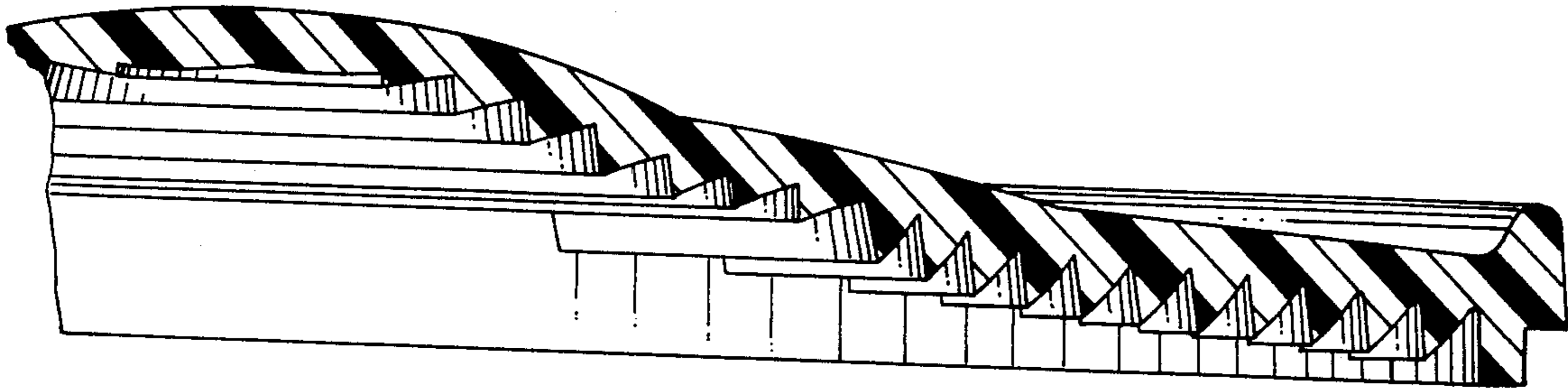


FIG. 5

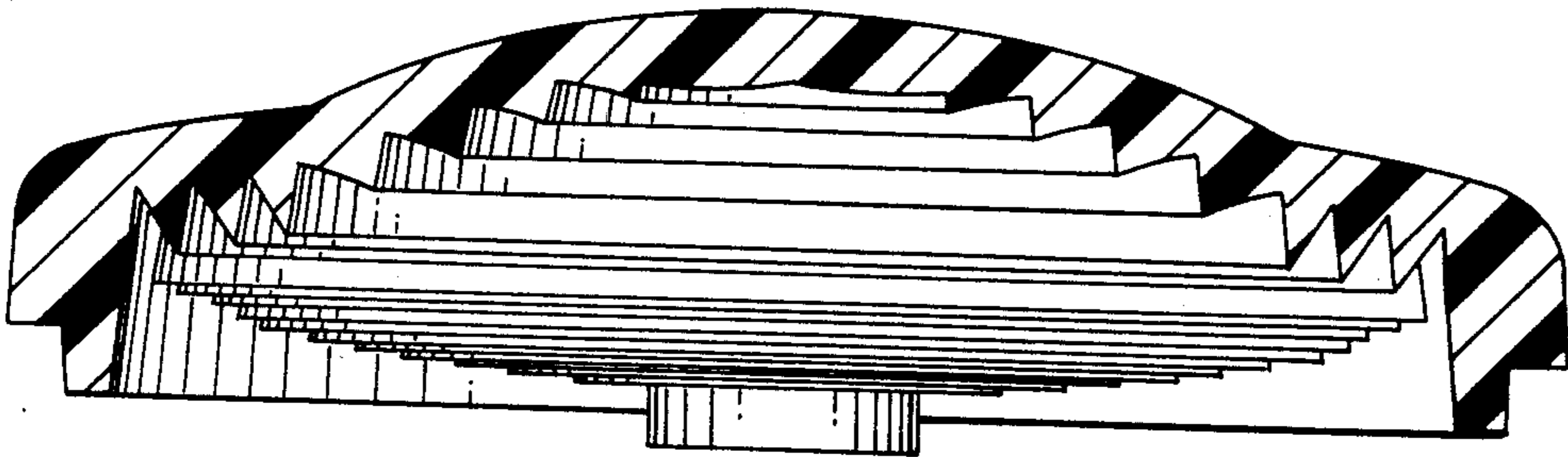


FIG. 6